

PLEASE CHECK WWW.MOLEX.COM FOR LATEST PART INFORMATION

Part Number: [2001991410](#)
Status: **Active**
Overview: [Application Tooling](#)
Description: Extraction Tool for Impulse Daughtercards and Right-Angle Signal Modules, 6-by-16 and 8-by-16

Documents:

[RoHS Certificate of Compliance \(PDF\)](#)

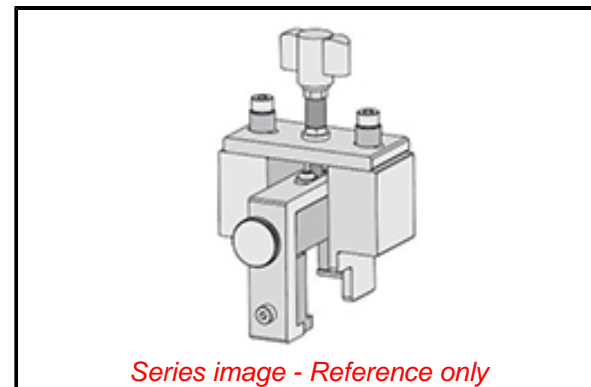
General

| | |
|--------------------------------|---|
| Product Family | Application Tooling |
| Series | 207123 |
| Comments | See Tooling Specification (PDF) Above |
| Function | Extraction |
| Geographic Area | Global |
| Level of Automation | Manual |
| More Detailed Tech Information | applicationtooling@molex.com |
| Overview | Application Tooling |
| Product Name | Impulse |
| Tool Type | Extraction Hand Tool, Press-Fit Extraction Tool |
| UPC | 191130055906 |
| Warranty Disclaimer | CAUTION: Molex tooling crimp specifications are valid only when used with Molex terminals and tooling manufactured by Molex and sold by Molex or authorized distributors ("Molex Tooling"). When using tooling other than Molex Tooling with Molex specific connector systems listed in our ATS documents, the Molex tooling qualification does not apply and the responsibility for full qualification of the connector system is that of the customer. Molex accepts no liability for connector performance or tooling support where tooling other than Molex Tooling is used or where Molex Tooling is modified. |

Material Info

Reference - Drawing Numbers
Application Tooling Documents

2001991410-000



Series image - Reference only

EU ELV

Not Reviewed

EU RoHS

Not Reviewed

REACH SVHC

Not Reviewed

Halogen-Free

Status

Not Reviewed

For more information, please visit [Contact US](#)

China ROHS

Not Reviewed

ELV

Not Reviewed

RoHS Phthalates

Not Reviewed

Search Parts in this Series

[207123 Series](#)

Mouser Electronics

Authorized Distributor

Click to View Pricing, Inventory, Delivery & Lifecycle Information:

[Molex:](#)

[200199-1410](#)