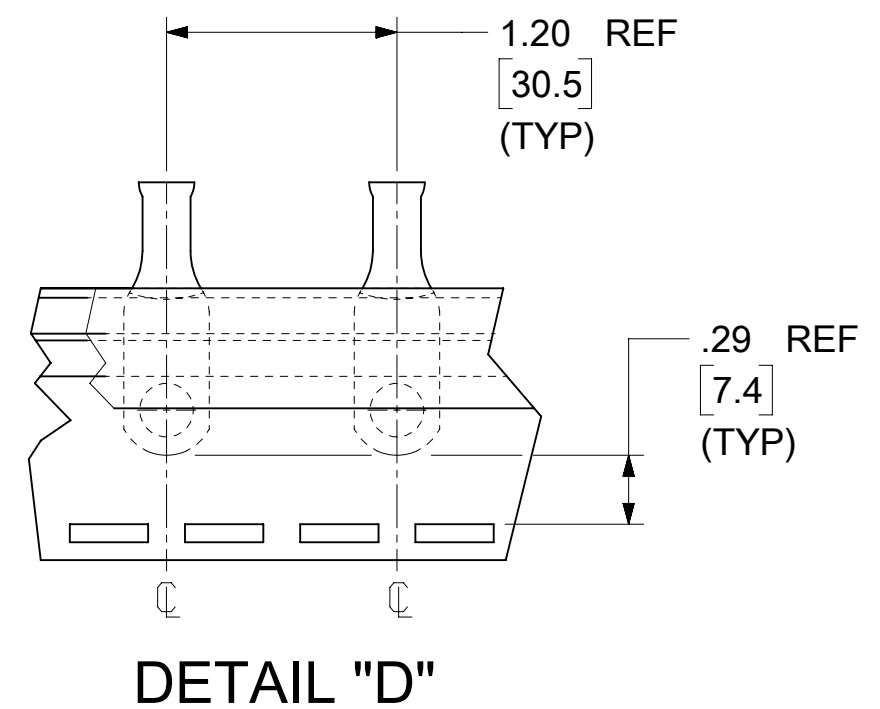
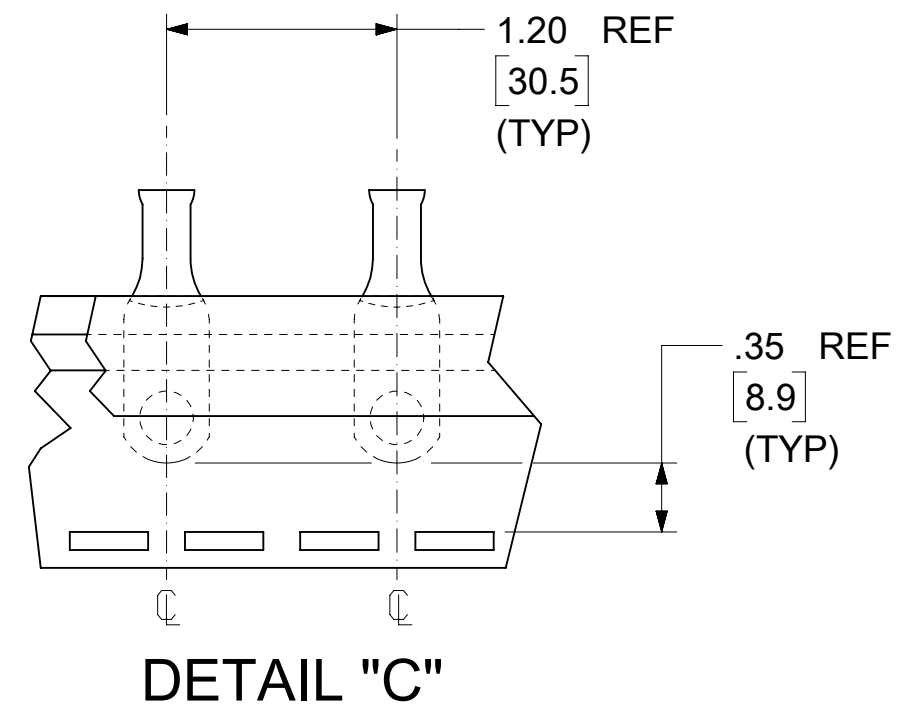
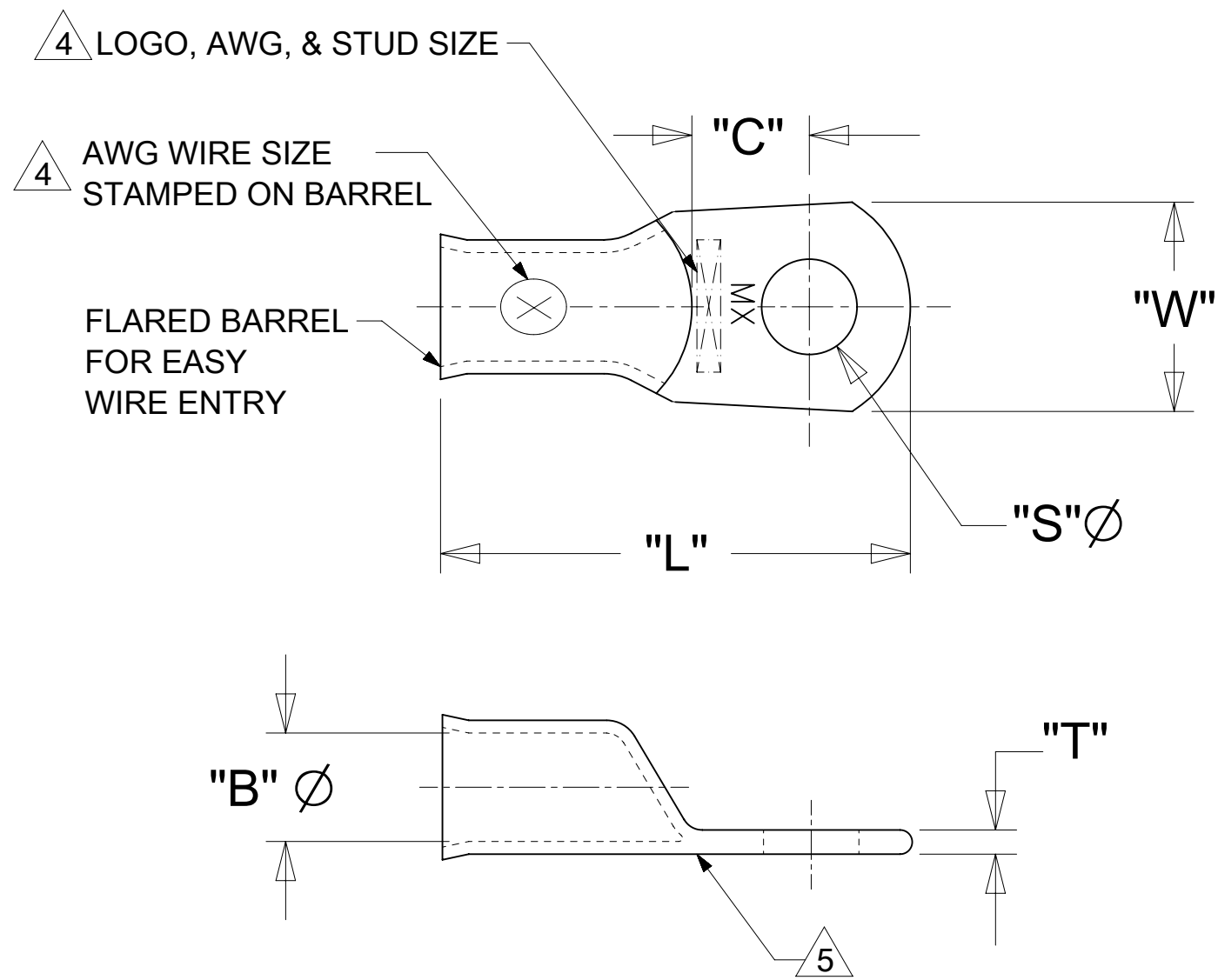


| 12                       | 11                   | 10                         | 9                         | 8                      | 7                         | 6                       | 5                      | 4          | 3         | 2                       | 1              |                |                |                |                |                |
|--------------------------|----------------------|----------------------------|---------------------------|------------------------|---------------------------|-------------------------|------------------------|------------|-----------|-------------------------|----------------|----------------|----------------|----------------|----------------|----------------|
| UNPLATED MATERIAL NUMBER | UNPLATED ENG. NUMBER | UNPLATED MAT'L NO. ON TAPE | UNPLATED ENG. NO. ON TAPE | PLATED MATERIAL NUMBER | PLATED ENGINEERING NUMBER | PLATED MAT. NO. ON TAPE | PLATED ENG. NO ON TAPE | SEE DETAIL | STUD SIZE | WIRE RANGE              | "S" ±.015/0.38 | "L" ±.050/1.27 | "W" ±.035/0.89 | "C" ±.050/1.27 | "B" ±.020/0.51 | "T" ±.030/0.76 |
| 192210451                | BCL-410              | 190820044                  | BCL-410T                  | 192210452              | BCL-410-PL                | 190820048               | BCL-410-PLT            | D          | 10/4.8mm  | 4 AWG/25mm <sup>2</sup> | .214/5.45      | 1.500/38.10    | .531/13.49     | .429/10.90     | .286/7.26      | .080/2.03      |
| 192210404                | BCL-414              | 190820045                  | BCL-414T                  | 192210230              | BCL-414-PL                | 190820049               | BCL-414-PLT            | D          | 1/4"/M6   | 4 AWG/25mm <sup>2</sup> | .278/7.06      | 1.500/38.10    | .531/13.49     | .429/10.90     | .286/7.26      | .080/2.03      |
| 192210405                | BCL-4516             | 190820046                  | BCL-4516T                 | 192210231              | BCL-4516-PL               | 190820025               | BCL-4516-PLT           | D          | 5/16"/M8  | 4 AWG/25mm <sup>2</sup> | .340/8.64      | 1.500/38.10    | .531/13.49     | .429/10.90     | .286/7.26      | .080/2.03      |
| 192210461                | BCL-4516-WP          | 190820050                  | BCL-4516-WPT              | 192210460              | BCL-4516-WP-PL            | 190820052               | BCL-4516-WP-PLT        | D          | 5/16"/M8  | 4 AWG/25mm <sup>2</sup> | .340/8.64      | 1.531/38.89    | .625/15.88     | .397/10.08     | .286/7.26      | .080/2.03      |
| 192210383                | BCL-438              | 190820047                  | BCL-438T                  | 192210232              | BCL-438-PL                | 190820026               | BCL-438-PLT            | D          | 3/8"/M9   | 4 AWG/25mm <sup>2</sup> | .400/10.16     | 1.500/38.10    | .531/13.49     | .429/10.90     | .286/7.26      | .080/2.03      |
| 192210458                | BCL-438-WP           | 190820051                  | BCL-438-WPT               | 192210456              | BCL-438-WP-PL             | 190820027               | BCL-438-WP-PLT         | D          | 3/8"/M9   | 4 AWG/25mm <sup>2</sup> | .400/10.16     | 1.531/38.89    | .625/15.88     | .397/10.08     | .286/7.26      | .080/2.03      |
| 192210459                | BCL-438-XWP          | 190820053                  | BCL-438-XWPT              | 192210457              | BCL-438-XWP-PL            | 190820055               | BCL-438-XWP-PLT        | D          | 3/8"/M9   | 4 AWG/25mm <sup>2</sup> | .400/10.16     | 1.688/42.88    | .766/19.46     | .444/11.28     | .286/7.26      | .100/2.54      |
| 192210453                | BCL-412-XWP          | 190820054                  | BCL-412-XWPT              | 192210454              | BCL-412-XWP-PL            | 190820056               | BCL-412-XWPT-PLT       | D          | 1/2"/M12  | 4 AWG/25mm <sup>2</sup> | .520/13.21     | 1.688/42.88    | .766/19.46     | .444/11.28     | .286/7.26      | .100/2.54      |
| 192210419                | BCL-214              | 190820057                  | BCL-214T                  | 192210418              | BCL-214-PL                | 190820001               | BCL-214-PLT            | C          | 1/4"/M6   | 2 AWG/35mm <sup>2</sup> | .278/7.06      | 1.625/41.28    | .625/15.88     | .437/11.10     | .336/8.53      | .095/2.41      |
| 192210400                | BCL-2516             | 190820058                  | BCL-2516T                 | 192210233              | BCL-2516-PL               | 190820002               | BCL-2516-PLT           | C          | 5/16"/M8  | 2 AWG/35mm <sup>2</sup> | .340/8.64      | 1.625/41.28    | .625/15.88     | .437/11.10     | .336/8.53      | .095/2.41      |
| 192210380                | BCL-238              | 190820059                  | BCL-238T                  | 192210235              | BCL-238-PL                | 190820030               | BCL-238-PLT            | C          | 3/8"/M9   | 2 AWG/35mm <sup>2</sup> | .400/10.16     | 1.625/41.28    | .625/15.88     | .437/11.10     | .336/8.53      | .095/2.41      |
| 192210564                | BCL-238-WP           | 190820060                  | BCL-238-WPT               | 192210565              | BCL-238-WP-PL             | 190820060               | BCL-238-WPT            | C          | 3/8"/M9   | 2 AWG/35mm <sup>2</sup> | .400/10.16     | 1.750/44.45    | .750/19.05     | .474/12.04     | .336/8.53      | .095/2.41      |
| 192210399                | BCL-212-WP           | 190820061                  | BCL-212-WPT               | 192210236              | BCL-212-WP-PL             | 190820063               | BCL-212-WP-PLT         | C          | 1/2"/M12  | 2 AWG/35mm <sup>2</sup> | .520/13.21     | 1.750/44.45    | .750/19.05     | .474/12.04     | .336/8.53      | .095/2.41      |
| 192210594                | BCL-110              | ----                       | -----                     | 192210595              | BCL-110-PL                | ----                    | -----                  | ---        | 10/4.8mm  | 1 AWG/50mm <sup>2</sup> | .214/5.45      | 1.718/43.64    | .656/16.66     | .446/11.33     | .360/9.14      | .100/2.54      |
| 192210421                | BCL-114              | ----                       | -----                     | 192210420              | BCL-114-PL                | ----                    | -----                  | ---        | 1/4"/M6   | 1 AWG/50mm <sup>2</sup> | .278/7.06      | 1.718/43.64    | .656/16.66     | .446/11.33     | .360/9.14      | .100/2.54      |
| 192210396                | BCL-1516             | ----                       | -----                     | 192210237              | BCL-1516-PL               | ----                    | -----                  | ---        | 5/16"/M8  | 1 AWG/50mm <sup>2</sup> | .340/8.64      | 1.718/43.64    | .656/16.66     | .446/11.33     | .360/9.14      | .100/2.54      |
| 192210378                | BCL-138              | ----                       | -----                     | 192210238              | BCL-138-PL                | ----                    | -----                  | ---        | 3/8"/M9   | 1 AWG/50mm <sup>2</sup> | .400/10.16     | 1.718/43.64    | .656/16.66     | .446/11.33     | .360/9.14      | .100/2.54      |
| 192210580                | BCL-138-WP           | ----                       | -----                     | 192210581              | BCL-138-WP-PL             | ----                    | -----                  | ---        | 3/8"/M9   | 1 AWG/50mm <sup>2</sup> | .400/10.16     | 1.844/46.84    | .750/19.05     | .474/12.04     | .360/9.14      | .100/2.54      |
| 192210395                | BCL-112              | ----                       | -----                     | 192210239              | BCL-112-PL                | ----                    | -----                  | ---        | 1/2"/M12  | 1 AWG/50mm <sup>2</sup> | .520/13.21     | 1.844/46.84    | .750/19.05     | .474/12.04     | .360/9.14      | .100/2.54      |



- NOTES:
- FOR INSPECTION SIGHT HOLE, PLEASE CONSULT FACTORY.
  - OTHER STUD SIZES MAY BE AVAILABLE, PLEASE CONSULT FACTORY.
  - MATERIAL: COPPER  
PLATING: TIN
  - MARKINGS CAN BE AT EITHER LOCATION SHOWN.
  - IF TONGUE IS TO BE BENT AT ANY ANGLE, IT MUST BE BENT AROUND A RADIUS ONE HALF THE TONGUE THICKNESS.
  - ALL PARTS ARE ROHS COMPLIANT.

|   |  |       |  |  |  |                        |  |                          |  |   |  |
|---|--|-------|--|--|--|------------------------|--|--------------------------|--|---|--|
| THIS DRAWING CONTAINS INFORMATION THAT IS PROPRIETARY TO MOLEX ELECTRONIC TECHNOLOGIES, LLC AND SHOULD NOT BE USED WITHOUT WRITTEN PERMISSION |  |       |  |  |  |                        |  |                          |  |   |  |
| DIMENSION UNITS   |  | SCALE |  | CURRENT REV DESC: ADD/UPDATE 19082**** BCL P/N'S ON TAPE |  |                        |  |                          |  |   |  |
| IN/MM   |  | NTS   |  |  |  |                        |  |                          |  |   |  |
| GENERAL TOLERANCES (UNLESS SPECIFIED)   |  |       |  | EC NO: 666850  |  | DRWN: DMYRICK          |  | 2021/06/14               |  | EYELET STYLE<br>COPPER TERMINALS 4, 2, & 1 AWG LUGS |  |
|   |  |       |  | CHK'D: JMACNEIL  |  | 2021/06/16             |  |                          |  |   |  |
| 4 PLACES ±  |  |       |  | APPR: JMACNEIL   |  | 2021/06/16             |  | PRODUCT CUSTOMER DRAWING |  |   |  |
| 3 PLACES ±  |  |       |  | INITIAL REVISION:  |  |                        |  |                          |  |   |  |
| 2 PLACES ±  |  |       |  | DRWN: BE   |  | 2002/06/26             |  | DOCUMENT NUMBER          |  | DOC TYPE   DOC PART   REVISION                      |  |
| 1 PLACE ±   |  |       |  | APPR: RD   |  | 2002/06/26             |  | SD-19221-010             |  | PSD 001 C4  |  |
| 0 PLACES ±  |  |       |  | DRAFT WHERE APPLICABLE MUST REMAIN WITHIN DIMENSIONS     |  | THIRD ANGLE PROJECTION |  | DRAWING                  |  | SERIES  |  |
| ANGULAR TOL ± °   |  |       |  | C-SIZE   |  | 19221                  |  | MATERIAL NUMBER          |  | CUSTOMER  |  |
|   |  |       |  | SEE CHART  |  | GENERAL MARKET         |  | SHEET NUMBER             |  |   |  |
|   |  |       |  |  |  |                        |  | 1 OF 1                   |  |   |  |

# Mouser Electronics

Authorized Distributor

Click to View Pricing, Inventory, Delivery & Lifecycle Information:

[Molex:](#)

[19221-0756](#)