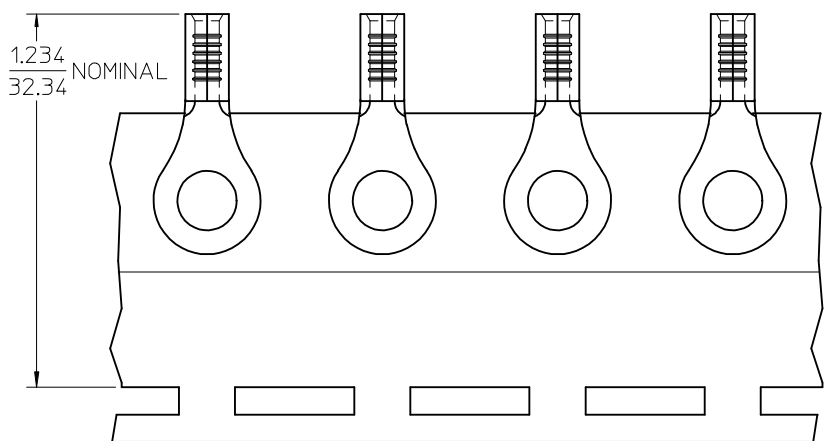
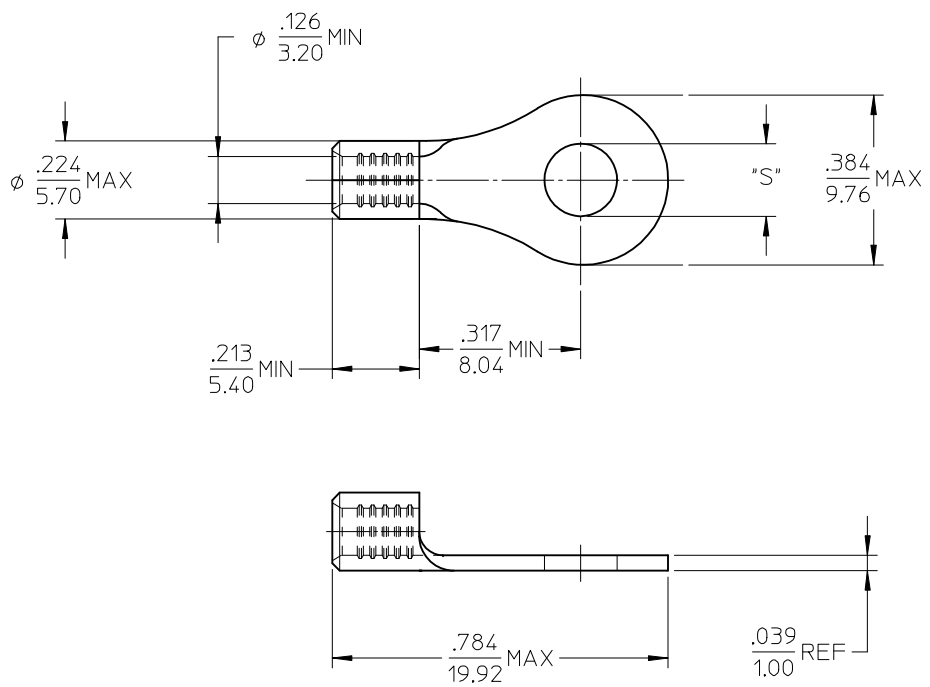


MATERIAL NO.	ENG. NO.	STUD SIZE	"S" MAX	DESCRIPTION
192030389	C-S-128-10	10	.212/5.38	LOOSE
192030094	C-S-128-10T	10	.212/5.38	TAPE



PARTS ON TAPE

- NOTE(S):
1. MATERIAL: STEEL
 2. WIRE SIZE: 12-10 AWG (4.0-6.0 MM²)
 3. FINISH: NICKEL PLATING
 4. PART IS ROHS COMPLIANT.
 5. AMBIENT OPERATING TEMPERATURE UP TO 900 °F (483 °C).

ADDED OPERATING TEMP EC NO: ETC2007-0297 DRW:HEHLE 2007/03/13 CHKD:JMACNEIL 2007/03/13 APPR:JMACNEIL 2007/03/14	QUALITY SYMBOLS ▽=0 ▽=0	GENERAL TOLERANCES (UNLESS SPECIFIED)		DIMENSION STYLE IN/MM	SCALE 4:1	DESIGN UNITS INCH	THIRD ANGLE PROJECTION	
		4 PLACES ± --- ± ---	3 PLACES ± --- ± ---	2 PLACES ± --- ± ---	1 PLACE ± --- ± ---	DRAWN BY DMYRICK	DATE 2005/04/06	TITLE RING TONGUE TERMINAL, 12-10 AWG, KRIMPTITE, 900 DEG F (483 DEG C)
		ANGULAR ± --- °				CHECKED BY RDEROSS	DATE 2005/04/06	
		DRAFT WHERE APPLICABLE MUST REMAIN WITHIN DIMENSIONS				APPROVED BY RDEROSS	DATE 2005/04/06	MATERIAL NO. SEE CHART
				SIZE B	THIS DRAWING CONTAINS INFORMATION THAT IS PROPRIETARY TO MOLEX INCORPORATED AND SHOULD NOT BE USED WITHOUT WRITTEN PERMISSION			

Mouser Electronics

Authorized Distributor

Click to View Pricing, Inventory, Delivery & Lifecycle Information:

[Molex:](#)

[19203-0330](#)