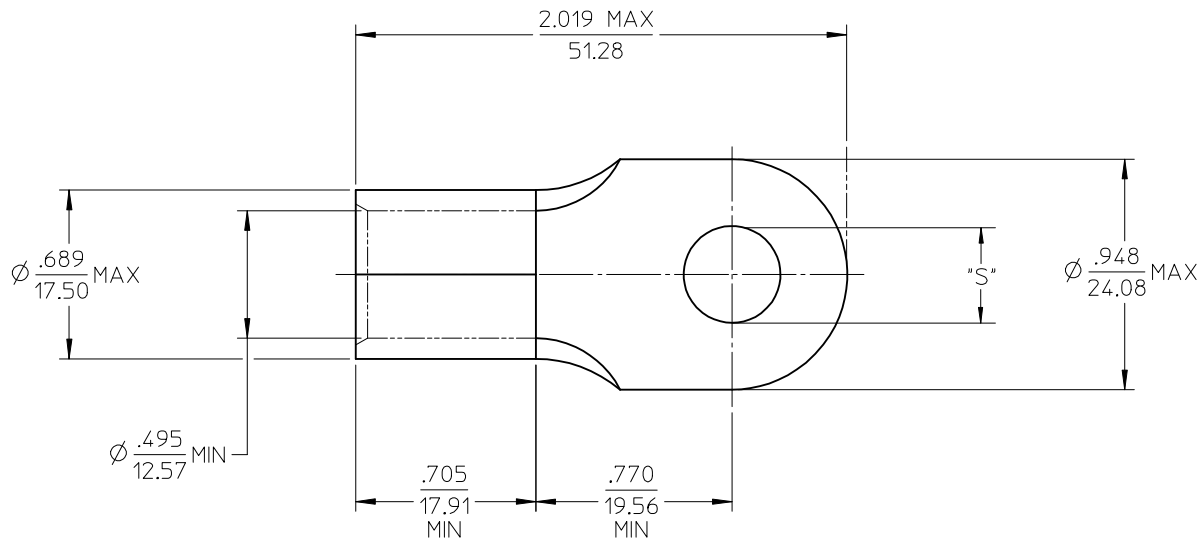


MATERIAL NO. LOOSE PIECE	ENG. NO.	STUD SIZE	±.003 "S"	STOCK THICKNESS
191930342	J-385-14	1/4	.265	.083 (2.11)
191930346	J-385-56	5/16	.328	
191930345	J-385-38	3/8	.390	
191930348	J-385-76	7/16	.453	
191930341	J-385-12	1/2	.515	



SALES DRAWING

NOTE(S):

1. MATERIAL: COPPER
2. PLATING: ELECTROPLATE TIN
3. ALL DIMENSIONS IN INCHES/(MM).
4. WIRE SIZE: 2/0 AWG
70 MM²

REVISED/UPDATE TO MX STDS EC NO: ETC2003-0315 DRWN: DMYRICK 2003/08/20 CHKD: HEB 2003/08/21 APPR: RDEROSS 2003/08/21	QUALITY SYMBOLS	GENERAL TOLERANCES (UNLESS SPECIFIED)	SCALE 2:1	DESIGN UNITS INCH	THIRD ANGLE PROJECTION	REVISE ON CAD ONLY																								
	▼ - 0 ∇ - 0	<table border="1"> <thead> <tr> <th></th> <th>mm</th> <th>INCH</th> </tr> </thead> <tbody> <tr> <td>4 PLACES</td> <td>± ---</td> <td>± ---</td> </tr> <tr> <td>3 PLACES</td> <td>± ---</td> <td>± .005</td> </tr> <tr> <td>2 PLACES</td> <td>± 0.13</td> <td>± .01</td> </tr> <tr> <td>1 PLACE</td> <td>± 0.25</td> <td>± ---</td> </tr> </tbody> </table>		mm	INCH	4 PLACES	± ---	± ---	3 PLACES	± ---	± .005	2 PLACES	± 0.13	± .01	1 PLACE	± 0.25	± ---	<table border="1"> <thead> <tr> <th colspan="2">DIMENSION STYLE</th> </tr> <tr> <th>IN/MM</th> <th>TITLE</th> </tr> </thead> <tbody> <tr> <td>DRAWN BY DLM</td> <td>DATE 03/06/13</td> </tr> <tr> <td>CHECKED BY HEB</td> <td>DATE 03/06/13</td> </tr> <tr> <td>APPROVED BY RWD</td> <td>DATE 03/06/13</td> </tr> </tbody> </table>	DIMENSION STYLE		IN/MM	TITLE	DRAWN BY DLM	DATE 03/06/13	CHECKED BY HEB	DATE 03/06/13	APPROVED BY RWD	DATE 03/06/13	RING TONGUE TERMINAL VERSAKRIMP 2/0 AWG	
			mm	INCH																										
	4 PLACES	± ---	± ---																											
3 PLACES	± ---	± .005																												
2 PLACES	± 0.13	± .01																												
1 PLACE	± 0.25	± ---																												
DIMENSION STYLE																														
IN/MM	TITLE																													
DRAWN BY DLM	DATE 03/06/13																													
CHECKED BY HEB	DATE 03/06/13																													
APPROVED BY RWD	DATE 03/06/13																													
DRAFT WHERE APPLICABLE MUST REMAIN WITHIN DIMENSIONS		THIS DRAWING CONTAINS INFORMATION THAT IS PROPRIETARY TO MOLEX INCORPORATED AND SHOULD NOT BE USED WITHOUT WRITTEN PERMISSION		MOLEX INCORPORATED MATERIAL NO. (SEE CHART) DOCUMENT NO. SD-19193-009 SHEET NO. 1 OF 1																										

Mouser Electronics

Authorized Distributor

Click to View Pricing, Inventory, Delivery & Lifecycle Information:

[Molex:](#)

[19193-0895](#)