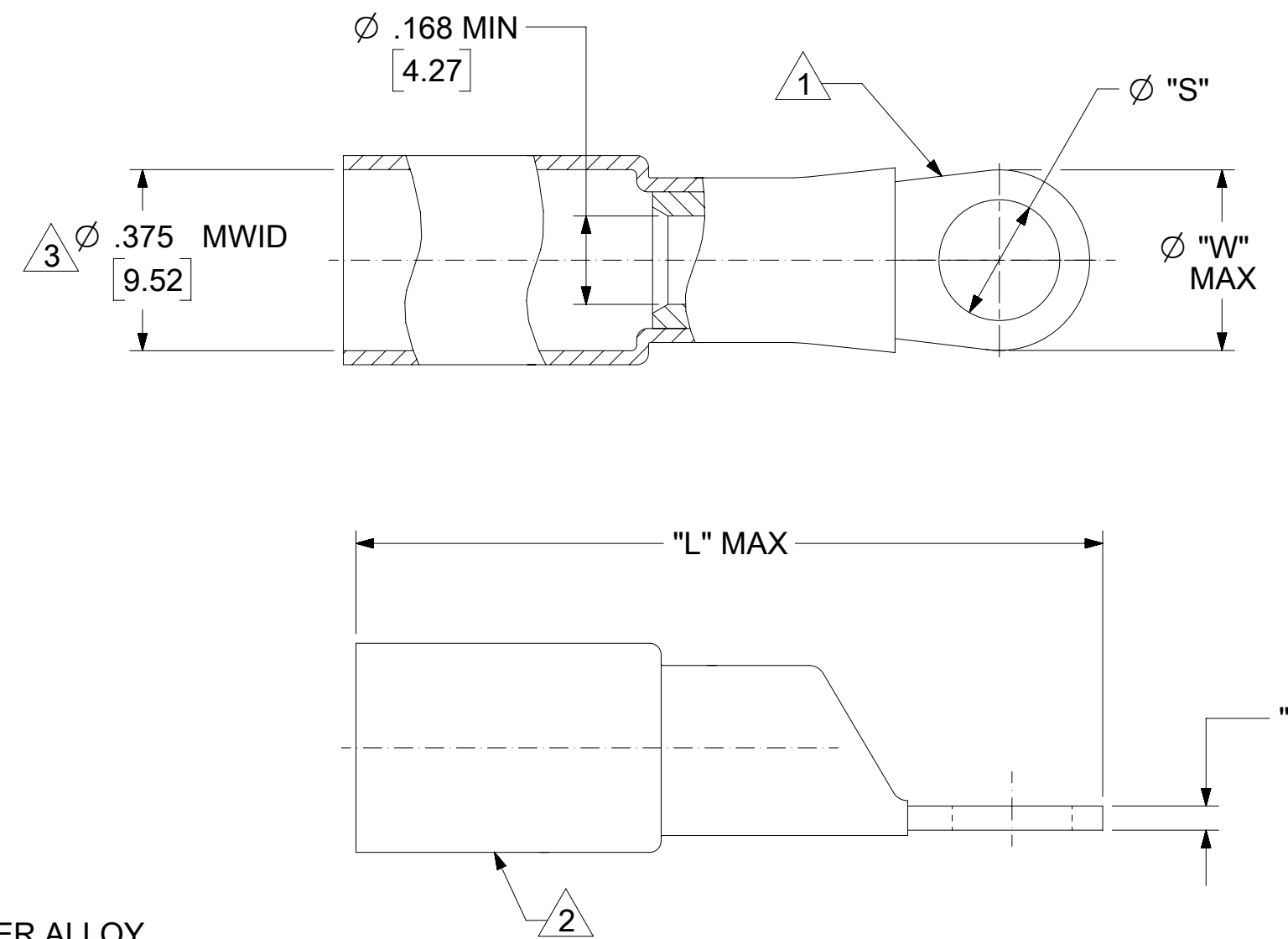


MAT'L NO.	ENG. NO.	STUD SIZE	"S" ±.010 (0.25)	"W" MAX	"L" MAX	"T" REF
191640889	SD-656-08	#8	.173 (4.39)	.38 (9.7)	1.60 (40.6)	.045 (1.14)
191640080	SD-656-10	#10	.198 (5.03)			
191640081	SD-651-14	1/4	.265 (6.73)			
191640083	SD-651-56	5/16	.328 (8.33)	.60 (15.2)	1.79 (45.5)	
191640082	SD-652-38	3/8	.390 (9.91)	.82 (20.8)	2.05 (52.1)	.050 (1.27)
191640839	SD-652-76	7/16	.453 (11.51)			
191640457	SD-652-12	1/2	.515 (13.08)			



NOTE(S):

1 TERMINAL MATERIAL: COPPER ALLOY
FINISH: ELECTRO-TIN PLATE

2 INSUL. MATERIAL: HEAT SHRINKABLE TUBING WITH HOTMELT
ADHESIVE INNER LINER
COLOR: RED

3 MWID = MAXIMUM WIRE INSULATION DIAMETER.

4. ASSEMBLY IS RoHS COMPLIANT.

SYMBOLS		THIS DRAWING CONTAINS INFORMATION THAT IS PROPRIETARY TO MOLEX ELECTRONIC TECHNOLOGIES, LLC AND SHOULD NOT BE USED WITHOUT WRITTEN PERMISSION	
DIMENSION UNITS	SCALE	CURRENT REV DESC: MIGRATE TO NX & UPDATE NOTES	
INCH/MM	NTS	EC NO: 632141 DRWN: DMYRICK 2020/02/12 CHK'D: JMACNEIL 2020/02/13 APPR: JMACNEIL 2020/02/13	
GENERAL TOLERANCES (UNLESS SPECIFIED)			
4 PLACES ±	MM INCH	INITIAL REVISION: DRWN: DBUNNELL 2000/09/06 APPR: RDEROSS 2000/09/13	
3 PLACES ±			
2 PLACES ±		DOCUMENT NUMBER: SD-19164-023 DOC TYPE: PSD DOC PART: 001 REVISION: H2	
1 PLACE ±			
0 PLACES ±		MATERIAL NUMBER: SEE CHART CUSTOMER: GENERAL MARKET SHEET NUMBER: 1 OF 1	
ANGULAR TOL ± °			
DRAFT WHERE APPLICABLE MUST REMAIN WITHIN DIMENSIONS	THIRD ANGLE PROJECTION	DRAWING: B-SIZE	SERIES: 19164

Mouser Electronics

Authorized Distributor

Click to View Pricing, Inventory, Delivery & Lifecycle Information:

[Molex:](#)

[19164-0839](#)