

NOTES:

- ① MAT'L: COPPER (STOCK TRN. $\frac{.040}{1.02}$)
PLATING: ELECTRO TIN (.0003 MIN)
- ② TIN-PLATED BRASS FUNNEL: FERRULE

$\pm .001$

FILE NO. C-CD-401-01

STUD SIZES: ($\pm .005$)

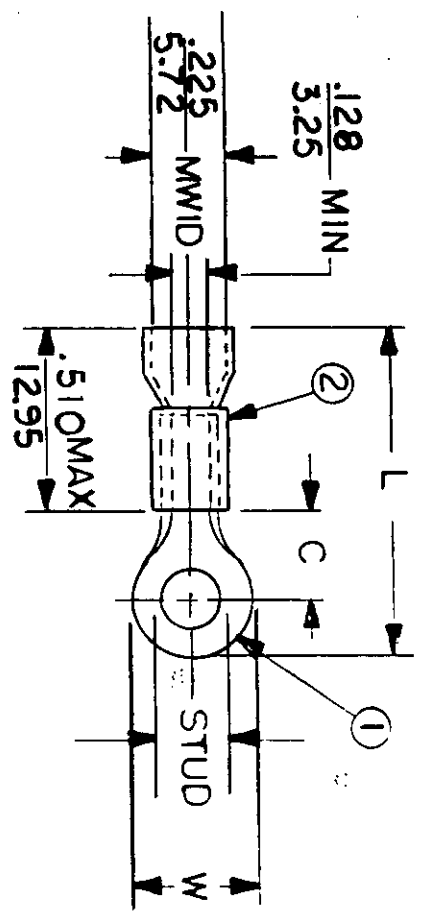
02 = .094	413 = 413
04 = .119	76 = 453
06 = .146	12 = 515
08 = .173	
10 = .198	
14 = .265	
56 = .328	
38 = .390	
209 = .209	

"UL" LISTING # E32244
"CSA" LISTING # 18689

WIRE SIZE: 12-10AWG
4.0-6.0 MM²

ALL DIMENSIONS = $\frac{\text{INCHES}}{\text{MM}}$

(MWID) DENOTES MAXIMUM WIRE INSULATION DIAMETER



PART NUMBER	"W" $\pm .010$	"C" MIN.	"L" MAX.	REFERENCE		SCALE	NTS	DATE	TITLE	DWG. NO.	A	CUSTOMER DWG
				MIN.	MAX.							
C-401-	.750	.611	1.531									
	$\frac{19.05}{.375}$	$\frac{15.52}{.303}$	$\frac{38.89}{1.036}$									
C-428-	$\frac{9.53}{.375}$	$\frac{7.70}{.303}$	$\frac{26.31}{1.036}$									
C-430-	$\frac{5.30}{13.46}$	$\frac{9.98}{.306}$	$\frac{30.56}{1.203}$									
	$\frac{2.82}{7.16}$	$\frac{7.77}{.306}$	$\frac{25.20}{.992}$									
C-436-	$\frac{.592}{15.04}$	$\frac{4.68}{11.84}$	$\frac{1.307}{3.320}$									
C-440-												



RING TONGUE
TERMINAL
VIBRAKRIMP
400-SERIES

DIMENSIONAL TOLERANCES
UNLESS OTHERWISE SPECIFIED

FRAC. DEC. ANG.

\pm \pm

CHKD. BY: GZ
APPRD. BY:

SCALE: NTS
DRAWN BY: JJ
CHKD. BY: GZ

DATE: 11-19-84
11-26-84

Mouser Electronics

Authorized Distributor

Click to View Pricing, Inventory, Delivery & Lifecycle Information:

[Molex:](#)

[19072-0111](#)