

NOTES:

- ① MAT'L: COPPER (STOCK TRN. $\frac{.040}{1.02}$)
PLATING: ELECTRO TIN (.0003 MIN)
- ② TIN-PLATED BRASS FUNNEL: FERRULE

$\pm .001$

FILE NO. C-CD-401-01

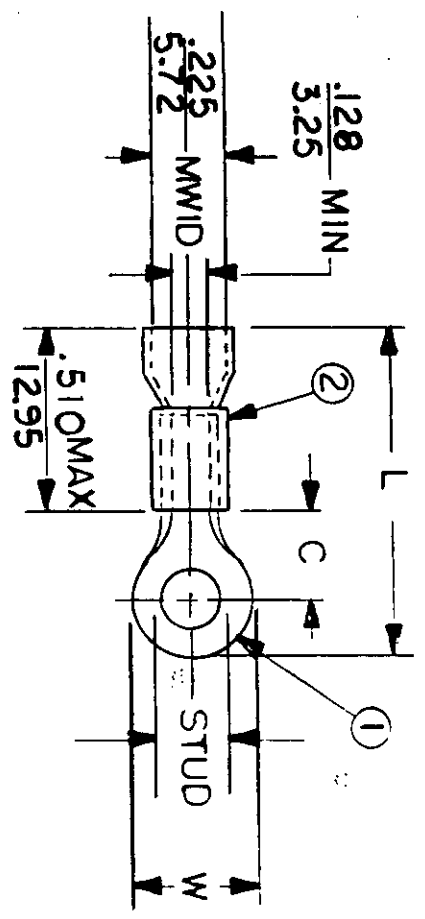
STUD SIZES: ($\pm .005$)

02 = .094	413 = 413
04 = .119	76 = 453
06 = .146	12 = 515
08 = .173	
10 = .198	
14 = .265	
56 = .328	
38 = .390	
209 = .209	

"UL" LISTING # E32244
"CSA" LISTING # 18689

WIRE SIZE: 12-10AWG
4.0-6.0 MM²

ALL DIMENSIONS = INCHES (M/WID) DENOTES MAXIMUM WIRE INSULATION DIAMETER



PART NUMBER	"W" $\pm .010$	"C" MIN.	"L" MAX.	AVAILAABLE STUD SIZES
C-401-	.750	.611	1.531	14, 56, 38, 76, 12
C-428-	.375	.303	1.036	04, 06, 08, 10, 209
C-430-	.530	.393	1.203	10, 14, 56, 38
C-436-	.282	.306	.992	04, 06, 08
C-440-	.592	.468	1.307	10, 14, 56, 38, 209, 413

DIMENSIONAL TOLERANCES UNLESS OTHERWISE SPECIFIED	REFERENCE	SCALE:	NTS	DATE	TITLE:
FRAC.	DEC.	ANG.			
			DRWN. BY: JJ	11-19-84	RING TONGUE TERMINAL VIBRAKRIMP 400-SERIES
			CHKD. BY: GZ	11-26-84	
			APPRD. BY:		

DWG. NO.	A	CUSTOMER DWG
----------	---	--------------



Mouser Electronics

Authorized Distributor

Click to View Pricing, Inventory, Delivery & Lifecycle Information:

[Molex:](#)

[19072-0107](#)