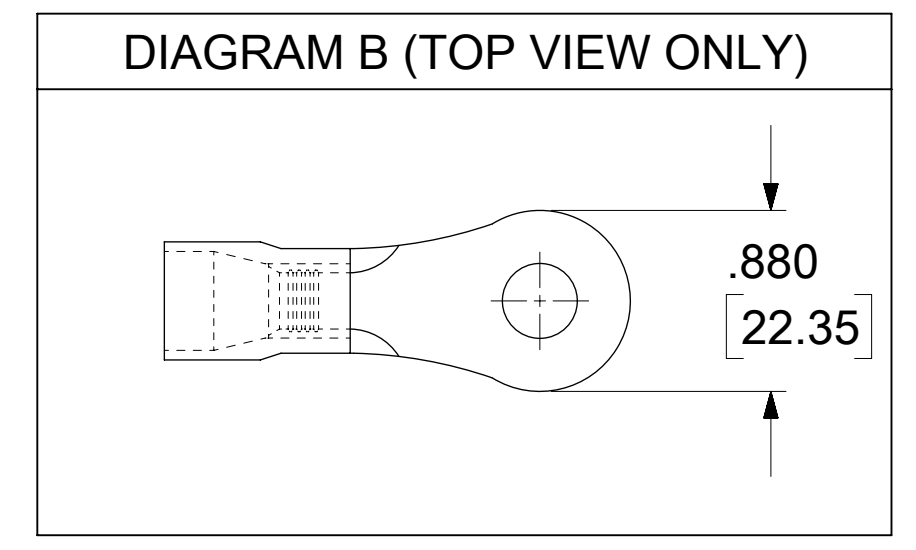
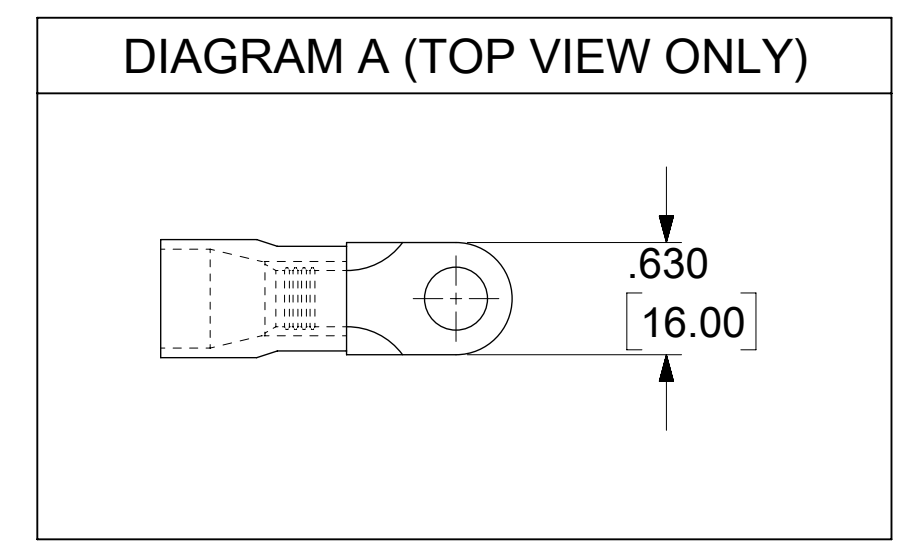
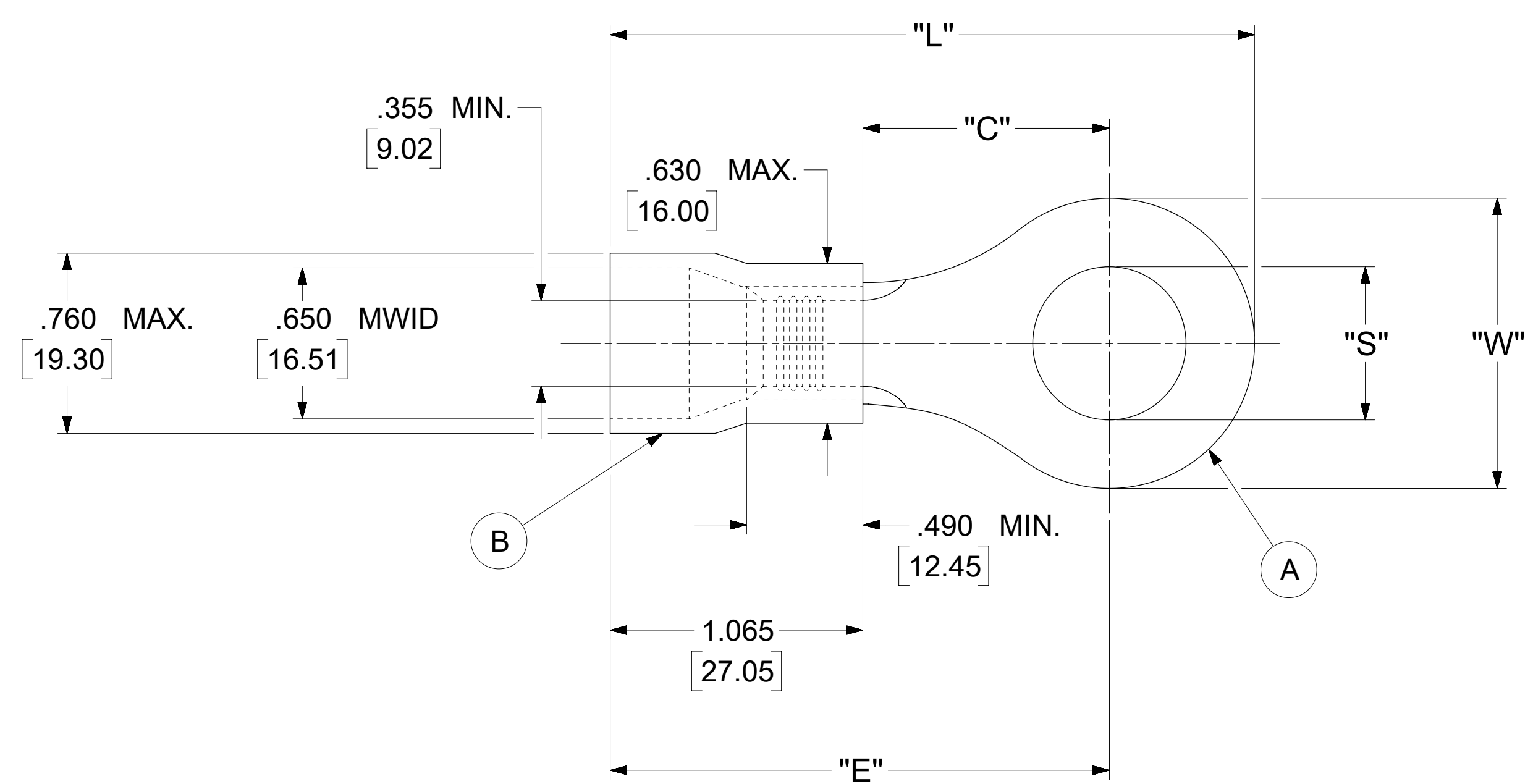


LOOSE PIECE		SPECIFICATIONS						
MATERIAL NUMBER	ENGINEERING NUMBER	STUD SIZE	"S" ±.005 [0.13]	"W" ±.013 [0.33]	"C" MIN.	"E" MAX.	"L" MAX.	DIAGRAM
190710272	G-674-12X	12	.515 [13.08]	.880 [22.35]	.693 [17.60]	1.803 [45.80]	2.234 [56.74]	B
190710273	G-674-14X	14	.265 [6.73]					
190710279	G-675-10X	10	.198 [5.03]	.630 [16.00]	.693 [17.60]	1.803 [45.80]	2.110 [53.59]	A
190710281	G-675-14X	14	.265 [6.73]					
190710283	G-675-38X	38	.390 [9.91]					
190710285	G-675-56X	56	.328 [8.33]					
190710289	G-676-12X	12	.515 [13.08]	.880 [22.35]	.990 [25.15]	2.090 [53.09]	2.527 [64.19]	B



- NOTES:**
- MATERIAL:
 - (A). TERMINAL: COPPER (STOCK TKN .075[1.90])
PLATING: ELECTRO-TIN (.0003 MIN.)
 - (B). INSULATION: MOLDED PVC (RED)
 - MWID: MAXIMUM WIRE INSULATION DIAMETER
 - WIRE SIZE: 2 AWG
35 MM²
 - "UL" LISTING #E32244
"CSA" LISTING #18689
 - ALL DIMENSIONS IN INCHES/[MM].
 - PARTS ARE ROHS COMPLIANT.
 - DIMS. SHOWN ARE FOR REFERENCE ONLY.

SYMBOLS = 0 = 0 = 0 = 0 = 0 = 0 = 0 = 0	THIS DRAWING CONTAINS INFORMATION THAT IS PROPRIETARY TO MOLEX ELECTRONIC TECHNOLOGIES, LLC AND SHOULD NOT BE USED WITHOUT WRITTEN PERMISSION <small>DIMENSION UNITS</small> INCH/MM		<small>SCALE</small> NTS	<small>CURRENT REV DESC:</small> MIGRATION TO ECTR/NX	 RING TONGUE TERMINAL INSULKRIMP <small>PRODUCT CUSTOMER DRAWING</small>
	<small>GENERAL TOLERANCES (UNLESS SPECIFIED)</small>			<small>EC NO:</small> 620820 <small>DRWN:</small> ABENJAMINLW 2019/07/10 <small>CHK'D:</small> GROJAS01 2019/07/17 <small>APPR:</small> JMACNEIL 2019/08/06	
	<small>4 PLACES</small> ± --- ± --- <small>3 PLACES</small> ± --- ± .005 <small>2 PLACES</small> ± 0.13 ± .01 <small>1 PLACE</small> ± 0.25 ± --- <small>0 PLACES</small> ± --- ± ---	<small>MM</small> <small>INCH</small>	<small>INITIAL REVISION:</small> <small>DRWN:</small> JTK 1970/01/21 <small>APPR:</small> JMACNEIL 2019/08/06	<small>DOCUMENT NUMBER</small> 190710272 <small>DOC TYPE</small> PSD <small>DOC PART</small> 000 <small>REVISION</small> A	
	<small>ANGULAR TOL</small> ± 0.5° <small>DRAFT WHERE APPLICABLE MUST REMAIN WITHIN DIMENSIONS</small>	<small>THIRD ANGLE PROJECTION</small> 	<small>DRAWING</small> D-SIZE	<small>SERIES</small> 19071 <small>MATERIAL NUMBER</small> SEE TABLE <small>CUSTOMER</small> GENERAL MARKET <small>SHEET NUMBER</small> 1 OF 1	

Mouser Electronics

Authorized Distributor

Click to View Pricing, Inventory, Delivery & Lifecycle Information:

[Molex:](#)

[19071-0404](#)