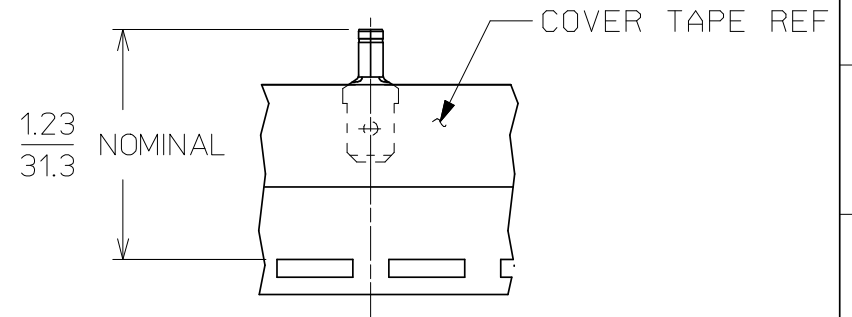
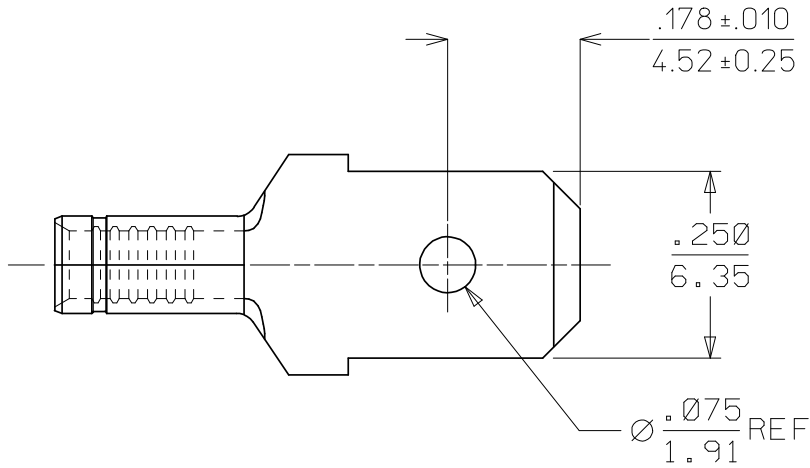
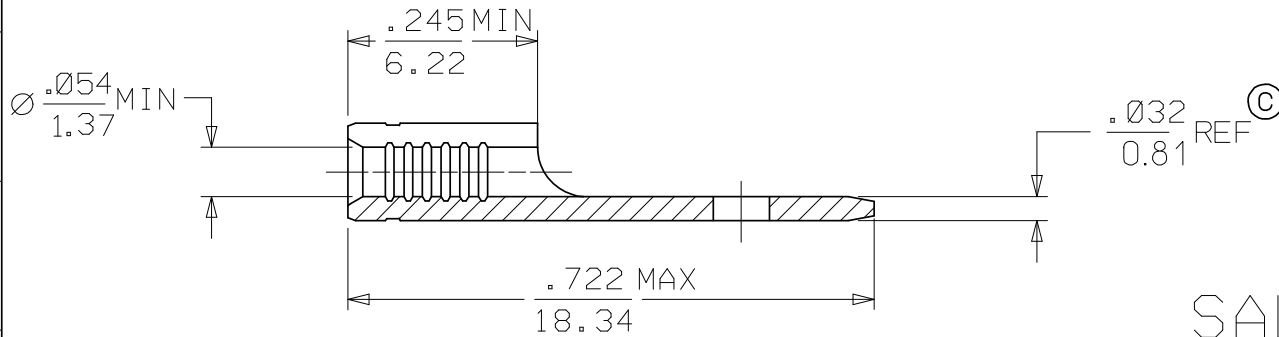


13	12	11	10	9	8	7	6	5	4	3	2	1
MATERIAL NUMBER		ENGINEERING NUMBER	DESCRIPTION									
190220004		AMCT-I	ZINC CHROMATE PLATED									
190220010		AMCT-IT	ZINC CHROMATE PLATED, TAPE MOUNTED									



TAPE MOUNTING LOCATION FOR 190220010, AMCT-1T



SALES DRAWING

NOTES:

1. MATERIAL: BRASS ©
2. FINISH: SEE CHART
3. WIRE SIZE: 22-18 AWG (0.38 - 0.96 mm²)
4. TAB DIMENSIONS CONFORM TO UL310 SPECIFICATIONS.
5. PART IS ROHS COMPLIANT. ©

CHANGED MATL & FINISH EC NO: ETC2007-0081 DRAWN: HEILE 2008/01/28 CHKD: JMACNEIL 2008/01/28 APPR: JMACNEIL 2008/02/13	QUALITY SYMBOLS	GENERAL TOLERANCES (UNLESS SPECIFIED)	DIMENSION STYLE	SCALE	DESIGN UNITS	THIRD ANGLE PROJECTION	
	▼=0 ▽=0	mm INCH	IN/MM	4:1	INCH		
		4 PLACES ± --- ± --- 3 PLACES ± --- ± .005 2 PLACES ± 0.13 ± .01 1 PLACE ± 0.25 ± ---	DRAWN BY DATE BRE 1/07/02			TITLE	MALE CONNECTOR TERMINAL .250 X .032 TAB KRIMPTITE
		ANGULAR ± 1/2°	CHECKED BY DATE HEB 1/07/02			APPROVED BY DATE RWD 1/07/02	MOLEX MOLEX INCORPORATED
		DRAFT WHERE APPLICABLE MUST REMAIN WITHIN DIMENSIONS	SEE CHART		DOCUMENT NO.	SD-19022-006	
			SIZE		THIS DRAWING CONTAINS INFORMATION THAT IS PROPRIETARY TO MOLEX INCORPORATED AND SHOULD NOT BE USED WITHOUT WRITTEN PERMISSION		

Mouser Electronics

Authorized Distributor

Click to View Pricing, Inventory, Delivery & Lifecycle Information:

[Molex:](#)

[19022-0116](#)