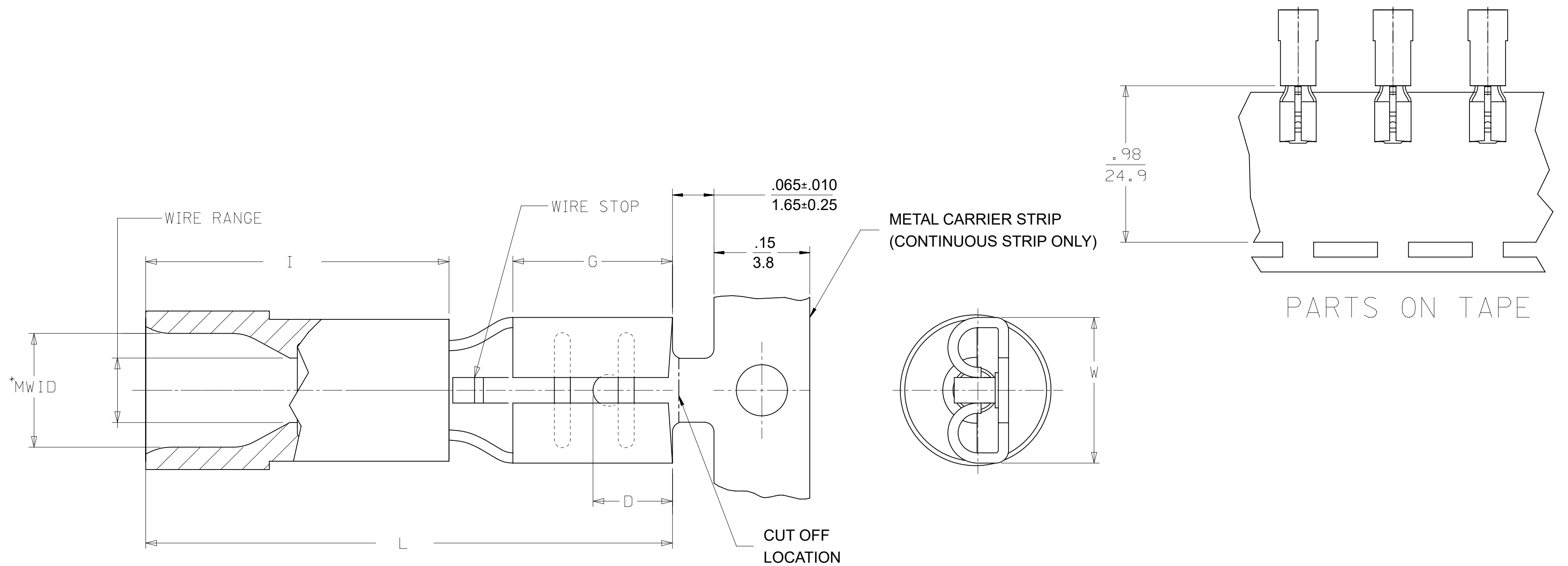


LOOSE PIECE		TAPE MOUNTED		CONTINUOUS STRIP		SPECIFICATIONS									
MATERIAL NUMBER	ENGINEERING NUMBER	MATERIAL NUMBER	ENGINEERING NUMBER	MATERIAL NUMBER	ENGINEERING NUMBER	INS. COLOR	WIRE RANGE AWG MM ²	FITS MALE TAB SIZE	STOCK THICKNESS	"L" MAX.	"I" MAX.	"W" MAX.	"D" ±.01	"G" NOM.	MWID
190170014	AA-2140	190170017	AA-2140T	190170022	AAZ-2140	RED	22-18 0.25-1.5	.250x.032/6.35x0.81	.016/0.41	.865/21.97	.42/10.7	.31/7.9	.156/3.96	.31/7.9	.13/3.3
190170037	BB-2141	190170041	BB-2141T	190170074	BBZ-2141	BLUE	16-14 1.0-2.5	.250x.032/6.35x0.81	.016/0.41	.865/21.97	.42/10.7	.31/7.9	.156/3.96	.31/7.9	.14/3.6
190170047	C-2143	190170050	C-2143T	-	-	YELLOW	12-10 4.0-6.0	.250x.032/6.35x0.81	.018/0.46	1.011/25.68	.56/14.2	.31/7.9	.156/3.96	.31/7.9	.24/6.1
190170007	AA-2137	190170012	AA-2137T	190170068	AAZ-2137	RED	22-18 0.25-1.5	.187x.020/4.75x0.51	.016/0.41	.789/20.04	.42/10.7	.25/6.4	.125/3.18	.25/6.4	.13/3.3
190170031	BB-2138	190170035	BB-2138T	190170072	BBZ-2138	BLUE	16-14 1.0-2.5	.187x.020/4.75x0.51	.016/0.41	.789/20.04	.42/10.7	.25/6.4	.125/3.18	.25/6.4	.14/3.6
190170008	AA-2137-032	190170009	AA-2137-032T	190170069	AAZ-2137-032	BRIGHT RED (A)	22-18 0.25-1.5	.187x.032/4.75x0.81	.016/0.41	.789/20.04	.42/10.7	.25/6.4	.125/3.18	.25/6.4	.13/3.3
190170032	BB-2138-032	-	-	190170073	BBZ-2138-032	BRIGHT BLUE (A)	16-14 1.0-2.5	.187x.032/4.75x0.81	.016/0.41	.789/20.04	.42/10.7	.25/6.4	.125/3.18	.25/6.4	.14/3.6
190170001	AA-2131	190170004	AA-2131T	190170066	AAZ-2131	RED	22-18 0.25-1.5	.110x.020/2.80x0.51	.012/0.30	.789/20.04	.42/10.7	.17/4.3	.210/5.33	.25/6.4	.13/3.3
190170023	BB-2132	-	-	-	-	BLUE	16-14 1.0-2.5	.110x.020/2.80x0.51	.012/0.30	.789/20.04	.42/10.7	.17/4.3	.210/5.33	.25/6.4	.14/3.6
190170005	AA-2134	190170006	AA-2134T	-	-	BRIGHT RED (A)	22-18 0.25-1.5	.110x.032/2.80x0.81	.012/0.30	.789/20.04	.42/10.7	.17/4.3	.210/5.33	.25/6.4	.13/3.3
190170028	BB-2135	-	-	190170071	BBZ-2135	BRIGHT BLUE (A)	16-14 1.0-2.5	.110x.032/2.80x0.81	.012/0.30	.789/20.04	.42/10.7	.17/4.3	.210/5.33	.25/6.4	.14/3.6
190170018	AA-2190	190170003	AA-2190T	-	-	RED	22-18 0.25-1.5	.205x.020/5.21x0.51	.016/0.41	.789/20.04	.42/10.7	.26/6.6	.125/3.18	.25/6.4	.13/3.3
190170043	BB-2191	190170046	BB-2191T	-	-	BLUE	16-14 1.0-2.5	.205x.020/5.21x0.51	.016/0.41	.789/20.04	.42/10.7	.26/6.6	.125/3.18	.25/6.4	.14/3.6
190170019	AA-2190-032	-	-	-	-	BRIGHT RED (A)	22-18 0.25-1.5	.205x.032/5.21x0.81	.016/0.41	.789/20.04	.42/10.7	.26/6.6	.125/3.18	.25/6.4	.13/3.3
190170044	BB-2191-032	190170016	BB-2191-032T	-	-	BRIGHT BLUE (A)	16-14 1.0-2.5	.205x.032/5.21x0.81	.016/0.41	.789/20.04	.42/10.7	.26/6.6	.125/3.18	.25/6.4	.14/3.6



- NOTES:
1. MATERIAL: BRASS TERMINAL
 2. FINISH: ELECTRO-TIN PLATING
 3. INSULATION: MOLDED PVC
 - 4.*MWID=MAXIMUM WIRE INSULATION DIAMETER
 5. PARTS ARE ROHS COMPLIANT.

THIS DRAWING CONTAINS INFORMATION THAT IS PROPRIETARY TO MOLEX ELECTRONIC TECHNOLOGIES, LLC AND SHOULD NOT BE USED WITHOUT WRITTEN PERMISSION									
DIMENSION UNITS		SCALE		CURRENT REV DESC: OBSOLETE PART NUMBERS AS PER PCN#508521					
INCH/MM		NTS		<p>EC NO: 667388</p> <p>DRWN: SKANDB 2021/04/15</p> <p>CHK'D: GGA 2021/07/05</p> <p>APPR: GGA 2021/07/05</p> <p>INITIAL REVISION:</p> <p>DRWN: ETHRODAHL 2011/04/20</p> <p>APPR: JMACNEIL 2011/07/13</p>					
GENERAL TOLERANCES (UNLESS SPECIFIED)									
		MM	INCH						
4 PLACES	±		±						
3 PLACES	±		± 0.005						
2 PLACES	±	0.13	± 0.01						
1 PLACE	±	0.25	± 0.02						
0 PLACES	±		±						
ANGULAR TOL		± °		<p>THIRD ANGLE PROJECTION</p> <p>DRAWING SERIES</p> <p>C-SIZE 19017</p>					
DRAFT WHERE APPLICABLE MUST REMAIN WITHIN DIMENSIONS				MATERIAL NUMBER		CUSTOMER		SHEET NUMBER	
				SEE TABLE		GENERAL MARKET		1 OF 1	

molex

QUICK DISCONNECT
PARTIALLY INSULATED INSULKRIMP

PRODUCT CUSTOMER DRAWING

DOCUMENT NUMBER
SD-19017-003

DOC TYPE
PSD

DOC PART
001

REVISION
B

Mouser Electronics

Authorized Distributor

Click to View Pricing, Inventory, Delivery & Lifecycle Information:

[Molex:](#)

[19017-0147](#)