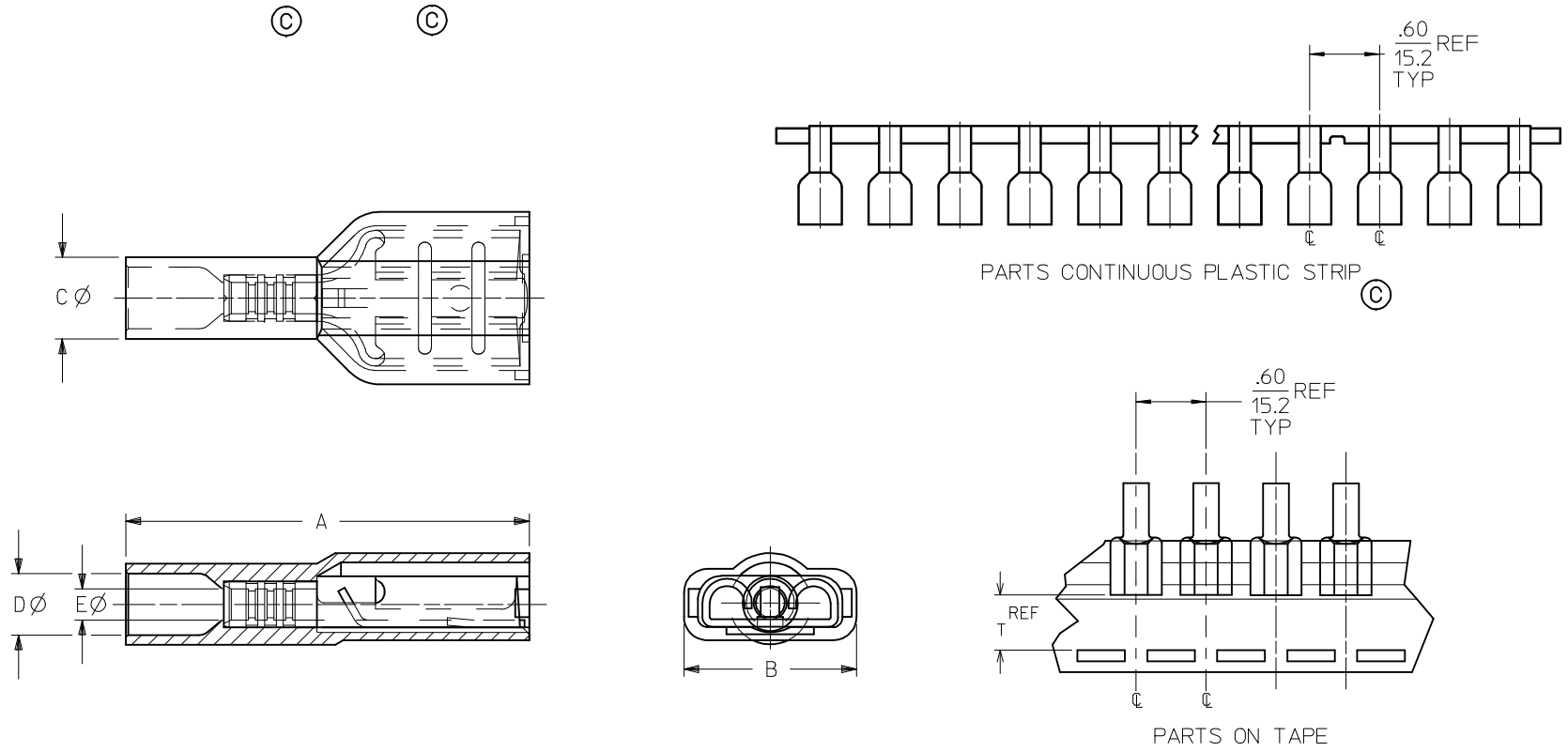


10	9	8	7	6	5	4	3	2	19005						
MATERIAL NUMBER LOOSE PIECE	ENGRNG NUMBER LOOSE PIECE	MATERIAL NUMBER MYLAR TAPE	ENGINEERING NUMBER MYLAR TAPE	MATERIAL NUMBER CONTINUOUS STRIP	ENGINEERING NUMBER CONTINUOUS STRIP	WIRE RANGE AWG	ACCEPTS MALE TAB SIZE	COLOR	STOCK THKNS (REF)	A MAX	B MAX	C MAX	D MWID	E MIN	T REF
190050001	AA-2261	190050004	AA-2261T	190050003	AA-2261C	22-18	.250x.032/6.35x0.81	RED	.018/0.46	.89/22.6	.38/9.7	.23/5.9	.16/4.1	.08/2.0	.52/13.2
190050005	BB-2263	190050009	BB-2263T	190050008	BB-2263C	16-14	.250x.032/6.35x0.81	BLUE	.018/0.46	.89/22.6	.38/9.7	.23/5.9	.16/4.1	.08/2.0	.52/13.2
190050010	C-2265	190050015	C-2265T	190050014	C-2265C	12-10	.250x.032/6.35x0.81	YELLOW	.018/0.46	1.04/26.4	.38/9.7	.34/8.7	.27/6.8	.14/3.5	.51/13.0



NOTES:

1. TERMINAL MATERIAL: BRASS
2. TERMINAL FINISH: TIN PLATED
3. INSULATION MATERIAL: MOLDED NYLON
4. MWID = MAXIMUM WIRE INSULATION DIAMETER
5. PARTS ARE ROHS COMPLIANT.

ADD CONTINUOUS STRIP EC NO: IPG2014-1666 DRAWING: GROJAS01 CHKD: JMACNEIL APPR: JMACNEIL	DESCRIPTION 2014/04/03 2014/04/21	QUALITY SYMBOLS ▽=0 ▽=0	GENERAL TOLERANCES (UNLESS SPECIFIED) <table border="1"> <thead> <tr> <th></th> <th>mm</th> <th>INCH</th> </tr> </thead> <tbody> <tr> <td>4 PLACES</td> <td>±---</td> <td>±---</td> </tr> <tr> <td>3 PLACES</td> <td>±---</td> <td>±---</td> </tr> <tr> <td>2 PLACES</td> <td>±---</td> <td>±---</td> </tr> <tr> <td>1 PLACE</td> <td>±---</td> <td>±---</td> </tr> <tr> <td colspan="3">ANGULAR ±---°</td> </tr> </tbody> </table>		mm	INCH	4 PLACES	±---	±---	3 PLACES	±---	±---	2 PLACES	±---	±---	1 PLACE	±---	±---	ANGULAR ±---°			DIMENSION STYLE IN/MM DRAWN BY DATE EMF 1993/06/25 CHECKED BY DATE --- APPROVED BY DATE JMACNEIL 2010/03/19	SCALE --- DESIGN UNITS INCH THIRD ANGLE PROJECTION	TITLE FULLY INSULATED FEMALE COUPLER
		mm	INCH																					
	4 PLACES	±---	±---																					
	3 PLACES	±---	±---																					
	2 PLACES	±---	±---																					
1 PLACE	±---	±---																						
ANGULAR ±---°																								
DRAFT WHERE APPLICABLE MUST REMAIN WITHIN DIMENSIONS			MATERIAL NO. SEE CHART	DOCUMENT NO. SD-19005-001	SHEET NO. 1 OF 1	MOLEX INCORPORATED																		
THIS DRAWING CONTAINS INFORMATION THAT IS PROPRIETARY TO MOLEX INCORPORATED AND SHOULD NOT BE USED WITHOUT WRITTEN PERMISSION																								

# Mouser Electronics

Authorized Distributor

Click to View Pricing, Inventory, Delivery & Lifecycle Information:

[Molex:](#)

[19005-0031](#)