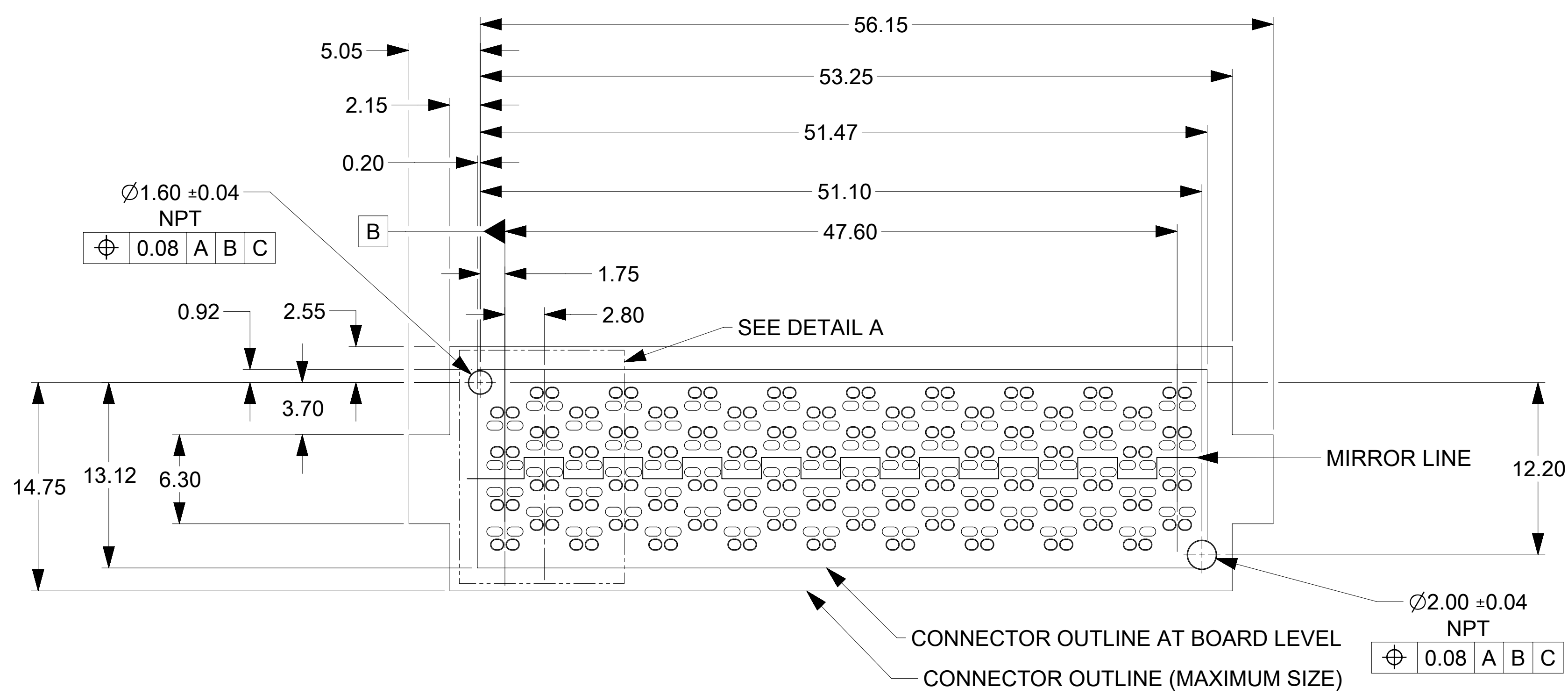


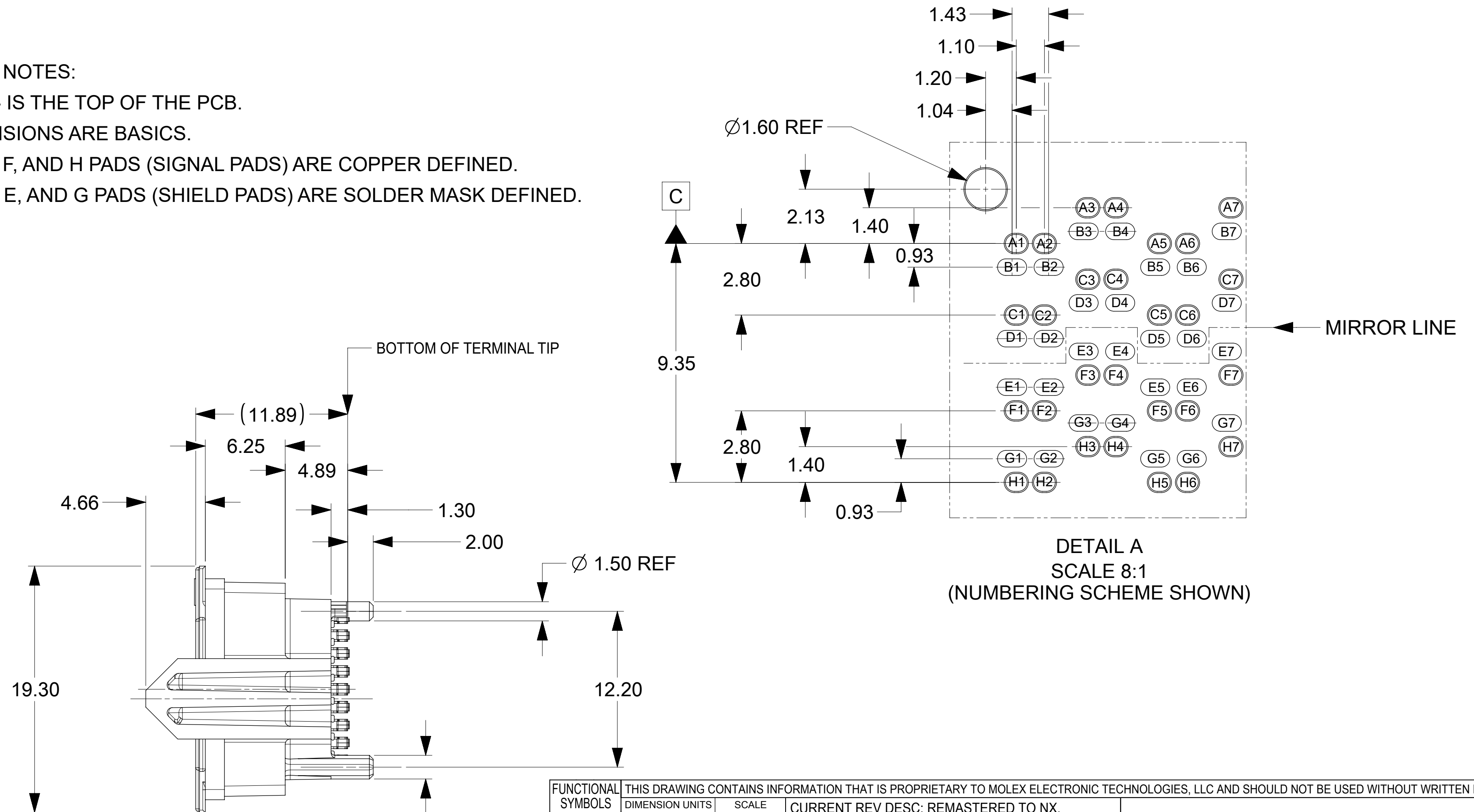
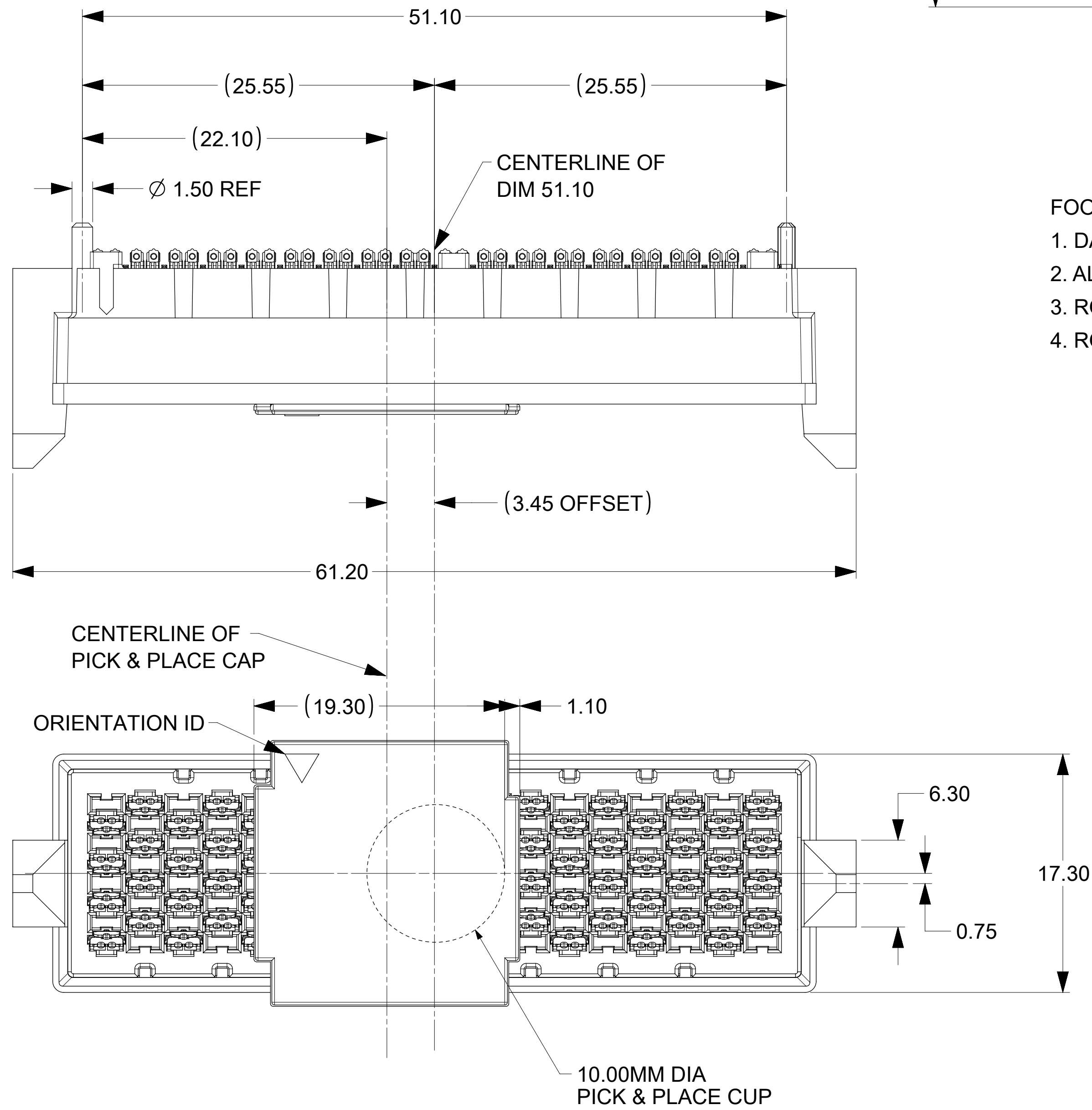
NOTES:

- HOUSING MATERIAL: LCP, GLASS FILLED, UL 94V-0, BLACK
CONTACT MATERIAL: HIGH PERFORMANCE COPPER ALLOY
SOLDER CHARGE: LEAD FREE SOLDER ALLOY
- FINISH:
CONTACTS: SELECT GOLD: 30 μINCHES MIN ON CONTACT AREA,
SELECTIVE TIN: 100 μINCHES MIN ON SOLDERABLE PORTION
OF SOLDER TAILS; OVER 50 μINCHES MIN NICKEL OVERALL.
- PRODUCT SPECIFICATION: PS-170807-0001
- PACKAGING SPECIFICATION: PK-170814-002
- APPLICATION SPECIFICATION: AS-170807-0001



FOOT PRINT NOTES:

- DATUM -A- IS THE TOP OF THE PCB.
- ALL DIMENSIONS ARE BASICS.
- ROW A, C, F, AND H PADS (SIGNAL PADS) ARE COPPER DEFINED.
- ROW B, D, E, AND G PADS (SHIELD PADS) ARE SOLDER MASK DEFINED.



FUNCTIONAL SYMBOLS FA = 0 FC = 0 FP = 0	THIS DRAWING CONTAINS INFORMATION THAT IS PROPRIETARY TO MOLEX ELECTRONIC TECHNOLOGIES, LLC AND SHOULD NOT BE USED WITHOUT WRITTEN PERMISSION		CURRENT REV DESC: REMASTERED TO NX.	
	DIMENSION UNITS	SCALE		
DIVISIONAL SYMBOLS	mm	NTS		
GENERAL TOLERANCES (UNLESS SPECIFIED)		EC NO: 667773		
ANGULAR TOL ± 0.5°		DRWN: JESSIECHUA 2021/06/22		
4 PLACES ±		CHK'D: HCGOH 2021/07/15		
3 PLACES ±		APPR: SHONG 2021/07/19		
2 PLACES ± 0.15		INITIAL REVISION:		
1 PLACE ±		DRWN: SKANG 2015/10/21		
0 PLACES ±		APPR: SHONG 2015/11/03		
DRAFT WHERE APPLICABLE MUST REMAIN WITHIN DIMENSIONS		THIRD ANGLE PROJECTION	DRAWING	SERIES
			D-SIZE	170814
		MATERIAL NUMBER	CUSTOMER	SHEET NUMBER
		SEE TABLE	GENERAL MARKET	1 OF 2

RECEPTACLE, 4X18, NEOSCALE			
PRODUCT CUSTOMER DRAWING			
DOCUMENT NUMBER	DOC TYPE	DOC PART	REVISION
SD-170814-0043	PSD	001	A

MATERIAL NUMBER	TRIAD TYPE AND COUNT		MATE WITH
	85 OHMS	100 OHMS	
1708140043	72 PLACES	N/A	1708070051 (12MM)
1708142030	N/A	72 PLACES	1708072032 (12MM)

FUNCTIONAL SYMBOLS	THIS DRAWING CONTAINS INFORMATION THAT IS PROPRIETARY TO MOLEX ELECTRONIC TECHNOLOGIES, LLC AND SHOULD NOT BE USED WITHOUT WRITTEN PERMISSION													
	$\nabla_A = 0$ $\nabla_C = 0$ $\nabla_D = 0$	DIMENSION UNITS	SCALE	CURRENT REV DESC: REMASTERED TO NX.							RECEPTACLE, 4X18, NEOSCALE			
	mm	NTS												
DIVISIONAL SYMBOLS	GENERAL TOLERANCES (UNLESS SPECIFIED)		EC NO: 667773								PRODUCT CUSTOMER DRAWING			
	ANGULAR TOL $\pm 0.5^\circ$		DRWN: JESSIECHUA 2021/06/22											
	4 PLACES \pm		CHK'D: HCGOH 2021/07/15											
	3 PLACES \pm		APPR: SHONG 2021/07/19											
	2 PLACES ± 0.15		INITIAL REVISION:								DOCUMENT NUMBER			
	1 PLACE \pm		DRWN: SKANG 2015/10/21								SD-170814-0043			
0 PLACES \pm		APPR: SHONG 2015/11/03								PSD 001 A				
DRAFT WHERE APPLICABLE MUST REMAIN WITHIN DIMENSIONS		THIRD ANGLE PROJECTION			DRAWING		SERIES		MATERIAL NUMBER		CUSTOMER		SHEET NUMBER	
					D-SIZE		170814		SEE TABLE		GENERAL MARKET		2 OF 2	

DOCUMENT STATUS	P1	RELEASE DATE	2021/07/19	00:44:13
-----------------	----	--------------	------------	----------

Mouser Electronics

Authorized Distributor

Click to View Pricing, Inventory, Delivery & Lifecycle Information:

[Molex:](#)

[170814-0043](#)