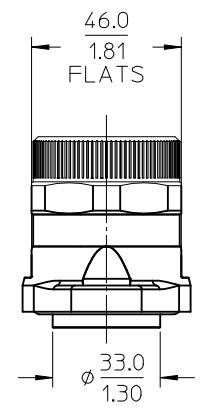
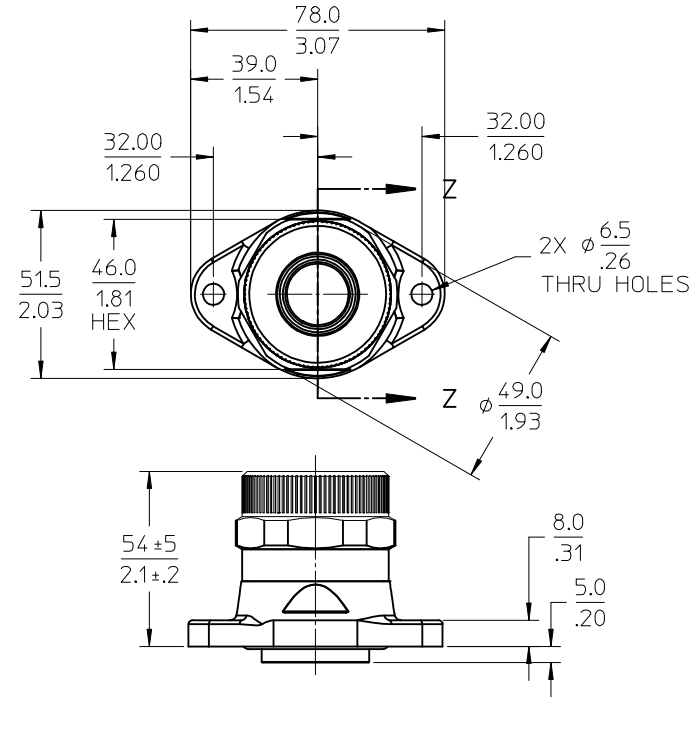
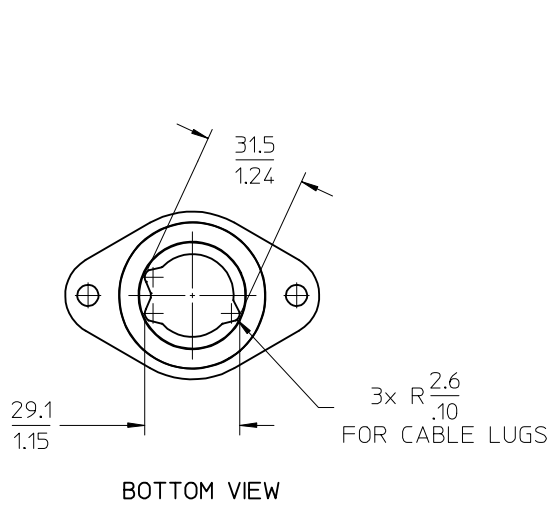


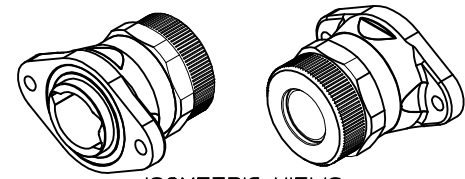
10	9	8	7	6	5	4	3
SINGLE ASSEMBLY PART NO.	KIT ASSEMBLY PART NO.	WIRE AWG	GROMMET	COLOR	O-RING	COLOR	CABLE SEALING RANGE
1301990045	1301990145	2/0	HNBR	BLACK	HNBR	BLACK	15.88/.625 - 17.45/.687
1301990035	1301990135	3/0	HNBR	BLACK	HNBR	BLACK	17.45/.684 - 19.05/.750
1301990040	1301990140	4/0	HNBR	BLACK	HNBR	BLACK	19.05/.750 - 22.23/.875
1301990245	1301990345	2/0	SILICONE	RUST RED	SILICONE	RUST RED	15.88/.625 - 17.45/.687
1301990235	1301990335	3/0	SILICONE	RUST RED	SILICONE	RUST RED	17.45/.684 - 19.05/.750
1301990240	1301990340	4/0	SILICONE	RUST RED	SILICONE	RUST RED	19.05/.750 - 22.23/.875



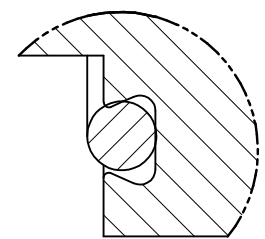
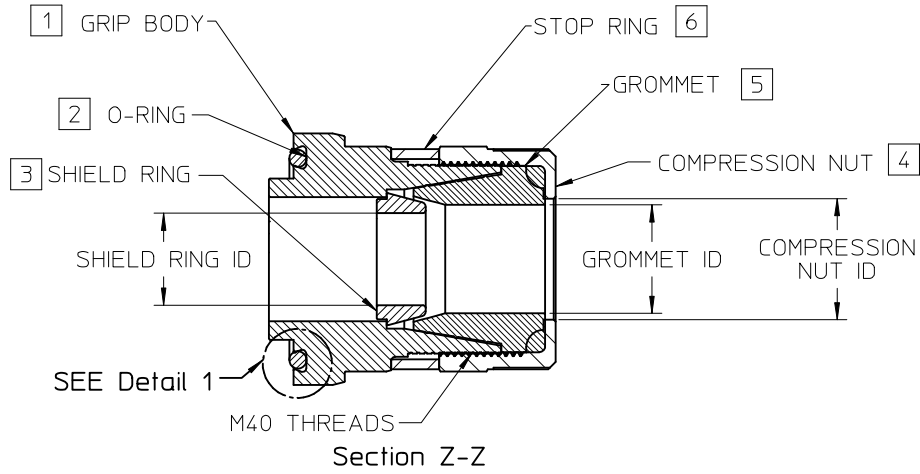
- NOTES:**
- MATERIALS:**
 GRIP BODY: ALUMINUM ALLOY
 FINISH: ELECTROLESS NICKEL PLATING
 COMPRESSION NUT: ALUMINUM ALLOY
 FINISH: ELECTROLESS NICKEL PLATING
 SHIELD RING: ALUMINUM ALLOY
 FINISH: ELECTROLESS NICKEL PLATING
 STOP RING: ALUMINUM ALLOY
 FINISH: ELECTROLESS NICKEL PLATING
 GROMMET: SEE CHART
 HNBR HARDNESS: SHORE 70A DUROMETER
 SILICONE HARDNESS: SHORE 70A DUROMETER
 O-RING: SEE CHART
 HNBR HARDNESS: SHORE 90A DUROMETER
 SILICONE HARDNESS: SHORE 70A DUROMETER
 - PRODUCT SPECIFICATION: PS-130199-001
 - PACKAGING SPECIFICATION: PK-130199-002
 - ASSEMBLY SPECIFICATION: AS-130199-003
 - ALL MATERIALS ARE ROHS COMPLIANT.

UPDATE TOLS & NOTES EC NO: IPG2016-0642 DRW: WLEUNG 2015/10/28 CHKD: GSUDHINI 2015/10/28 APPR: BWOODMAN 2016/01/21	DESCRIPTION REV	QUALITY SYMBOLS ▽=0 ▽=0	GENERAL TOLERANCES (UNLESS SPECIFIED) mm INCH 4 PLACES ± --- ± --- 3 PLACES ± --- ± .015 2 PLACES ± 0.40 ± .03 1 PLACE ± 0.8 ± --- ANGULAR ± 3°	DIMENSION STYLE MM/IN DRAWN BY DATE WLEUNG 2012/04/09 CHECKED BY DATE BRUPERT 2013/11/21 APPROVED BY DATE BWOODMAN 2013/12/26	SCALE 1:1.5 DESIGN UNITS METRIC THIRD ANGLE PROJECTION	TITLE MAXLOC SHIELDED CORD GRIP ASSEMBLY, M40 THD FOR 2/0AWG TO 4/0AWG MOLEX INCORPORATED DOCUMENT NO. SD-130199-002 SHEET NO. 1 OF 2
		DRAFT WHERE APPLICABLE MUST REMAIN WITHIN DIMENSIONS	SEE CHART	THIS DRAWING CONTAINS INFORMATION THAT IS PROPRIETARY TO MOLEX INCORPORATED AND SHOULD NOT BE USED WITHOUT WRITTEN PERMISSION		
		SIZE B	MATERIAL NO.	THIS DRAWING CONTAINS INFORMATION THAT IS PROPRIETARY TO MOLEX INCORPORATED AND SHOULD NOT BE USED WITHOUT WRITTEN PERMISSION		
		MATERIAL NO.	DOCUMENT NO.	SHEET NO.		

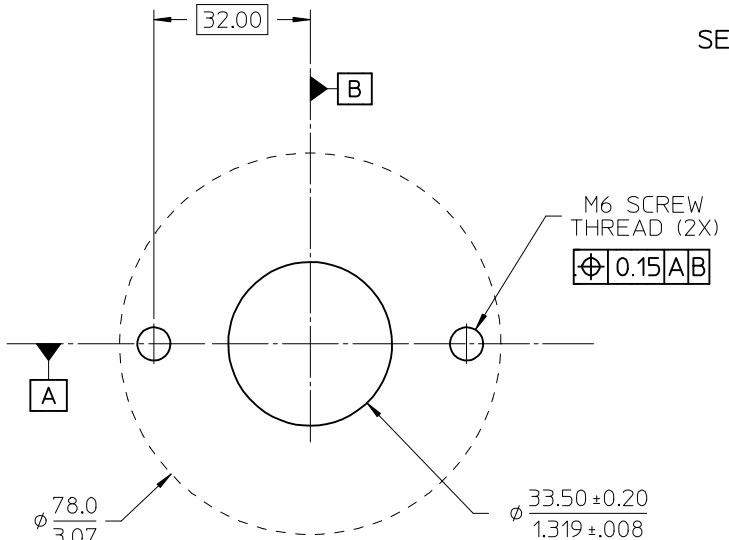
ITEM NO.	DESCRIPTION
1	GRIP BODY, M40 THREAD
2	O-RING, HNBR
	O-RING, SI
3	SHIELD RING (2/0 AWG), 14.55/.573" ID
	SHIELD RING (3/0 AWG), 15.62/.615" ID
	SHIELD RING (4/0 AWG), 18.85/.742" ID
4	COMPRESSION NUT (2/0AWG), 20.00/.787" ID
	COMPRESSION NUT (3/0AWG), 20.57/.810" ID
	COMPRESSION NUT (4/0AWG), 24.77/.975" ID
5	GROMMET (2/0 AWG), 17.45/.687" ID
	GROMMET (3/0 AWG), 18.04/.710" ID
	GROMMET (4/0 AWG), 22.23/.875" ID
6	STOP RING, 9.80MM THICK
	STOP RING, 11.30MM THICK



ISOMETRIC VIEWS
SCALE 1:2



Detail 1
Scale 4:1
DUAL DOVETAIL
O-RING GROOVE

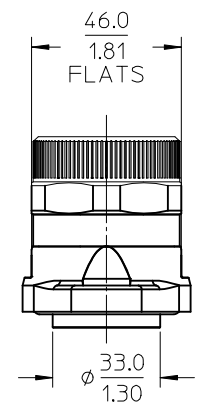
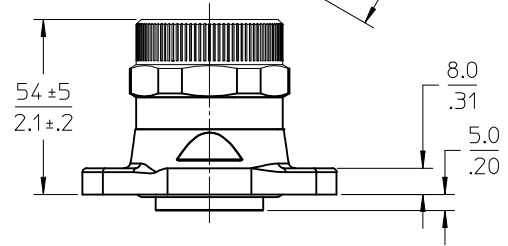
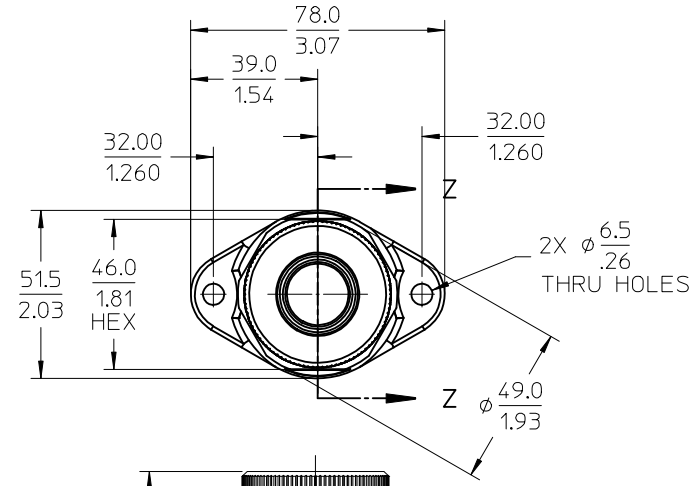
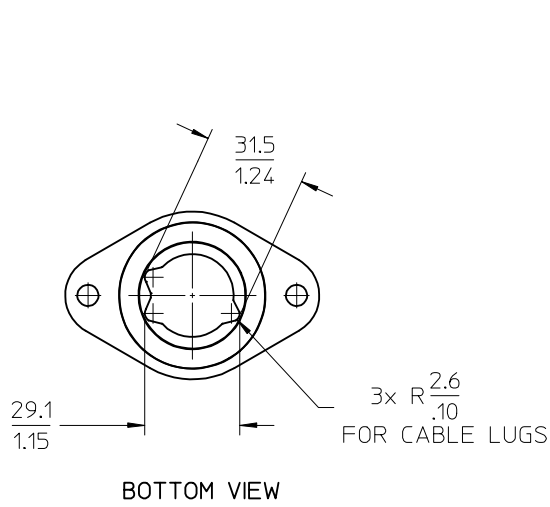


SEAL SURFACE ZONE
WITHIN Ø78.0 AREA:
SURFACE FINISH REQUIRED ∇ 3.2/
FLATNESS REQUIRED \square 0.2

RECOMMENDED PANEL
MOUNT OPENING

UPDATE ID DIMS & O-RING GROOVE EC NO: IPG2016-0642 DRAWN/WLEUNG 2015/10/28 CHKD:GSUDHINI 2015/10/28 APPR: BWOODMAN 2016/01/21	DESCRIPTION	QUALITY SYMBOLS	GENERAL TOLERANCES (UNLESS SPECIFIED)	DIMENSION STYLE	SCALE	DESIGN UNITS	THIRD ANGLE PROJECTION
		$\nabla=0$ $\nabla=0$	mm INCH	MM/IN	1:1	METRIC	
			4 PLACES ± --- ± ---	DRAWN BY DATE	TITLE		
			3 PLACES ± --- ± .015	WLEUNG 2012/04/09	MAXLOC SHIELDED CORD GRIP ASSEMBLY, M40 THD FOR 2/0AWG TO 4/0AWG		
			2 PLACES ± 0.40 ± .03	CHECKED BY DATE	MOLEX INCORPORATED		
			1 PLACE ± 0.8 ± ---	BRUPERT 2013/11/21	SD-130199-002		
			ANGULAR ± 3 °	APPROVED BY DATE	SHEET NO.		
				BWOODMAN 2013/12/26	2 OF 2		
			DRAFT WHERE APPLICABLE MUST REMAIN WITHIN DIMENSIONS	MATERIAL NO.	THIS DRAWING CONTAINS INFORMATION THAT IS PROPRIETARY TO MOLEX INCORPORATED AND SHOULD NOT BE USED WITHOUT WRITTEN PERMISSION		
				SEE CHART			
				SIZE B			

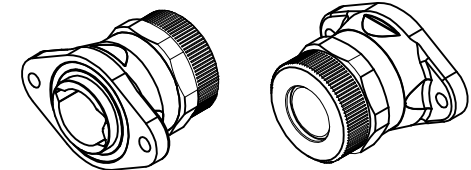
10	9	8	7	6	5	4	3
SINGLE ASSEMBLY PART NO.	KIT ASSEMBLY PART NO.	WIRE AWG	GROMMET	COLOR	O-RING	COLOR	CABLE SEALING RANGE
1301990045	1301990145	2/0	HNBR	BLACK	HNBR	BLACK	15.88/.625 - 17.45/.687
1301990035	1301990135	3/0	HNBR	BLACK	HNBR	BLACK	17.45/.684 - 19.05/.750
1301990040	1301990140	4/0	HNBR	BLACK	HNBR	BLACK	19.05/.750 - 22.23/.875
1301990245	1301990345	2/0	SILICONE	RUST RED	SILICONE	RUST RED	15.88/.625 - 17.45/.687
1301990235	1301990335	3/0	SILICONE	RUST RED	SILICONE	RUST RED	17.45/.684 - 19.05/.750
1301990240	1301990340	4/0	SILICONE	RUST RED	SILICONE	RUST RED	19.05/.750 - 22.23/.875



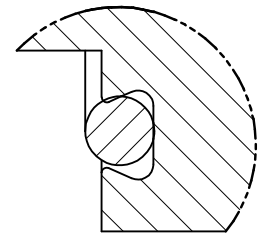
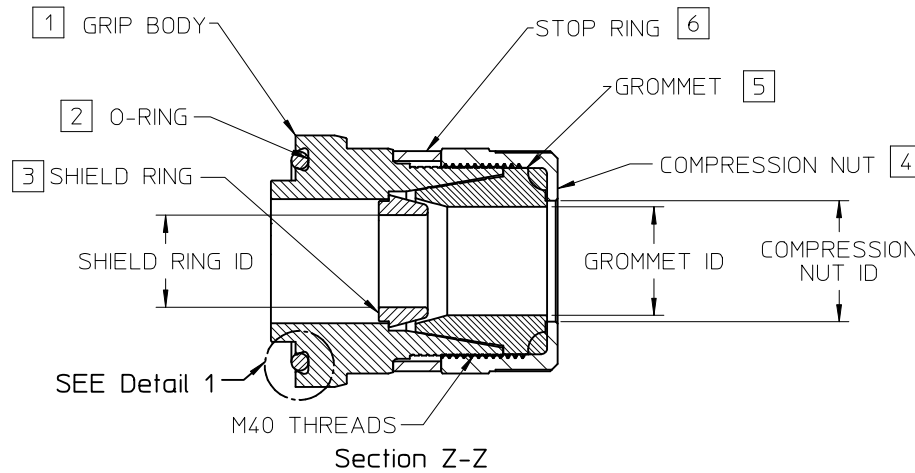
- NOTES:**
- MATERIALS:**
 GRIP BODY: ALUMINUM ALLOY
 FINISH: ELECTROLESS NICKEL PLATING
 COMPRESSION NUT: ALUMINUM ALLOY
 FINISH: ELECTROLESS NICKEL PLATING
 SHIELD RING: ALUMINUM ALLOY
 FINISH: ELECTROLESS NICKEL PLATING
 STOP RING: ALUMINUM ALLOY
 FINISH: ELECTROLESS NICKEL PLATING
 GROMMET: SEE CHART
 HNBR HARDNESS: SHORE 70A DUROMETER
 SILICONE HARDNESS: SHORE 70A DUROMETER
 O-RING: SEE CHART
 HNBR HARDNESS: SHORE 90A DUROMETER
 SILICONE HARDNESS: SHORE 70A DUROMETER
 - PRODUCT SPECIFICATION: PS-130199-001
 - PACKAGING SPECIFICATION: PK-130199-002
 - ASSEMBLY SPECIFICATION: AS-130199-003
 - ALL MATERIALS ARE ROHS COMPLIANT.

UPDATE TOLS & NOTES EC NO: IPG2016-0642 DRW: WLEUNG 2015/10/28 CHKD: GSUDHINI 2015/10/28 APPR: BWOODMAN 2016/01/21	DESCRIPTION REV	QUALITY SYMBOLS ▽=0 ▽=0	GENERAL TOLERANCES (UNLESS SPECIFIED) mm INCH 4 PLACES ± --- ± --- 3 PLACES ± --- ± .015 2 PLACES ± 0.40 ± .03 1 PLACE ± 0.8 ± --- ANGULAR ± 3°	DIMENSION STYLE MM/IN DRAWN BY DATE WLEUNG 2012/04/09 CHECKED BY DATE BRUPERT 2013/11/21 APPROVED BY DATE BWOODMAN 2013/12/26 MATERIAL NO.	SCALE 1:1.5 DESIGN UNITS METRIC THIRD ANGLE PROJECTION	TITLE MAXLOC SHIELDED CORD GRIP ASSEMBLY, M40 THD FOR 2/0AWG TO 4/0AWG MOLEX INCORPORATED DOCUMENT NO. SD-130199-002 SHEET NO. 1 OF 2
		DRAFT WHERE APPLICABLE MUST REMAIN WITHIN DIMENSIONS	SEE CHART	THIS DRAWING CONTAINS INFORMATION THAT IS PROPRIETARY TO MOLEX INCORPORATED AND SHOULD NOT BE USED WITHOUT WRITTEN PERMISSION		
		SIZE B	SEE CHART	THIS DRAWING CONTAINS INFORMATION THAT IS PROPRIETARY TO MOLEX INCORPORATED AND SHOULD NOT BE USED WITHOUT WRITTEN PERMISSION		
		DRAFT WHERE APPLICABLE MUST REMAIN WITHIN DIMENSIONS	SEE CHART	THIS DRAWING CONTAINS INFORMATION THAT IS PROPRIETARY TO MOLEX INCORPORATED AND SHOULD NOT BE USED WITHOUT WRITTEN PERMISSION		

ITEM NO.	DESCRIPTION
1	GRIP BODY, M40 THREAD
2	O-RING, HNBR
	O-RING, SI
3	SHIELD RING (2/0 AWG), 14.55/.573" ID
	SHIELD RING (3/0 AWG), 15.62/.615" ID
	SHIELD RING (4/0 AWG), 18.85/.742" ID
4	COMPRESSION NUT (2/0AWG), 20.00/.787" ID
	COMPRESSION NUT (3/0AWG), 20.57/.810" ID
	COMPRESSION NUT (4/0AWG), 24.77/.975" ID
5	GROMMET (2/0 AWG), 17.45/.687" ID
	GROMMET (3/0 AWG), 18.04/.710" ID
	GROMMET (4/0 AWG), 22.23/.875" ID
6	STOP RING, 9.80MM THICK
	STOP RING, 11.30MM THICK

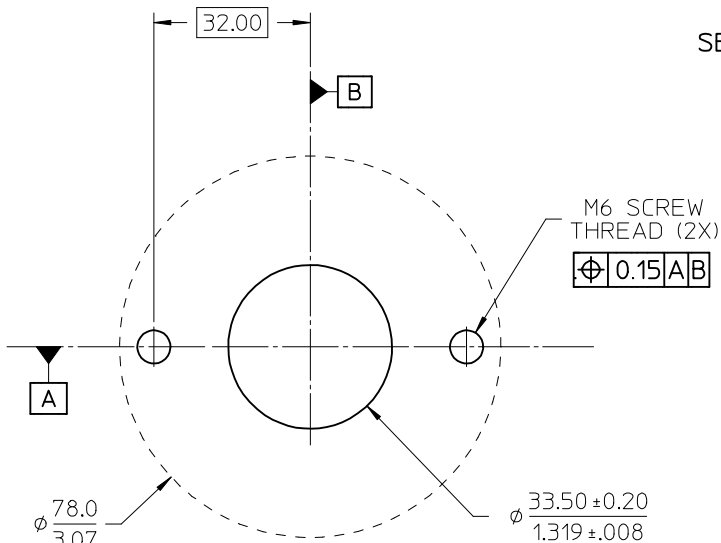


ISOMETRIC VIEWS
SCALE 1:2



Detail 1
Scale 4:1

DUAL DOVETAIL
O-RING GROOVE



SEAL SURFACE ZONE
WITHIN Ø78.0 AREA:
SURFACE FINISH REQUIRED 3.2/
FLATNESS REQUIRED 0.2

RECOMMENDED PANEL
MOUNT OPENING

UPDATE ID DIMS & O-RING GROOVE EC NO: IPG2016-0642 DT: DRINKWLEUNG 2015/10/28 CHKD: GSUDHINI 2015/10/28 APPR: BWOODMAN 2016/01/21 REV DESCRIPTION	QUALITY SYMBOLS	GENERAL TOLERANCES (UNLESS SPECIFIED)	DIMENSION STYLE	SCALE	DESIGN UNITS	THIRD ANGLE PROJECTION	
	▽=0 ▽=0	mm INCH 4 PLACES ± --- ± --- 3 PLACES ± --- ± .015 2 PLACES ± 0.40 ± .03 1 PLACE ± 0.8 ± --- ANGULAR ± 3°	MM/IN	1:1	METRIC	DRAWN BY DATE WLEUNG 2012/04/09 CHECKED BY DATE BRUPERT 2013/11/21 APPROVED BY DATE BWOODMAN 2013/12/26	
		DRAFT WHERE APPLICABLE MUST REMAIN WITHIN DIMENSIONS	SEE CHART	TITLE MAXLOC SHIELDED CORD GRIP ASSEMBLY, M40 THD FOR 2/0AWG TO 4/0AWG		MATERIAL NO. SD-130199-002	SHEET NO. 2 OF 2
				MOLEX INCORPORATED		THIS DRAWING CONTAINS INFORMATION THAT IS PROPRIETARY TO MOLEX INCORPORATED AND SHOULD NOT BE USED WITHOUT WRITTEN PERMISSION	

Mouser Electronics

Authorized Distributor

Click to View Pricing, Inventory, Delivery & Lifecycle Information:

[Molex:](#)

[1301990040](#)