

6

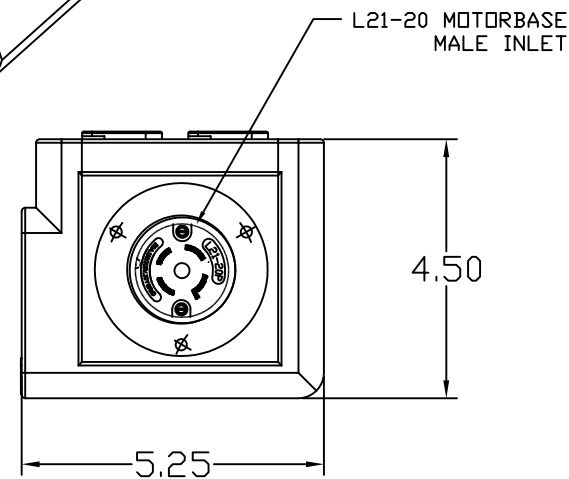
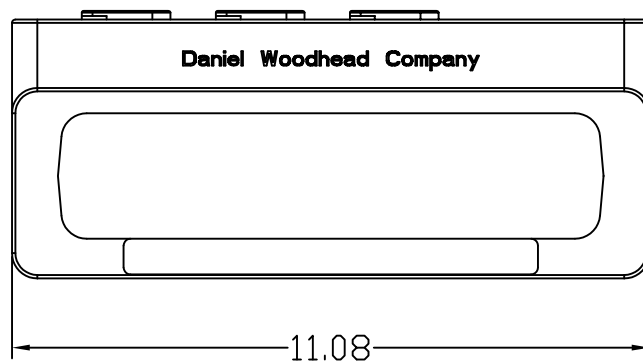
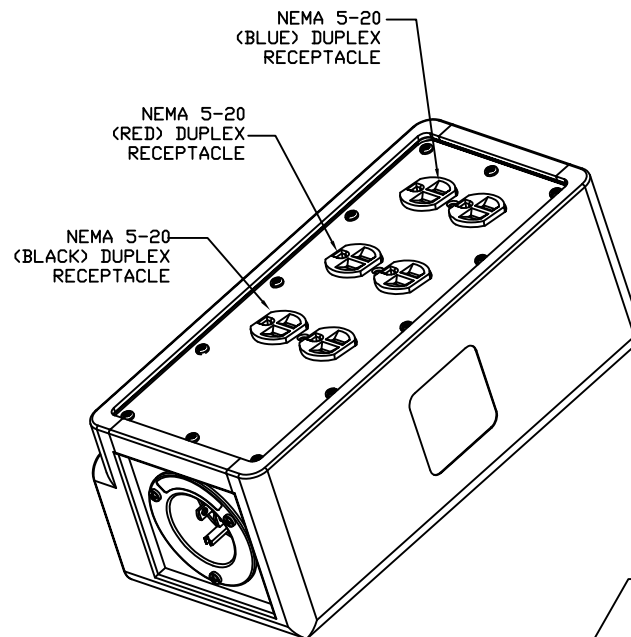
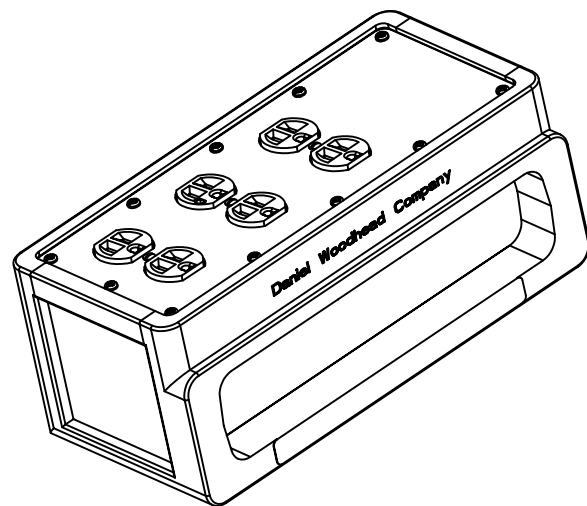
5

4

3

2

1



THIS DRAWING APPLIES TO MULTIPLE OUTLET BOX WITH NO PROTECTION,  
 3400 SERIES: 3403P, 3403PL, 3403P-20 & 3403PL-20.  
 "L" INDICATES FLIP LIDS.  
 "-20" INDICATES 20 AMP.

RELEASE SALES DRAWING EC NO: WNA2011-0060 DRWN: HKNEELAN CHKD: HKNEELAN APPR: DTTITUS 2010/09/02	DESCRIPTION REV	QUALITY SYMBOLS $\nabla=0$ $\nabla C=0$	GENERAL TOLERANCES (UNLESS SPECIFIED)		DIMENSION STYLE IN/MM		SCALE NTS	DESIGN UNITS INCH	THIRD ANGLE PROJECTION		
				mm	INCH	DRAWN BY TVICKERS	DATE 2010/03/10	TITLE MULTIPLE OUTLET BOX 3 PHASE 6 OUTLETS - NEMA 5-20			
			4 PLACES	±---	±---	CHECKED BY HKNEELAN	DATE 2010/07/29	MOLEX INCORPORATED			
			3 PLACES	±---	±.005	APPROVED BY DTTITUS	DATE 2010/07/29	DOCUMENT NO. SD-130138-002		SHEET NO. 1 OF 1	
2 PLACES	±0.13	±.010	ANGULAR ±.5°		MATERIAL NO. 1301380110						
1 PLACE	±0.25	±.020	DRAFT WHERE APPLICABLE MUST REMAIN WITHIN DIMENSIONS		THIS DRAWING CONTAINS INFORMATION THAT IS PROPRIETARY TO MOLEX INCORPORATED AND SHOULD NOT BE USED WITHOUT WRITTEN PERMISSION						
B					SIZE A						

6

5

4

3

2

1

# Mouser Electronics

Authorized Distributor

Click to View Pricing, Inventory, Delivery & Lifecycle Information:

[Molex:](#)

[1301380110](#)