

6 5 4 3 2 1

E

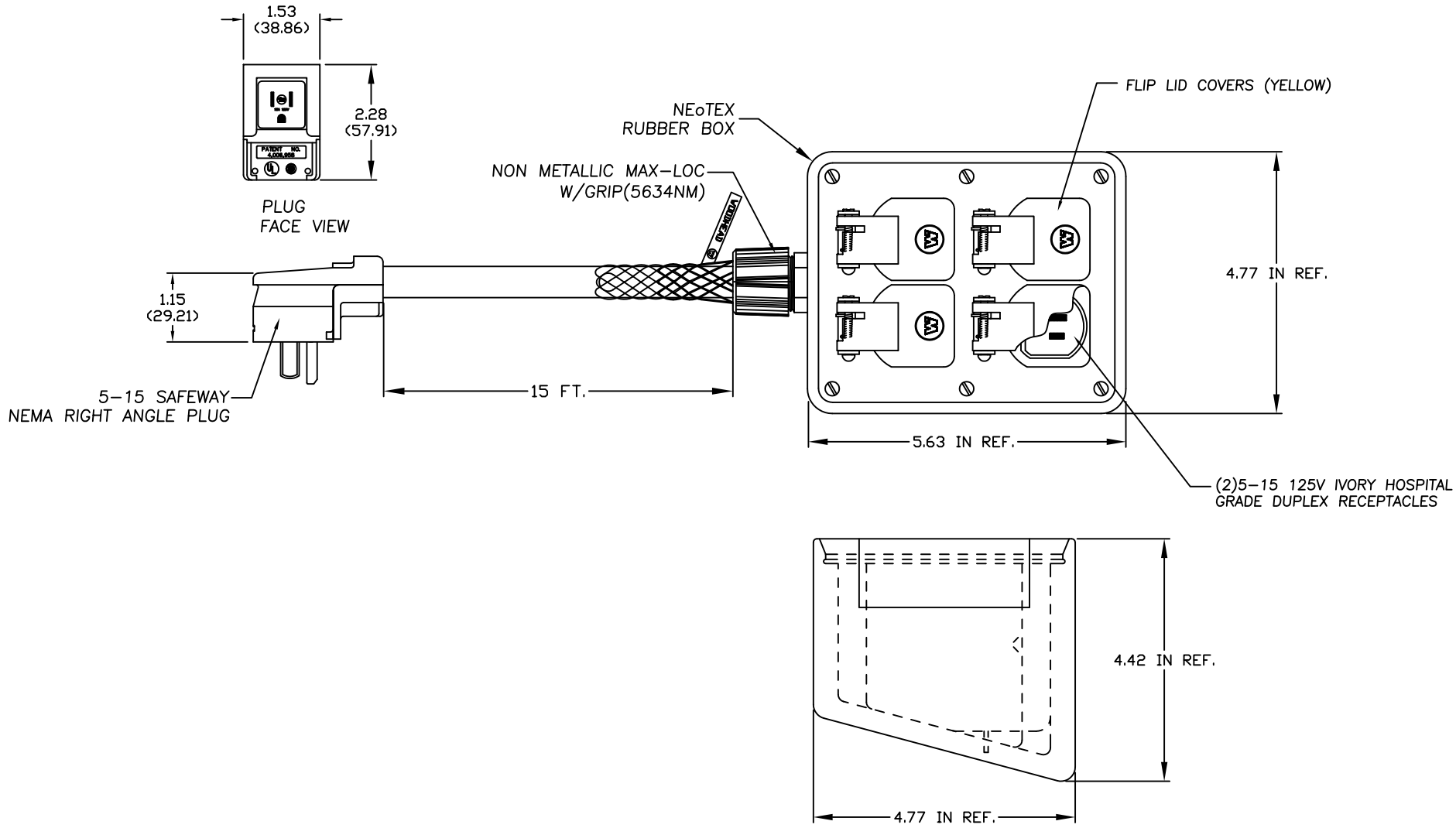
D

C

B

A

6 5 4 3 2 1



RELEASE DRAWING EC NO: WNA2011-0270 DRWN: TVICKERS 2010/08/13 CHKD: DW APPR: DTITUS 2010/12/06	DESCRIPTION REV	QUALITY SYMBOLS ▽=0 ∇=0	GENERAL TOLERANCES (UNLESS SPECIFIED)		DIMENSION STYLE IN/(MM)		SCALE NTS	DESIGN UNITS INCH	THIRD ANGLE PROJECTION			
		4 PLACES ±--- ±--- 3 PLACES ±--- ±.005 2 PLACES ±0.13 ±.010 1 PLACE ±0.25 ±.020	mm INCH ±--- ±--- ±--- ±.005 ±0.13 ±.010 ±0.25 ±.020	DRAWN BY DATE TVICKERS 2010/08/13 CHECKED BY DATE DW 2010/08/13 APPROVED BY DATE DTITUS 2010/12/06	TITLE 3330R ANGLED BOX W/15' #12/3 ANGLE PLUG & MESH		MOLEX INCORPORATED		DOCUMENT NO. SD-130135-039		SHEET NO. 1 OF 1	
		ANGULAR ±.5°		DRAFT WHERE APPLICABLE MUST REMAIN WITHIN DIMENSIONS		MATERIAL NO. 1301350380	THIS DRAWING CONTAINS INFORMATION THAT IS PROPRIETARY TO MOLEX INCORPORATED AND SHOULD NOT BE USED WITHOUT WRITTEN PERMISSION					
		SIZE A										
		A										

# Mouser Electronics

Authorized Distributor

Click to View Pricing, Inventory, Delivery & Lifecycle Information:

[Molex:](#)

[1301350380](#)