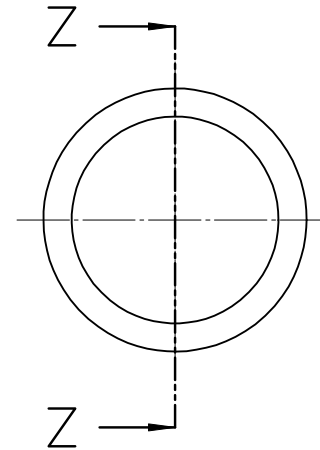
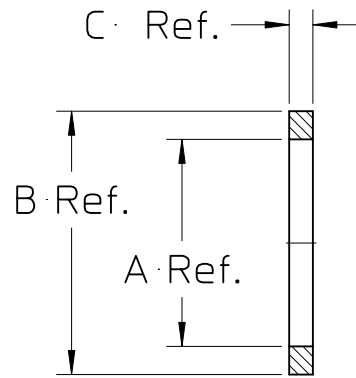


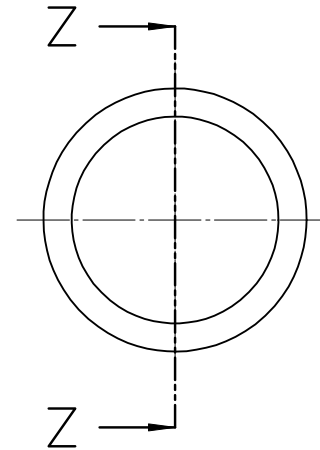
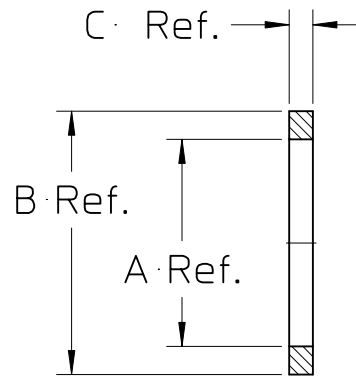
MATERIAL NUMBER	OLD PART NUMBER	A	B	C	N.P.T. SIZE REF.	MATERIAL	FINISH
1300990147	5609	.540	.687	.062	1/4"	Neoprene	Black
1300990148	5610	.687	.937	.062	3/8"	Neoprene	Black
1300990149	5611	.843	1.093	.078	1/2"	Neoprene	Black
1300990150	5612	1.062	1.312	.078	3/4"	Neoprene	Black
1300990151	5613	1.312	1.687	.078	1"	Neoprene	Black
1300990152	5614	1.671	2.046	.078	1-1/4"	Neoprene	Black



SECTION Z-Z

ENTER DESCRIPTION EC NO: WNA2009-0773 DRWN: NKUMAR01 2009/05/25 CHKD: APPR: JFMURPHY 2009/07/08 DESCRIPTION	QUALITY SYMBOLS ▽=0 ∇=0	GENERAL TOLERANCES (UNLESS SPECIFIED)		DIMENSION STYLE IN/MM		SCALE 2:1	DESIGN UNITS INCH	THIRD ANGLE PROJECTION		
			mm	INCH	DRAWN BY NKUMAR01	DATE 25/05/09	TITLE GASKET SEAL - 1/4 MAX-LOC SEE00-5089			
		4 PLACES	± ---	± ---	CHECKED BY BWOODMAN	DATE 25/05/09				
		3 PLACES	± ---	± ---	APPROVED BY JFMURPHY		DATE 25/05/09	MOLEX INCORPORATED		
2 PLACES	± ---	± 0.010	MATERIAL NO. SEE CHART		DOCUMENT NO. SD-130099-147	SHEET NO. 1 OF 1				
1 PLACE	± 0.3	± ---	ANGULAR ± 1/2°		THIS DRAWING CONTAINS INFORMATION THAT IS PROPRIETARY TO MOLEX INCORPORATED AND SHOULD NOT BE USED WITHOUT WRITTEN PERMISSION					
DRAFT WHERE APPLICABLE MUST REMAIN WITHIN DIMENSIONS										

MATERIAL NUMBER	OLD PART NUMBER	A	B	C	N.P.T. SIZE REF.	MATERIAL	FINISH
1300990147	5609	.540	.687	.062	1/4"	Neoprene	Black
1300990148	5610	.687	.937	.062	3/8"	Neoprene	Black
1300990149	5611	.843	1.093	.078	1/2"	Neoprene	Black
1300990150	5612	1.062	1.312	.078	3/4"	Neoprene	Black
1300990151	5613	1.312	1.687	.078	1"	Neoprene	Black
1300990152	5614	1.671	2.046	.078	1-1/4"	Neoprene	Black



SECTION Z-Z

ENTER DESCRIPTION EC NO: WNA2009-0773 DRWN: NKUMAR01 2009/05/25 CHKD: APPR: JFMURPHY 2009/07/08 DESCRIPTION	QUALITY SYMBOLS	GENERAL TOLERANCES (UNLESS SPECIFIED)		DIMENSION STYLE IN/MM		SCALE 2:1	DESIGN UNITS INCH	THIRD ANGLE PROJECTION		
	$\blacktriangledown = 0$ $\nabla = 0$		mm	INCH	DRAWN BY NKUMAR01	DATE 25/05/09	TITLE GASKET SEAL - 1/4 MAX-LOC SEE00-5089			
		4 PLACES	± ---	± ---	CHECKED BY BWOODMAN	DATE 25/05/09				
		3 PLACES	± ---	± ---	APPROVED BY JFMURPHY	DATE 25/05/09	MOLEX INCORPORATED DOCUMENT NO. SD-130099-147 SHEET NO. 1 OF 1			
	2 PLACES	± ---	± 0.010	MATERIAL NO. SEE CHART						
	1 PLACE	± 0.3	± ---	ANGULAR ± 1/2°						
		DRAFT WHERE APPLICABLE MUST REMAIN WITHIN DIMENSIONS		SIZE A		THIS DRAWING CONTAINS INFORMATION THAT IS PROPRIETARY TO MOLEX INCORPORATED AND SHOULD NOT BE USED WITHOUT WRITTEN PERMISSION				

Mouser Electronics

Authorized Distributor

Click to View Pricing, Inventory, Delivery & Lifecycle Information:

[Molex:](#)

[1300990149](#)