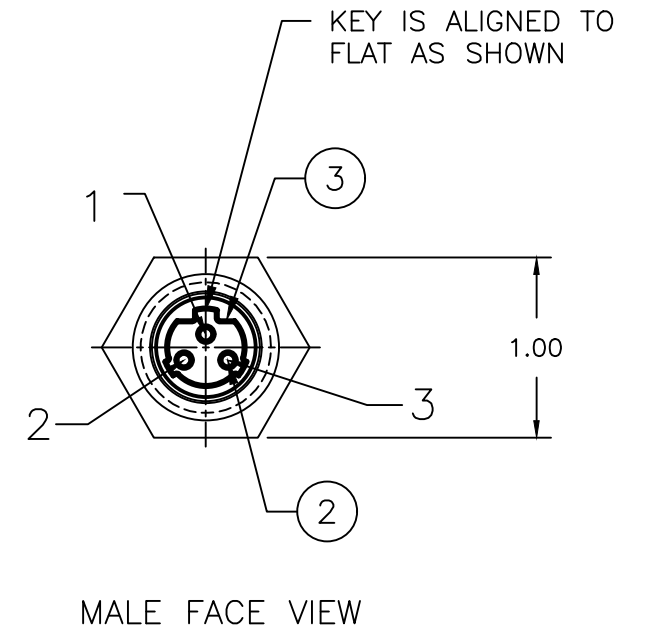
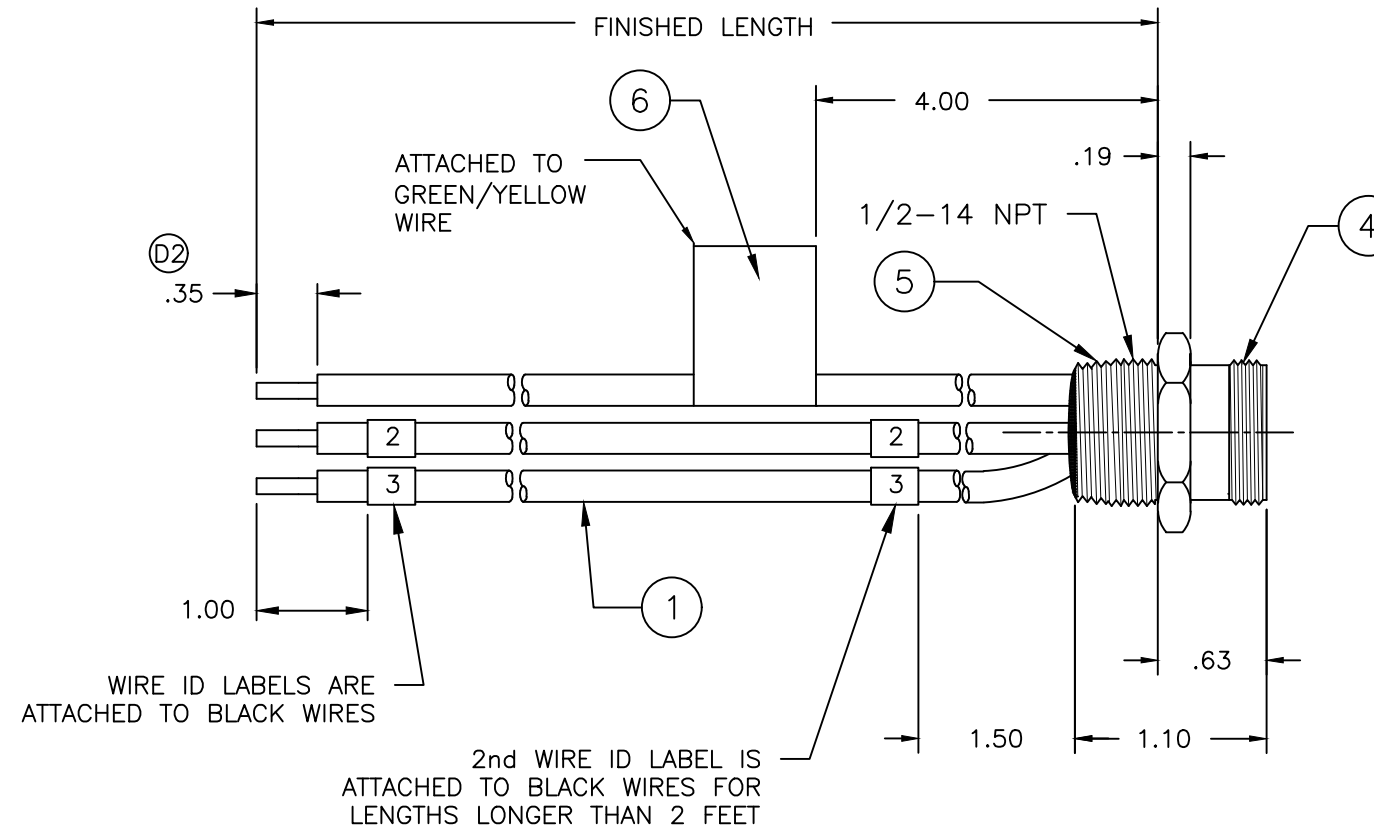
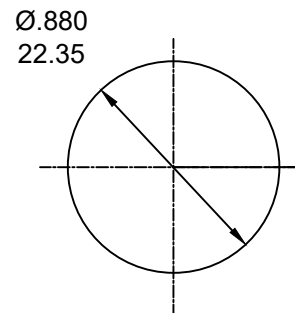


CABLE LENGTH TOLERANCES

>.3M [1FT]:	+19mm-0 [+.75in-0]
.3 - .9M [1 - 3FT]:	+44.5mm-0 [+1.75in-0]
.9 - 1.8M [3 - 6FT]:	+55.6mm-0 [+2.19in-0]
1.8 - 3.7M [6 - 12FT]:	+88.9mm-0 [+3.50in-0]
3.7 - 7.3M [12 - 24FT]:	+165.1mm-0 [+6.50in-0]
7.3-14.6M [24 - 48FT]:	+317.5mm-0 [+12.50in-0]
14.6 - 30.5M [48-100FT]:	+622.3mm-0 [+24.50in-0]
OVER 30M [100FT]	+2% OF FINISHED LENGTH



- NOTES:**
- MATERIAL: AS NOTED
 - FINISH: AS NOTED
 - ELECTRICAL:
VOLTAGE: 500V PER IEC60664
600V PER UL2237
CURRENT: 15A
 - TEMP RATING: -20°TO +90°C
 - PROTECTION: IP67 (WHEN MATED)
 - COUPLING THREAD: 7/8-16UN
 - UL LISTED FILE: E258922
 - ALL DIMS ARE FOR REFERENCE UNLESS NOTED OTHERWISE



REF. KNOCKOUT HOLE

1R3106A83M005G

Wire type
14 AWG

LEAD LENGTH
M005 = 0.5 METER
M010 = 1 METER
M100 = 10 METER

GREEN/YELLOW	1
BLACK #2	2
BLACK #3	3

WIRING DIAGRAM

PART NO.	ENGINEERING NO.	FINISHED LENGTH
1300660326	1R3106A83M005G	0.5M+44.5mm-0 [19.69 IN +1.75-0]

ITEM	DESCRIPTION	MATERIAL	FINISH
6	FLAG LABEL	VINYL	BLACK/YELLOW
5	POTTING MATERIAL	EPOXY	
4	WIRE, 14 AWG (UL1015)	PVC INSULATION	SEE WIRE DIAGRAM
3	CONTACT PIN	COPPER ALLOY	GOLD PLATED
2	MALE INSERT	TPE	BLACK
1	RECEPTACLE SHELL	ZINC DIE-CAST	BLACK

SYMBOLS	THIS DRAWING CONTAINS INFORMATION THAT IS PROPRIETARY TO MOLEX ELECTRONIC TECHNOLOGIES, LLC AND SHOULD NOT BE USED WITHOUT WRITTEN PERMISSION		
	DIMENSION UNITS	SCALE	
▽ = 0	INCH	1:1	MINI-CHANGE BRAD POWER RECEPTACLE 3P MALE, TRI-KEY, #14, PVC WIRES
▽ = 0	GENERAL TOLERANCES (UNLESS SPECIFIED)		
▽ = 0			PRODUCT CUSTOMER DRAWING
▽ = 0	4 PLACES ±----	±----	
▽ = 0	3 PLACES ±----	±----	DOCUMENT NUMBER: SD-130066-072 DOC TYPE: PSD DOC PART: 001 REVISION: D2
▽ = 0	2 PLACES ±----	±----	
▽ = 0	1 PLACE ±----	±----	MATERIAL NUMBER: SEE P/N CHART CUSTOMER: GENERAL MARKET SHEET NUMBER: 1 OF 1
▽ = 0	0 PLACES ±----	±----	
⊠ = 0	ANGULAR TOL ± ---- °		
■ = 0	DRAFT WHERE APPLICABLE MUST REMAIN WITHIN DIMENSIONS	THIRD ANGLE PROJECTION	DRAWING: B-SIZE
▽ = 0			SERIES: 130066

Mouser Electronics

Authorized Distributor

Click to View Pricing, Inventory, Delivery & Lifecycle Information:

[Molex:](#)

[1300662022](#)