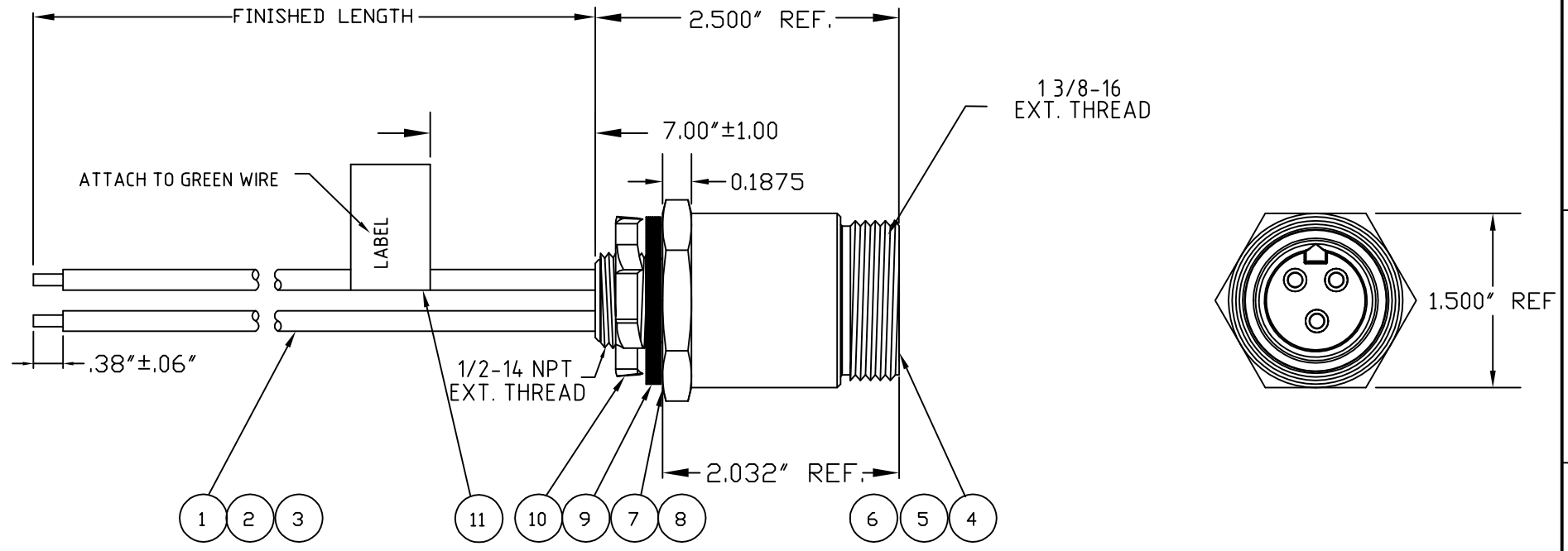
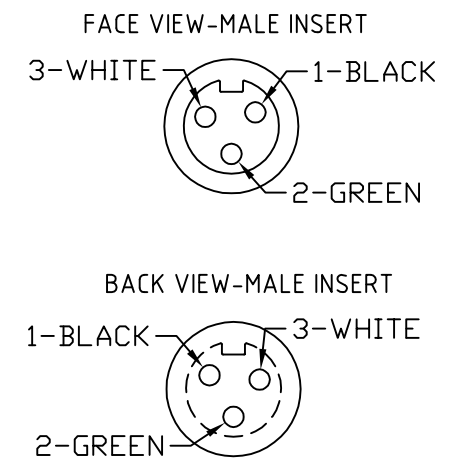


MATERIAL NUMBER	ENGINEERING NUMBER	FINISHED LENGTH
1300660139	CR3C06A29M006	0.6 METER
1300662010	CR3C06A29M0038	0.3 METER

(B)



- NOTES:
1. READ CUT LENGTH OF SHOP ORDER. QUANTITY IN USED/PPH WILL INDICATE LENGTH IN FEET AND FRACTIONS OF FEET
 2. WIRE LENGTH TOLERANCES PER S-175 UNLESS OTHERWISE SPECIFIED
 3. CRIMP MINIMUM PULLOUT FORCE PER S-186
 4. FASTEN INSERT AND CONDUCTORS TO SHELL WITH EPOXY PER STD-204
 5. MARK LABEL WITH RATINGS PER S-169
 6. ELECTRICAL TEST PER S-165
 7. PACKAGE PER S-188
 8. APPLY INSTALLATION INSTRUCTIONS PER S-192
 9. ASSEMBLY MUST BE ROHS COMPLIANT
 10. RATING 25A, 600V

11	1	FLAG LABEL	VINYL	YELLOW
10	1	3/4-14 NPT LOCKNUT	STEEL	ZINC PLATE
9	1	GASKET	NEOPRENE	BLACK
8	A/R	EPOXY HARDENER		BLACK
7	A/R	EPOXY RESIN		BLACK
6	1	RECEPTACLE SHELL	ALUMINUM ALLOY	CLEAR ANODIZED
5	1	MALE INSERT	PVC	BLACK
4	3	PIN CONTACT	COPPER ALLOY	GOLD PLATED
3	SEE TABLE	#12-1 WIRE PVC GREEN	PVC JACKET	GREEN
2	SEE TABLE	#12-1 WIRE PVC WHITE	PVC JACKET	WHITE
1	SEE TABLE	#12-1 WIRE PVC BLACK	PVC JACKET	BLACK
ITEM	QTY	DESCRIPTION	MATERIAL NUMBER	ENGINEERING NUMBER

EC NO: WNA2009-0743 DRWN: MODELL 5/12/09 CHKD: --- APPR: RDEROSS 2009/05/13	QUALITY SYMBOLS ▽=0 ▽=0	GENERAL TOLERANCES (UNLESS SPECIFIED)		DIMENSION STYLE		SCALE	DESIGN UNITS	THIRD ANGLE PROJECTION	
		mm	INCH	---		---	---		
		4 PLACES	±---	±---	DRAWN BY: MODELL		DATE: 2008/09/10		
		3 PLACES	±---	±---	CHECKED BY: RDEROSS		DATE: 2008/09/10		
DRAFT WHERE APPLICABLE MUST REMAIN WITHIN DIMENSIONS		ANGULAR ±---°		APPROVED BY: RDEROSS		DATE: 2008/09/10		TITLE: QC MALE 12 AWG 3/4" NPT RECPT 3 POLE MOLEX INCORPORATED	
SEE TABLE		MATERIAL NO.		DOCUMENT NO.		SHEET NO.			
SIZE B		THIS DRAWING CONTAINS INFORMATION THAT IS PROPRIETARY TO MOLEX INCORPORATED AND SHOULD NOT BE USED WITHOUT WRITTEN PERMISSION							

Mouser Electronics

Authorized Distributor

Click to View Pricing, Inventory, Delivery & Lifecycle Information:

[Molex:](#)

[1300662010](#)