

- NOTE:
- 1) MATERIAL: SEE TABLE
 - 2) FINISHES: SEE TABLE
 - 3) FLAG LABEL IS MARKED WITH PART No., DATE CODE, VOLTAGE AND AMPERAGE
 - 4) ELECTRICAL DATA
POLE: 4
MAX. VOLTAGE: IEC60664 600V
UL2237 600V
MAX. CURRENT: 25A
 - 5) ENVIRONMENTAL
PROTECTION: IP67
TEMPERATURE RATING: -20C TO 90C
 - 6) PACKAGING:
ASSEMBLIES ARE BAGGED SEPARATELY IN POLY BAGS WITH BAR CODE LABEL ATTACHED TO OUTSIDE OF BAG
 - 7) ASSEMBLY IS RoHS COMPLIANT
 - 8) CERTIFICATION
UL2237
 - 9) DIMENSIONS ARE REFERENCE UNLESS OTHERWISE SPECIFIED

PART NUMBER MATRIX

3R4100A84M0033

- | | |
|---|--------------|
| 1 | BLACK #1 |
| 2 | BLACK #2 |
| 3 | BLACK #3 |
| 4 | GREEN YELLOW |

WIRING DIAGRAM

WIRE TYPE: 12 AWG
 LEAD LENGTH:
 M003 = 0.3 METER
 M010 = 1 METER
 M100 = 10 METER

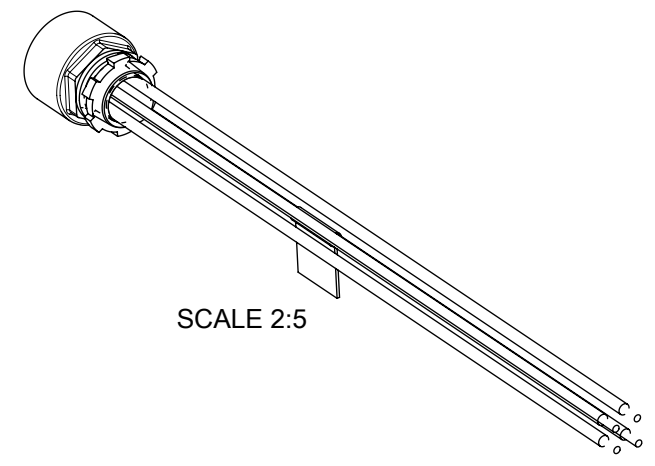


CHART	PART NO.	ENGINEERING NO.	FINISHED LENGTH
	1300660320	3R4100A84M0033	0.3M (11.8")
	1300660323	3R4100A84M0103	1.0M (39.4")
	1300662020	3R4100A84M0303	3.0M (118.1")

ITEM	DESCRIPTION	MATERIAL	FINISH
9	FLAG LABEL	VINYL	YELLOW
8	EPOXY COMPOUND	----	BLACK
7	LOCK NUT	STEEL	ZINK PLATED
6	GASKET	NITRILE	BLACK
5	RECEPTACLE SHELL	BRASS	NICKEL PLATED
4	4P FEMALE INSERT	TPE	BLACK
3	SOCKET SLEEVE	STAINLESS STEEL	-----
2	SOCKET CONTACT	BRASS	GOLD PLATED
1	12 AWG WIRE	PVC INSULATION	----

CABLE LENGTH TOLERANCES

>.3M [1FT]: +19mm-0 [+.75in-0]

.3 - .9M [1 - 3FT]: +44.5mm-0 [+1.75in-0]

.9 - 1.8M [3 - 6FT]: +55.6mm-0 [+2.19in-0]

1.8 - 3.7M [6 - 12FT]: +88.9mm-0 [+3.50in-0]

3.7 - 7.3M [12 - 24FT]: +165.1mm-0 [+6.50in-0]

7.3-14.6M [24 - 48FT]: +317.5mm-0 [+12.50in-0]

14.6 - 30.5M [48-100FT]: +622.3mm-0 [+24.50in-0]

OVER 30M [100FT]: +2% OF FINISHED LENGTH

THIS DRAWING CONTAINS INFORMATION THAT IS PROPRIETARY TO MOLEX ELECTRONIC TECHNOLOGIES, LLC AND SHOULD NOT BE USED WITHOUT WRITTEN PERMISSION

CHANGE DOC TYPE EC NO: 174571 DRWN: MZIELINSKI CHKD: TWOLDEGEBRIE APPR: BWOODMAN	2018/04/03	2018/04/26	2018/04/30	GENERAL TOLERANCES (UNLESS SPECIFIED) DIMENSION UNITS: INCH SCALE: 1:1 DRWN BY: TWOLDEGEBRIE DATE: 2016/07/11 CHK'D BY: KCOX01 DATE: 2016/11/09 APPR BY: BWOODMAN DATE: 2016/11/14 DRAWING SIZE: B THIRD ANGLE PROJECTION				
	ANGULAR TOL ± ° 4 PLACES ± 3 PLACES ± 2 PLACES ± 1 PLACE ± 0 PLACES ±				MINI CHANGE BRAD POWER 4-POLE FEMALE TRI-KEY C SIZE REEPTACLE 12/1C AWG PVC			
	DRAFT WHERE APPLICABLE MUST REMAIN WITHIN DIMENSIONS				PRODUCT CUSTOMER DRAWING			
	SERIES: 130066 MATERIAL NUMBER: SEE CHART CUSTOMER:				DOCUMENT NUMBER: 1300660320 DOC TYPE: PSD DOC PART: 000 SHEET NUMBER: 1 OF 1			

Mouser Electronics

Authorized Distributor

Click to View Pricing, Inventory, Delivery & Lifecycle Information:

[Molex:](#)

[1300660320](#)