

PLEASE CHECK WWW.MOLEX.COM FOR LATEST PART INFORMATION

Part Number: [1300660260](#)
Status: **Active**
Overview: BradPower Cordsets and Receptacles
Description: BradPower D-Size (1 3/8"-M35) Brad Power Receptacle, 4 Poles, Female, 1/2" - 14 NPT, 10/1 AWG, 0.5m (19.7") Length, Alt Key

Documents:

[Drawing \(PDF\)](#) [RoHS Certificate of Compliance \(PDF\)](#)

Agency Certification

UL E258922

General

Product Family Industrial Receptacles
 Series [130066](#)
 IP Rating IP67
 Overview [BradPower Cordsets and Receptacles](#)
 Product Name BradPower D-Size
 Type Single Ended (pigtail)
 UPC 78172512565

Physical

Coupling Type Internal Thread
 Gender Female
 Keyway Alternate
 Length 0.50m
 Material - Component Black Anodized Aluminum
 Mounting Thread Size 1/2" - 14 NPT
 Orientation Straight
 Panel Mount Front
 Poles 4
 Temperature Range - Operating -20° to +90°C
 Wire Size AWG 10
 Wire/Cable Type THHN

Electrical

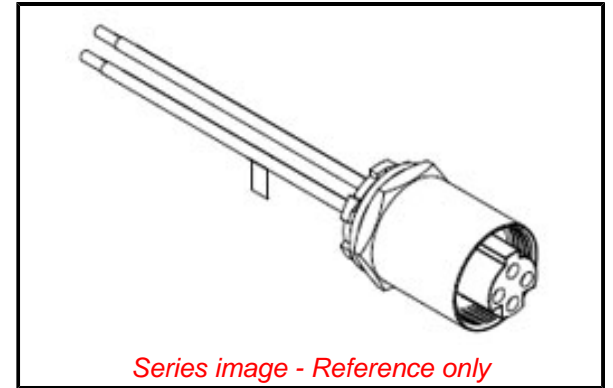
Current - Maximum per Contact 25.0A
 Voltage - Maximum 600V

Material Info

Engineering Number CR4100A30M005

Reference - Drawing Numbers

Sales Drawing SD-130066-063-001



EU ELV

Not Reviewed

EU RoHS

Not Reviewed

REACH SVHC

Not Reviewed

Halogen-Free

Status

Not Reviewed

For more information, please visit [Contact US](#)

China ROHS

Not Reviewed

ELV

Not Reviewed

RoHS Phthalates

Not Reviewed

Search Parts in this Series

[130066 Series](#)

Mouser Electronics

Authorized Distributor

Click to View Pricing, Inventory, Delivery & Lifecycle Information:

[Molex:](#)

[1300660260](#)