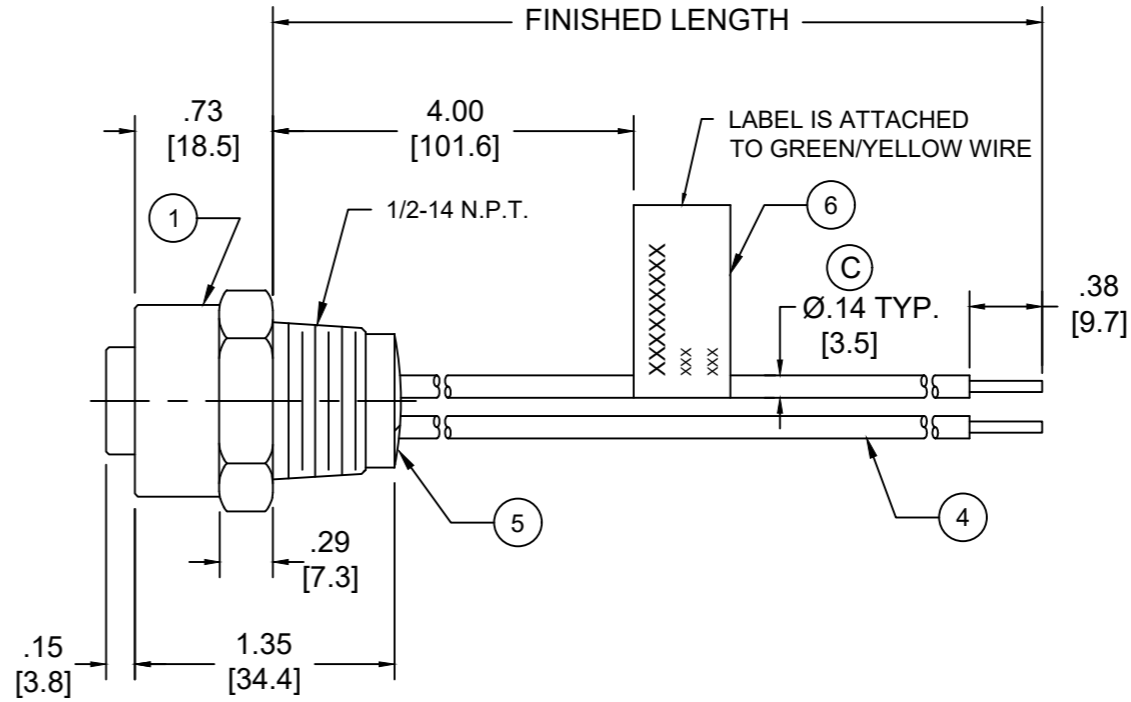
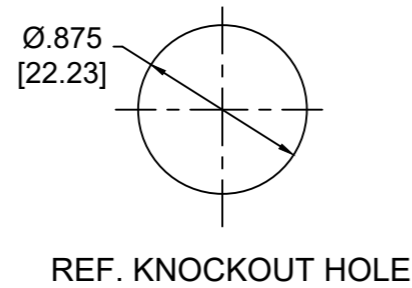
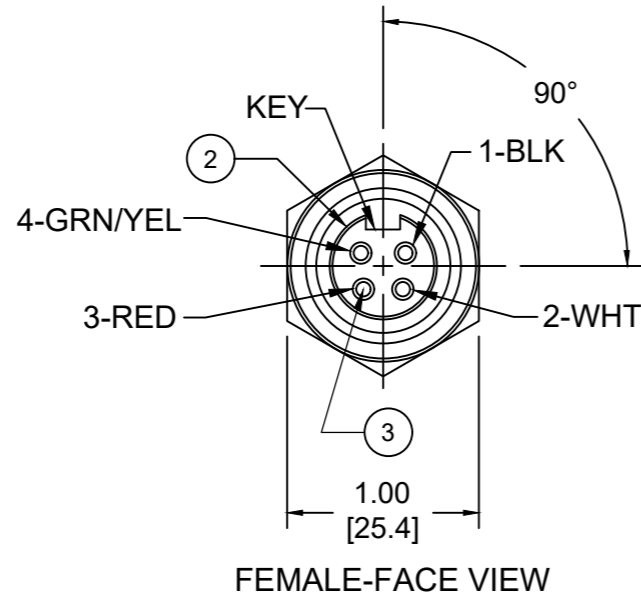


PART NO	ENGINEERING NO.	FINISHED LENGTH
1300660064	1R4000A28A060G	6IN [0.5 FT]
1300660068	1R4000A28F020G	2 FT[0.6M]
1300660074	1R4000A28M030G	3M [9 FT 10 IN]



- NOTES:
- MATERIAL: AS NOTED
 - FINISH: AS NOTED
 - ELECTRICAL:
VOLTAGE: 483V PER IEC60664
600V PER UL2237
CURRENT: 15A
 - TEMP RATING: -20°TO +105°C (C)
 - PROTECTION: IP67 (WHEN MATED)
 - COUPLING THREAD: 7/8-16UN
 - UL LISTED FILE: E258922
 - ALL DIMENSIONS ARE FOR REFERENCE UNLESS TOLERANCED OR NOTED OTHERWISE

PART NO. MATRIX
1R4000A28A060G

FINISHED LENGTH:
A060= 6 IN.
F020= 2 FEET
M005= 0.5 METER
M010= 1 METER
M100= 10 METER

CABLE LENGTH TOLERANCES	
<.3M [1FT]:	+19mm-0 [+1.75in-0]
.3 - .9M [1 - 3FT]:	+44.5mm-0 [+1.75in-0]
.9 - 1.8M [3 - 6FT]:	+55.6mm-0 [+2.19in-0]
1.8 - 3.7M [6 - 12FT]:	+88.9mm-0 [+3.50in-0]
3.7 - 7.3M [12 - 24FT]:	+165.1mm-0 [+6.50in-0]
7.3-14.6M [24 - 48FT]:	+317.5mm-0 [+12.50in-0]
14.6 - 30.5M [48-100FT]:	+622.3mm-0 [+24.50in-0]
OVER 30M [100FT]	+2% OF FINISHED LENGTH

ITEM	DESCRIPTION	MATERIAL	FINISH
6	FLAG LABEL	VINYL	BLACK/YELLOW
5	POTTING MATERIAL	EPOXY	
4	WIRE, 14 AWG (UL1015)	PVC INSULATION	SEE FACE VIEW
3	CONTACT SOCKET	COPPER ALLOY	GOLD PLATED
2	FEMALE INSERT	TPE	BLACK
1	RECEPTACLE SHELL	ZINC DIE-CAST	NICKEL PLATED

FUNCTIONAL SYMBOLS F=0 E=0 P=0	THIS DRAWING CONTAINS INFORMATION THAT IS PROPRIETARY TO MOLEX ELECTRONIC TECHNOLOGIES, LLC AND SHOULD NOT BE USED WITHOUT WRITTEN PERMISSION		CURRENT REV DESC: ITEM #2 WAS PVC. ADDED CABLE DIA, MODIFIED TEMP RATING AND MATERIAL NUMBER CHART			
	GENERAL TOLERANCES (UNLESS SPECIFIED)					
	DIVISIONAL SYMBOLS		EC NO: 663067		BRAD POWER RECEPTACLE A-SIZE	
	DRAFT WHERE APPLICABLE MUST REMAIN WITHIN DIMENSIONS		THIRD ANGLE PROJECTION		DRAWING B-SIZE	

4 PLACES ±----	±----	DRWN: ABENJAMINLW	2021/02/08	4 POLE, FEMALE, STRAIGHT, SINGLE KEY, #14 AWG	
3 PLACES ±----	±----	CHK'D: RSTONE	2021/05/06	PRODUCT CUSTOMER DRAWING	
2 PLACES ±----	±----	APPR: BWOODMAN	2021/05/13	DOCUMENT NUMBER	
1 PLACE ±----	±----	INITIAL REVISION:		SD-130066-076	
0 PLACES ±----	±----	DRWN: RSTONE		DOC TYPE/DOC PART/REVISION	
ANGULAR TOL ± ---- °		APPR: BWOODMAN		PSD 001 C	
		SERIES 130066		SHEET NUMBER 1 OF 1	

Mouser Electronics

Authorized Distributor

Click to View Pricing, Inventory, Delivery & Lifecycle Information:

[Molex:](#)

[1300660241](#)