

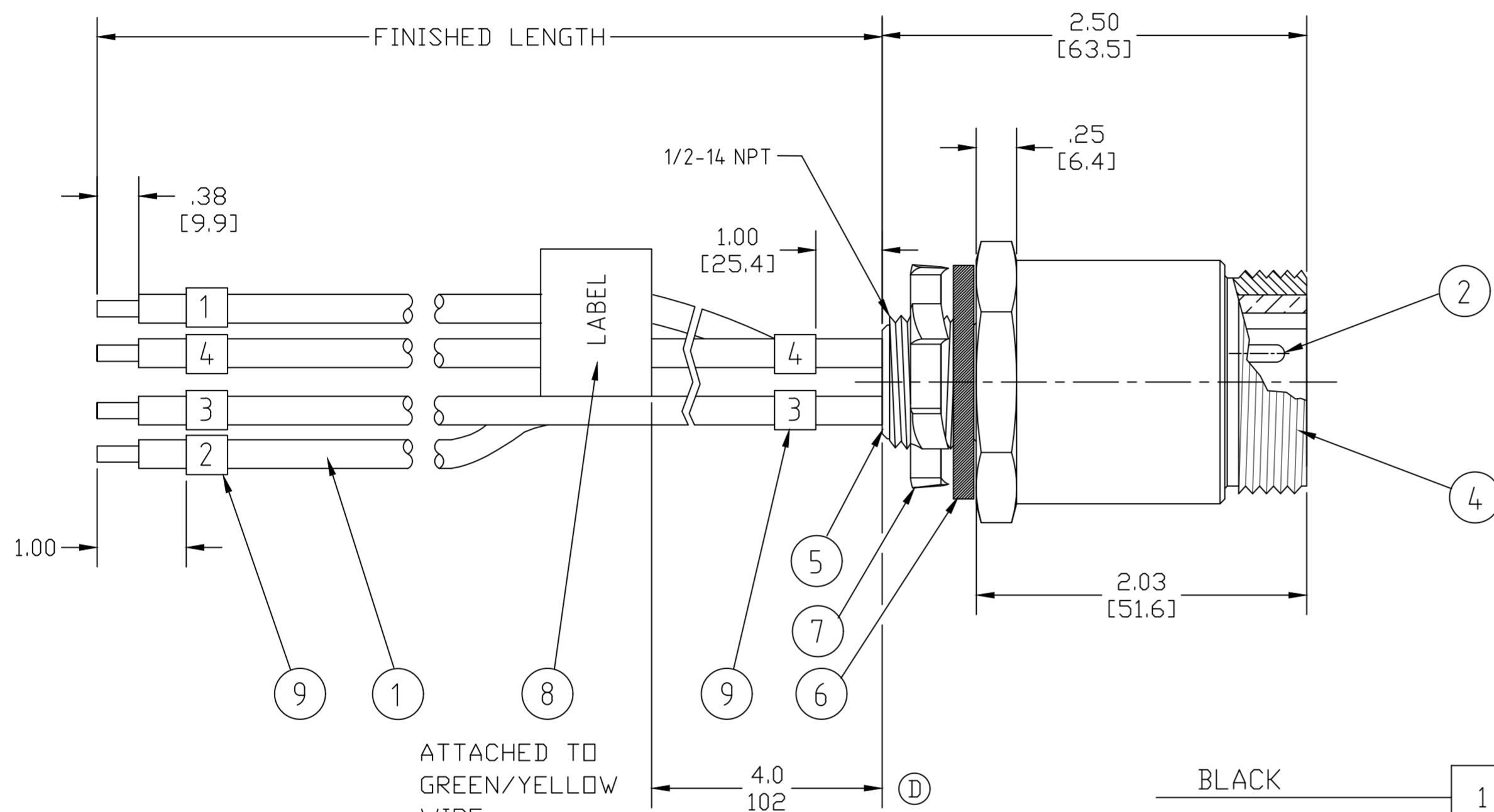
| MATERIAL NUMBER | ENGINEERING NUMBER | FINISHED LENGTH |
|-----------------|--------------------|-----------------|
| 1300660232 | CR4006A76M010 | 1M (3' 3") |
| 1300660233 | CR4006A76M020 | 2M (6' 7") |
| 1300660234 | CR4006A76M030 | 3m (9' 10") |
| 1300660236 | CR4006A76M005 | 0.5m (1' 8") |

① PART NUMBER LEGEND
CR4006A76M010

LENGTH
M005 = 0.5 METER
M010 = 1 METER
M100 = 10 METER

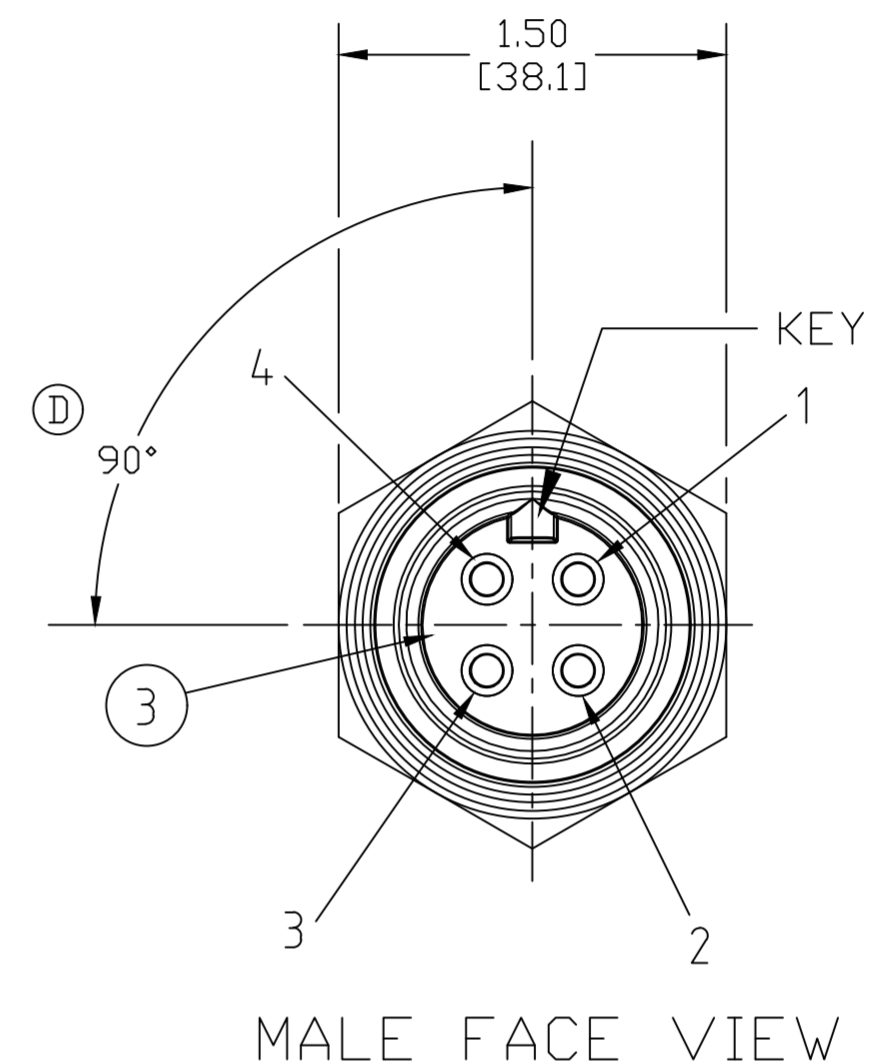
CABLE LENGTH TOLERANCES

| | |
|-------------------------|-------------------------|
| <.3M [1FT] | +19mm-0 [+0.75in-0] |
| .3 - .9M [1 - 3FT] | +44.5mm-0 [+1.75in-0] |
| .9 - 1.8M [3 - 6FT] | +55.6mm-0 [+2.19in-0] |
| 1.8 - 3.7M [6 - 12FT] | +88.9mm-0 [+3.50in-0] |
| 3.7 - 7.3M [12 - 24FT] | +165.1mm-0 [+6.50in-0] |
| 7.3-14.6M [24 - 48FT] | +317.5mm-0 [+12.50in-0] |
| 14.6 - 30.5M [48-100FT] | +622.3mm-0 [+24.50in-0] |
| OVER 30M [100FT] | +2% OF FINISHED LENGTH |



| | |
|--------------|---|
| BLACK | 1 |
| GREEN-YELLOW | 2 |
| BLACK | 3 |
| BLACK | 4 |

① WIRING DIAGRAM

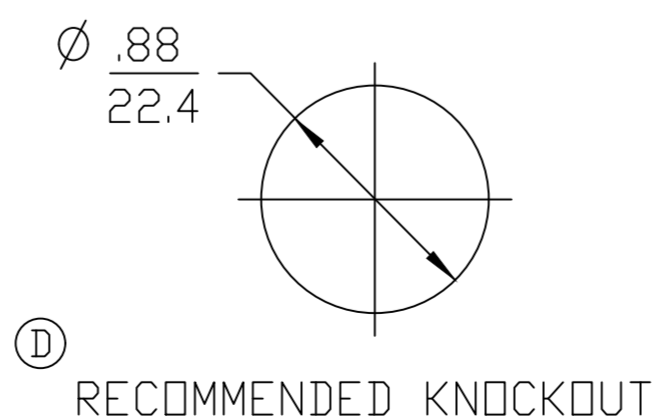


MALE FACE VIEW

NOTES:

1. MATERIAL: AS NOTED
2. FINISH: AS NOTED
3. ELECTRICAL:
VOLTAGE: 4P: 500V PER IEC60664
600V PER UL2237
CURRENT: 32A
4. TEMP RATING: -20°TO +90°C
5. PROTECTION: IP67 (WHEN MATED)
6. COUPLING THREAD: 1 3/8-16 UN
7. UL LISTED FILE: E258922
8. ALL DIMS ARE FOR REFERENCE UNLESS NOTED OR TOLERANCED OTHERWISE

| | | | |
|------|-----------------------|--------------|----------------|
| 9 | WIRE IDENTIFIER LABEL | VINYL | BLACK ON WHITE |
| 8 | FLAG LABEL | VINYL | YELLOW |
| 7 | 1/2-14 NPT LOCKNUT | STEEL | ZINC PLATE |
| 6 | GASKET | NEOPRENE | BLACK |
| 5 | POTTING | EPOXY | BLACK |
| 4 | RECEPTACLE SHELL | ALUMINUM | ANODIZED |
| 3 | MALE INSERT | TPE | BLACK |
| 2 | CONTACT PIN | COPPER ALLOY | GOLD PLATED |
| 1 | #10-1 WIRE UL1015 | PVC JACKET | SEE FACE VIEW |
| ITEM | DESCRIPTION | MATERIAL | FINISH |



| FUNCTIONAL SYMBOLS | | | | | | | | | |
|--|-------|-------|---|--|--|--------------|--|---------------------|--|
| FA=0 | FC=0 | FD=0 | THIS DRAWING CONTAINS INFORMATION THAT IS PROPRIETARY TO MOLEX ELECTRONIC TECHNOLOGIES, LLC AND SHOULD NOT BE USED WITHOUT WRITTEN PERMISSION | | | | | | |
| DIMENSION UNITS | | SCALE | | CURRENT REV DESC: LABEL DIM WAS 7.00, ADD 90 DEG FOR KEY, WIRE DIAGRAM & KNOCKOUT HOLE, UPDATE BORDER ADD P/N LEGEND | | | | | |
| INCH/MM | | 1:1 | | EC NO: 646752 | | | | | |
| GENERAL TOLERANCES (UNLESS SPECIFIED) | | | | | | | | | |
| | | mm | INCH | DRWN: RSTONE 2020/10/07 | | | | | |
| 4 PLACES | ±---- | ±---- | | CHK'D: CCHRSTKA 2020/10/09 | | | | | |
| 3 PLACES | ±---- | ±---- | | APPR: BWOODMAN 2020/10/12 | | | | | |
| 2 PLACES | ±---- | ±---- | | INITIAL REVISION: | | | | | |
| 1 PLACE | ±---- | ±---- | | DRWN: MODELL 2008/04/28 | | | | | |
| 0 PLACES | ±---- | ±---- | | APPR: JFMURPHY 2008/05/22 | | | | | |
| ANGULAR TOL ± | | ---- | | THIRD ANGLE PROJECTION | | | | | |
| DRAFT WHERE APPLICABLE MUST REMAIN WITHIN DIMENSIONS | | | | DRAWING | | SERIES | | MATERIAL NUMBER | |
| | | | | C-SIZE | | 130066 | | SEE P/N LEGEND | |
| DOCUMENT STATUS | | | | P1 | | RELEASE DATE | | 2020/10/12 21:41:55 | |
| DOCUMENT NUMBER | | | | DOC TYPE/DOC PART | | REVISION | | | |
| SD-130066-006 | | | | PSD | | 001 | | D | |
| CUSTOMER | | | | SHEET NUMBER | | | | | |
| GM | | | | 1 OF 1 | | | | | |

Mouser Electronics

Authorized Distributor

Click to View Pricing, Inventory, Delivery & Lifecycle Information:

[Molex:](#)

[1300660236](#)