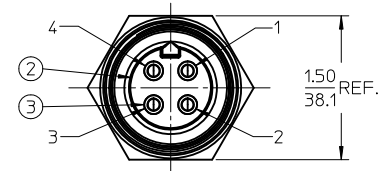
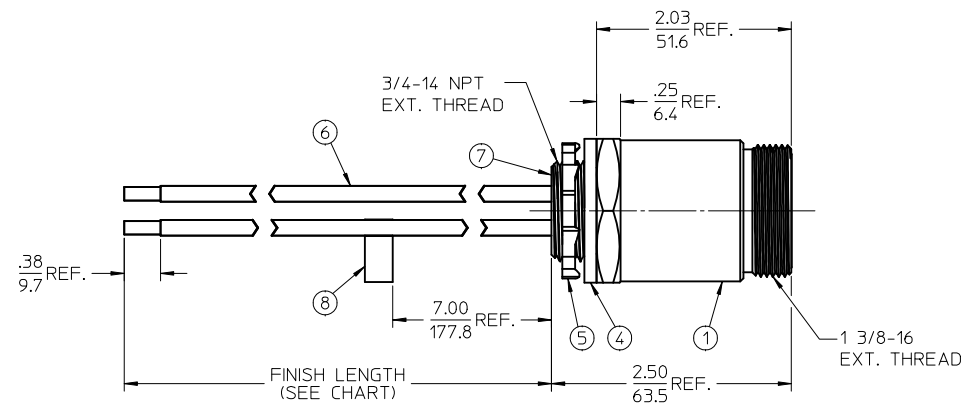
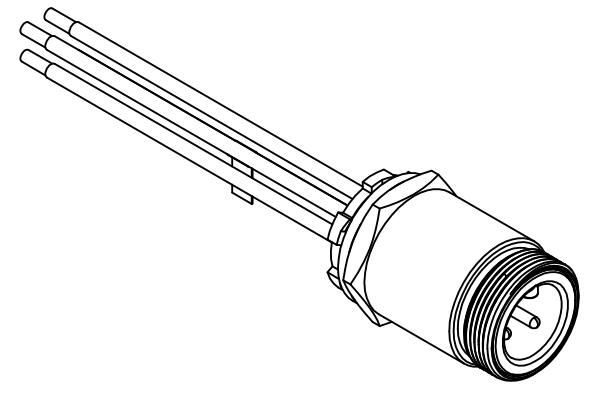
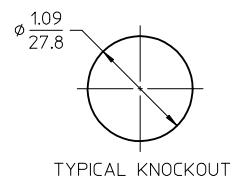


MATERIAL NUMBER	OLD PART NUMBER	FINISH LENGTH
1300660203	CR4C06A30M005	1.64' +1.75"/-0 [0.5M +44.5/-0]



1	BLACK
2	GREEN
3	RED
4	WHITE

WIRING DIAGRAM



- NOTES:
1. MATERIAL: SEE TABLE
  2. FINISHES: SEE TABLE
  3. PACKAGING: PART IS PACKED IN POLY BAG.
  4. FLAG LABEL LOCATED ON GREEN WIRE.
  5. MATES WITH: QC 4 POLE FEMALE CABLE ASSEMBLY.
  6. ELECTRICAL SPECIFICATIONS:  
VOLTAGE RATING: 600V AC/DC  
CURRENT RATING: 25 AMPS

ITEM	QTY.	DESCRIPTION	MATERIAL	FINISH
8	1	FLAG LABEL	VINYL	YELLOW
7	A/R	POTTING	EPOXY	BLACK
6	4	#10-1 WIRE THHN	PVC JACKET	SEE WIRING DIAGRAM
5	1	LOCKNUT	STEEL	ZINC PLATED
4	1	GASKET	NEOPRENE	BLACK
3	4	PIN CONTACT	COPPER ALLOY	GOLD PLATED
2	1	MALE INSERT, 4 POLE	PVC	BLACK
1	1	RECEPTACLE SHELL	ALUMINUM	CLEAR ANODIZED

INITIAL RELEASE	EC NO: MNA2010-0433	DRWN:CLYORK 2010/01/19	CHKD:WOODMAN 2010/01/19	APPR:DTITUS 2010/01/20
DESCRIPTION	QUALITY SYMBOLS	$\nabla=0$ $\nabla=0$		

GENERAL TOLERANCES (UNLESS SPECIFIED)	DIMENSION STYLE	SCALE	DESIGN UNITS	THIRD ANGLE PROJECTION
	IN/MM	1:1	INCH	
4 PLACES ± --- ± ---	mm INCH	DRAWN BY	DATE	TITLE
3 PLACES ± --- ± ---	CLYORK 2010/01/18	CHECKED BY	DATE	BRAD POWER MALE, 3/4" NPT, 4 POLE, AC RECEPTACLE ASSEMBLY
2 PLACES ± --- ± .010	BWOODMAN 2010/01/19	APPROVED BY	DATE	MOLEX INCORPORATED
1 PLACE ± 0.3 ± ---	DTITUS 2010/01/20	MATERIAL NO.	DOCUMENT NO.	SHEET NO.
ANGULAR ±1/2°	SEE CHART		SD-130066-057	1 OF 1
DRAFT WHERE APPLICABLE MUST REMAIN WITHIN DIMENSIONS	SIZE	THIS DRAWING CONTAINS INFORMATION THAT IS PROPRIETARY TO MOLEX INCORPORATED AND SHOULD NOT BE USED WITHOUT WRITTEN PERMISSION		

# Mouser Electronics

Authorized Distributor

Click to View Pricing, Inventory, Delivery & Lifecycle Information:

[Molex:](#)

[1300660200](#)