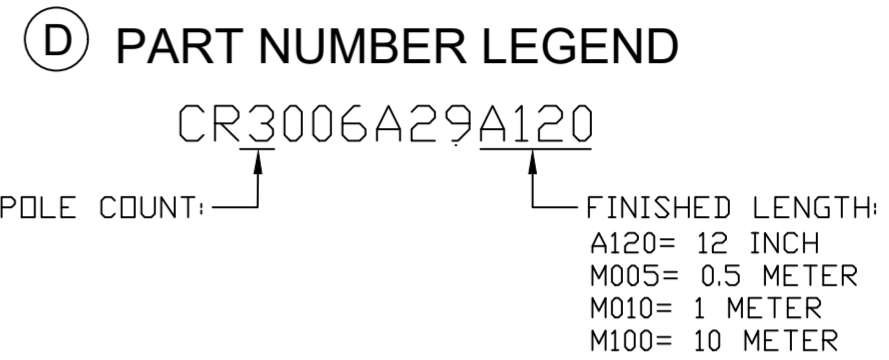


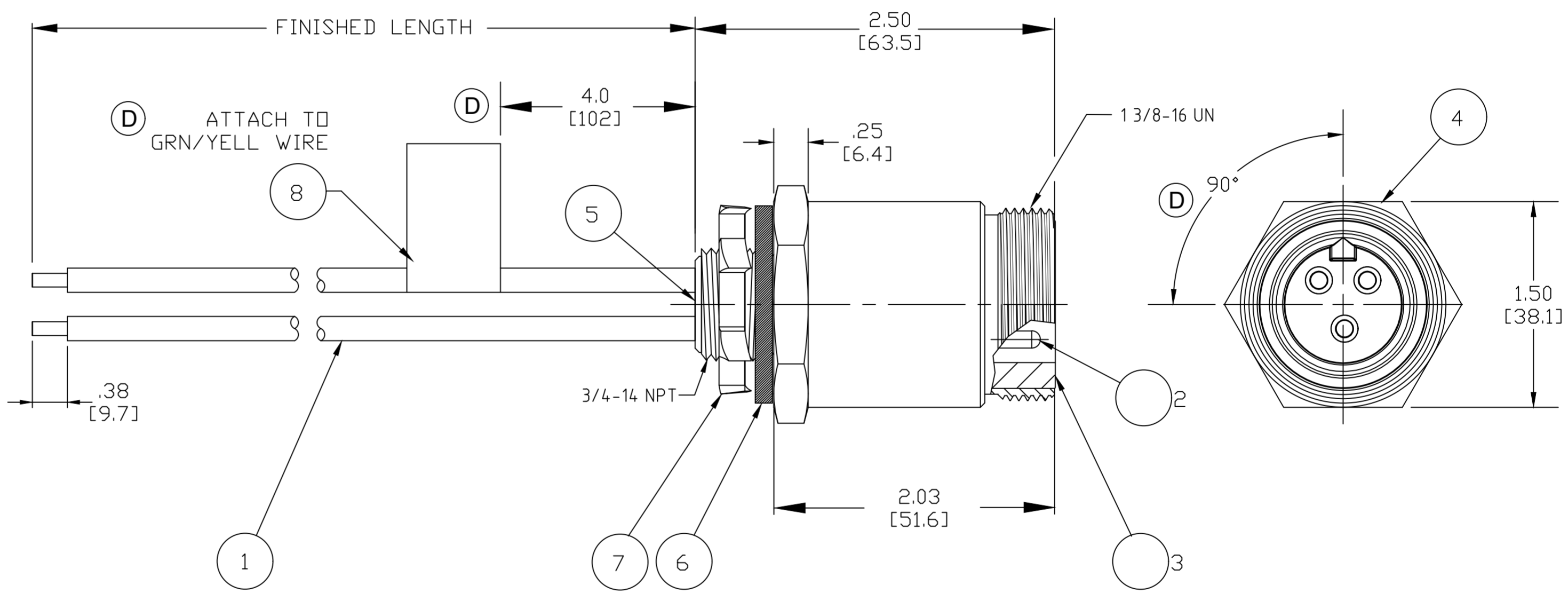
(D) CABLE LENGTH TOLERANCES

>.3M [1FT]: +19mm-0 [+ .75in-0]
.3 - .9M [1 - 3FT]: +44.5mm-0 [+1.75in-0]
.9 - 1.8M [3 - 6FT]: +55.6mm-0 [+2.19in-0]
1.8 - 3.7M [6 - 12FT]: +88.9mm-0 [+3.50in-0]
3.7 - 7.3M [12 - 24FT]: +165.1mm-0 [+6.50in-0]
7.3-14.6M [24 - 48FT]: +317.5mm-0 [+12.50in-0]
14.6 - 30.5M [48-100FT]: +622.3mm-0 [+24.50in-0]
OVER 30M [100FT] +2% OF FINISHED LENGTH

PART NUMBER	ENGINEERING NUMBER	LENGTH
1300660139	CR3C06A29M006	0.6M [2FT]
1300660198	CR4C06A29M003	0.3M [12.0IN]
1300660265	CR4C06A29M010	1.0M [3FT 3IN]



- (D) NOTES:**
1. MATERIAL: AS NOTED
 2. FINISH: AS NOTED
 3. ELECTRICAL:
 VOLTAGE PER IEC 60664: 3P 630V, 4P 500V
 600V PER UL 2237
 CURRENT: 3P & 4P 20A
 4. TEMP RATING: -20°C TO +90°C
 5. PROTECTION: IP67 (WHEN MATED)
 6. COUPLING THREAD: AS NOTED
 7. UL LISTED FILE: PENDING
 8. ALL DIMS ARE FOR REFERENCE UNLESS TOLERANCED OR NOTED OTHERWISE



ITEM	DESCRIPTION	MATERIAL	FINISH
8	FLAG LABEL	VINYL	YELLOW
7	LOCKNUT	STEEL	ZINC PLATE
6	GASKET	NEOPRENE	BLACK
5	POTTING MATERIAL	EPOXY	BLACK
4	RECEPTACLE SHELL	6061-T6 ALUMINUM	ANODIZED
3	MALE INSERT	TPE (D)	BLACK
2	CONTACT PIN	COPPER ALLOY	GOLD PLATED
1	WIRE, 12 AWG UL 1015	PVC JACKET	SEE FACE VIEW

THIS DRAWING CONTAINS INFORMATION THAT IS PROPRIETARY TO MOLEX ELECTRONIC TECHNOLOGIES, LLC AND SHOULD NOT BE USED WITHOUT WRITTEN PERMISSION			
SYMBOLS DIMENSION UNITS: INCH/MM SCALE: 1:1 GENERAL TOLERANCES (UNLESS SPECIFIED): 4 PLACES ±---- ±---- 3 PLACES ±---- ±---- 2 PLACES ±---- ±0.01 1 PLACE ±---- ±---- 0 PLACES ±---- ±---- ANGULAR TOL ± 0.5 ° DRAFT WHERE APPLICABLE MUST REMAIN WITHIN DIMENSIONS	CURRENT REV DESC: UPDATE BORDER, REMOVE GREEN WIRE OPT, PVC INSERT WAS TPE, ADD CABLE LENGTH TOLS. P/N LEGEND, UPDATED NOTES, LABEL DIM WAS 7.00 EC NO: 631946 DRWN: RSTONE 2020/02/06 CHK'D: MZIELINSKI 2020/04/03 APPR: BWOODMAN 2020/04/07 INITIAL REVISION: DRWN: MODELL 2008/09/10 APPR: RDEROSS 2008/09/15 THIRD ANGLE PROJECTION DRAWING: C-SIZE SERIES: 130066	<p>BRAD POWER RECEPTACLE MALE, SINGLE KEY, 3/4 NPT, 12AWG</p> <p>PRODUCT CUSTOMER DRAWING</p>	DOCUMENT NUMBER: SD-130066-017 DOC TYPE: PSD DOC PART: 001 REVISION: D MATERIAL NUMBER: GENERAL MARKET CUSTOMER: GENERAL MARKET SHEET NUMBER: 1 OF 1

Mouser Electronics

Authorized Distributor

Click to View Pricing, Inventory, Delivery & Lifecycle Information:

[Molex:](#)

[1300660198](#)