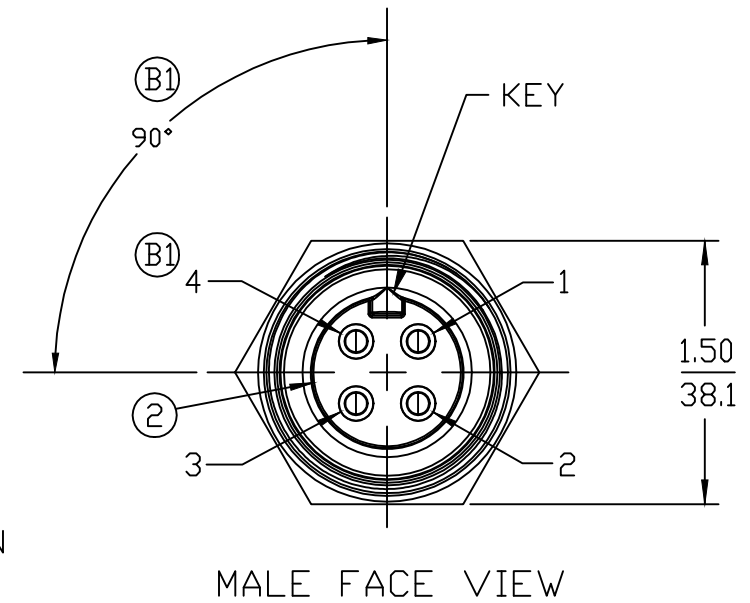
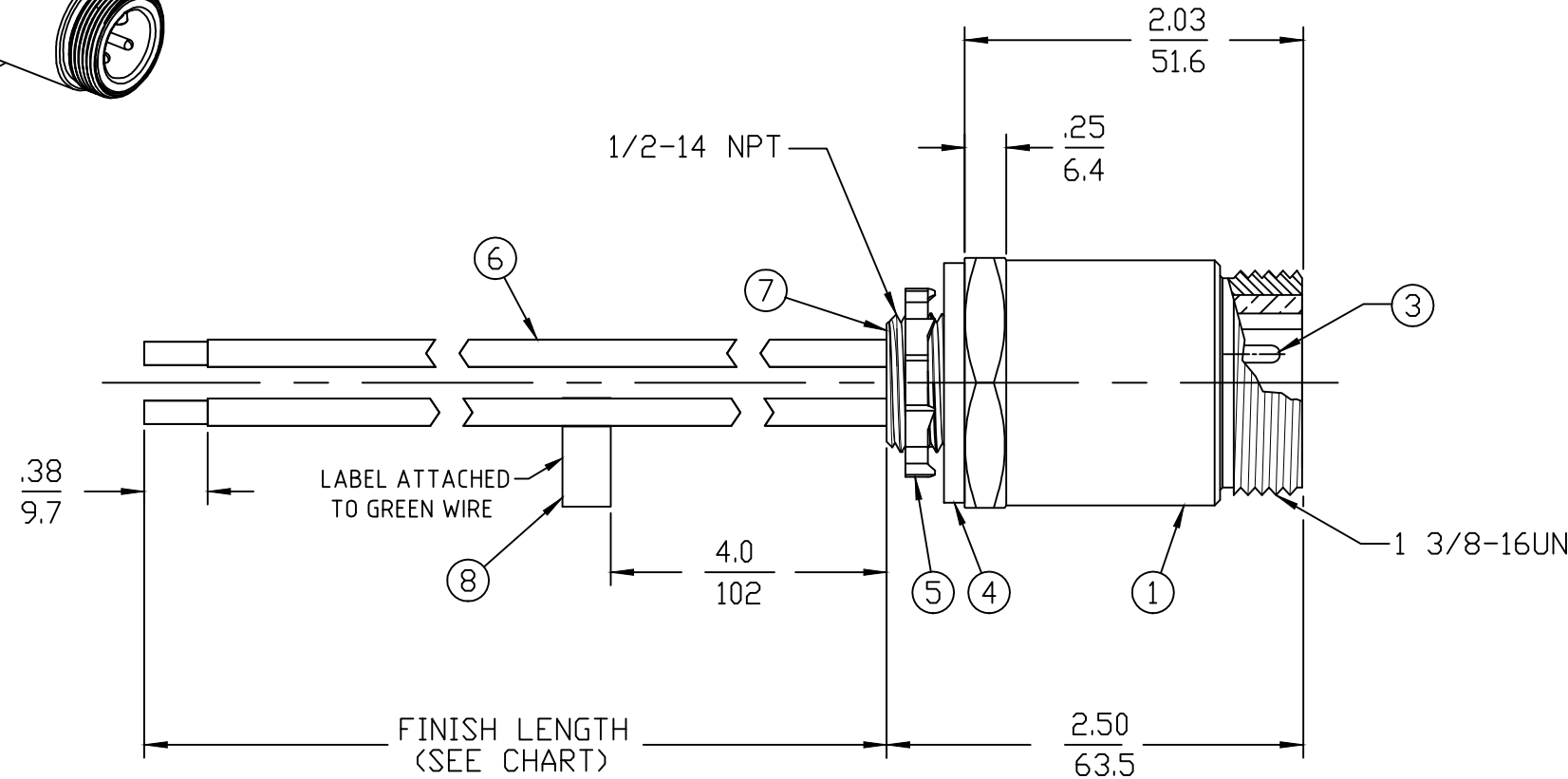
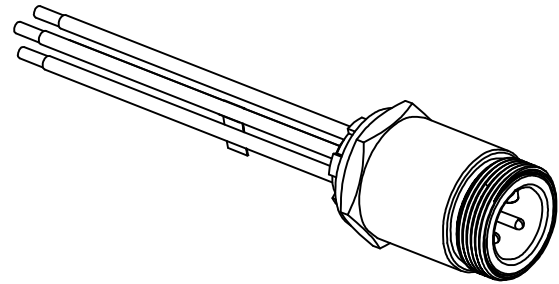


PART NUMBER	ENGINEERING NUMBER	FINISH LENGTH
1300660170	CR4006A30M005	1.64' [0.5M]
1300660171	CR4006A30M010	3.28' [1M]
1300660182	CR4006A30M120	39.37' [12M]

PART NUMBER LEGEND
CR4006A30M005
LENGTH
M005 = 0.5 METER
M010 = 1 METER
M100 = 10 METER

CABLE LENGTH TOLERANCES	
<.3M [1FT]:	+19mm-0 [+.75in-0]
.3 - .9M [1 - 3FT]:	+44.5mm-0 [+1.75in-0]
.9 - 1.8M [3 - 6FT]:	+55.6mm-0 [+2.19in-0]
1.8 - 3.7M [6 - 12FT]:	+88.9mm-0 [+3.50in-0]
3.7 - 7.3M [12 - 24FT]:	+165.1mm-0 [+6.50in-0]
7.3-14.6M [24 - 48FT]:	+317.5mm-0 [+12.50in-0]
14.6 - 30.5M [48-100FT]:	+622.3mm-0 [+24.50in-0]
OVER 30M [100FT]	+2% OF FINISHED LENGTH

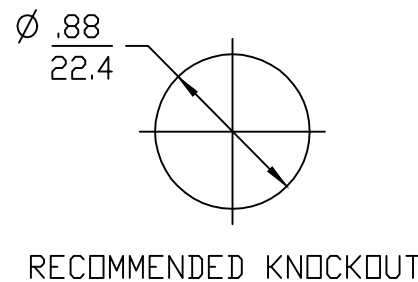


WIRING DIAGRAM

BLACK	1
GREEN-YELLOW	2
RED	3
WHITE	4

- NOTES:
1. MATERIAL: AS NOTED
 2. FINISH: AS NOTED
 3. ELECTRICAL:
VOLTAGE: 4P: 500V PER IEC60664
600V PER UL2237
CURRENT: 32A
 4. TEMP RATING: -20°TO +90°C
 5. PROTECTION: IP67 (WHEN MATED)
 6. UL LISTED FILE: E258922
 7. ALL DIMS ARE FOR REFERENCE UNLESS NOTED OR TOLERANCED OTHERWISE

ITEM	DESCRIPTION	MATERIAL	FINISH
8	FLAG LABEL	VINYL	YELLOW/BLACK
7	POTTING	EPOXY	BLACK
6	WIRE 10AWG (UL 1015)	PVC JACKET	SEE WIRING DIAGRAM
5	LOCKNUT	STEEL	ZINC PLATED
4	GASKET	NEOPRENE	BLACK
3	CONTACT PIN	COPPER ALLOY	GOLD PLATED
2	MALE INSERT, 4 POLE	TPE	BLACK
1	RECEPTACLE SHELL	ALUMINUM	CLEAR ANODIZED



FUNCTIONAL SYMBOLS		THIS DRAWING CONTAINS INFORMATION THAT IS PROPRIETARY TO MOLEX ELECTRONIC TECHNOLOGIES, LLC AND SHOULD NOT BE USED WITHOUT WRITTEN PERMISSION		CURRENT REV DESC: CORRECT PINOUT, INSERT WAS PVC, GREEN-YELLOW WAS GREEN, ADD 90 DEG KEY ANGLE	
$F_A=0$	DIMENSION UNITS	INCH/MM	SCALE	1:1	
$F_C=0$	GENERAL TOLERANCES (UNLESS SPECIFIED)				
$F_D=0$		mm	INCH		
	4 PLACES	±----	±----	EC NO: 646752	
	3 PLACES	±----	±----	DRWN: RSTONE 2020/10/07	
	2 PLACES	±----	±----	CHK'D: CCHRSTKA 2020/10/09	
	1 PLACE	±----	±----	APPR: BWOODMAN 2020/10/12	
	0 PLACES	±----	±----	INITIAL REVISION:	
	ANGULAR TOL ± ---- °			DRWN: CLYORK 2010/01/18	
	DRAFT WHERE APPLICABLE MUST REMAIN WITHIN DIMENSIONS	THIRD ANGLE PROJECTION		APPR: DTITUS 2010/01/20	
		DRAWING	SERIES	MATERIAL NUMBER	CUSTOMER
		B-SIZE	130066	SEE P/N LEGEND	GENERAL MARKET
				SHEET NUMBER	1 OF 1

molex

BRAD POWER RECEPTACLE
QC, MALE, 4 POLE, SINGLE KEY, 10AWG

PRODUCT CUSTOMER DRAWING

DOCUMENT NUMBER: SD-130066-054
DOC TYPE: PSD
DOC PART: 001
REVISION: B1

Mouser Electronics

Authorized Distributor

Click to View Pricing, Inventory, Delivery & Lifecycle Information:

[Molex:](#)

[1300660176](#)