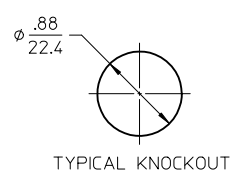
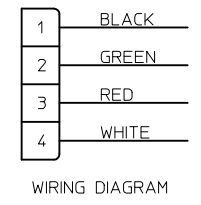
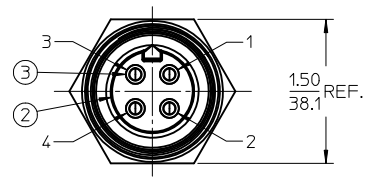
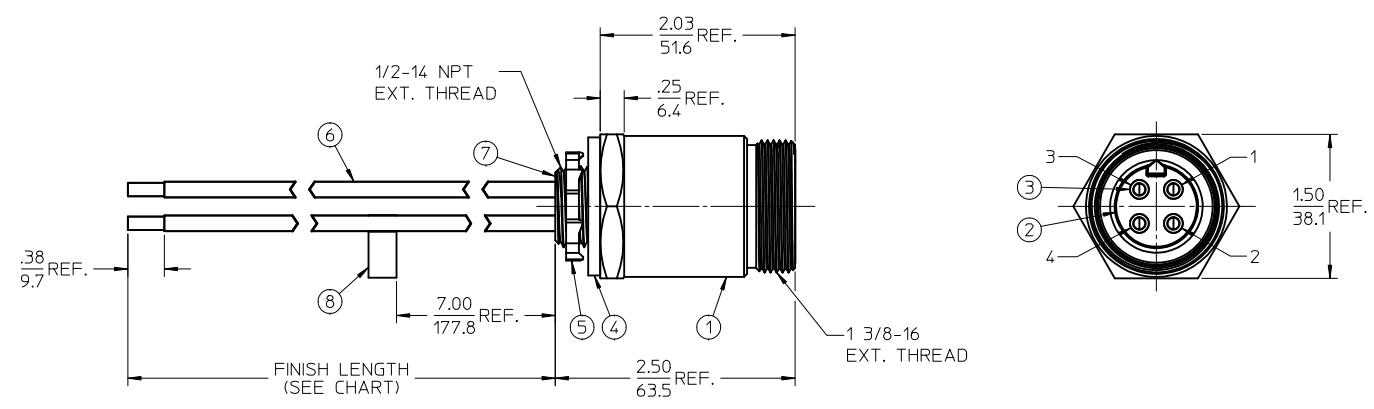
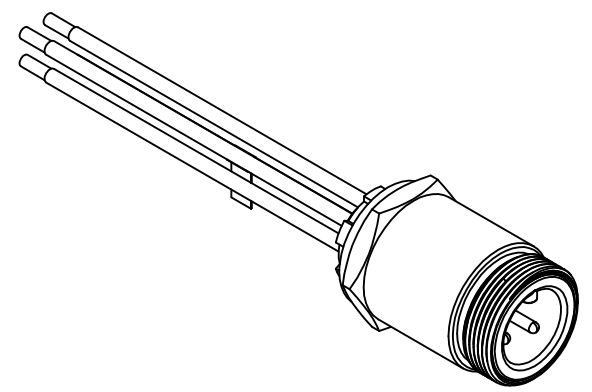


MATERIAL NUMBER	OLD PART NUMBER	FINISH LENGTH
1300660170	CR4006A30M005	1.64' +1.75'/-0 [0.5M +44.5/-0]



- NOTES:
1. MATERIAL: SEE TABLE
 2. FINISHES: SEE TABLE
 3. PACKAGING: PART IS PACKED IN POLY BAG.
 4. FLAG LABEL LOCATED ON GREEN WIRE.
 5. MATES WITH: QC 4 POLE FEMALE CABLE ASSEMBLY.
 6. ELECTRICAL SPECIFICATIONS:
VOLTAGE RATING: 600V AC/DC
CURRENT RATING: 25 AMPS

8	1	FLAG LABEL	VINYL	YELLOW
7	A/R	POTTING	EPOXY	BLACK
6	4	#10-1 WIRE THHN	PVC JACKET	SEE WIRING DIAGRAM
5	1	LOCKNUT	STEEL	ZINC PLATED
4	1	GASKET	NEOPRENE	BLACK
3	4	PIN CONTACT	COPPER ALLOY	GOLD PLATED
2	1	MALE INSERT, 4 POLE	PVC	BLACK
1	1	RECEPTACLE SHELL	ALUMINUM	CLEAR ANODIZED
ITEM	QTY.	DESCRIPTION	MATERIAL	FINISH

INITIAL RELEASE	EC NO: MNA2010-0433	DRWN:CLYORK 2010/01/18	CHKD:WOODMAN 2010/01/18	APPR:DTITUS 2010/01/20
DESCRIPTION	QUALITY SYMBOLS	$\nabla=0$ $\nabla=0$		

GENERAL TOLERANCES (UNLESS SPECIFIED)	DIMENSION STYLE	SCALE	DESIGN UNITS	THIRD ANGLE PROJECTION
	IN/MM	1:1	INCH	
4 PLACES ± ---	mm	DRAWN BY DATE		
3 PLACES ± ---	INCH	CLYORK 2010/01/18		
2 PLACES ± ---		CHECKED BY DATE		
1 PLACE ± 0.3		WOODMAN 2010/01/18		
ANGULAR ± 1/2°		APPROVED BY DATE		
		DTITUS 2010/01/20		
DRAFT WHERE APPLICABLE MUST REMAIN WITHIN DIMENSIONS	SEE CHART	MATERIAL NO. DOCUMENT NO.		
	SIZE	SD-130066-054		

TITLE		BRAD POWER MALE, 1/2" NPT, 4 POLE, AC RECEPTACLE ASSEMBLY	
APPROVED BY		MOLEX INCORPORATED	
DATE		SD-130066-054	
MATERIAL NO.		SHEET NO.	
DOCUMENT NO.		1 OF 1	
THIS DRAWING CONTAINS INFORMATION THAT IS PROPRIETARY TO MOLEX INCORPORATED AND SHOULD NOT BE USED WITHOUT WRITTEN PERMISSION			

Mouser Electronics

Authorized Distributor

Click to View Pricing, Inventory, Delivery & Lifecycle Information:

[Molex:](#)

[1300660167](#)