

(C) CABLE LENGTH TOLERANCES

>.3M [1FT]: +19mm-0 [+.75in-0]

.3 - .9M [1 - 3FT]: +44.5mm-0 [+1.75in-0]

.9 - 1.8M [3 - 6FT]: +55.6mm-0 [+2.19in-0]

1.8 - 3.7M [6 - 12FT]: +88.9mm-0 [+3.50in-0]

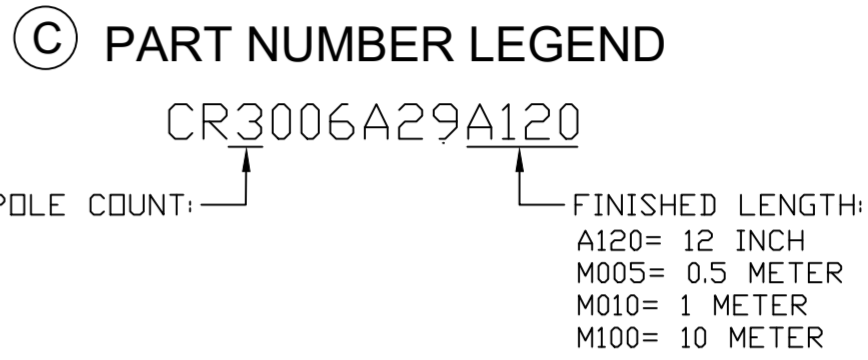
3.7 - 7.3M [12 - 24FT]: +165.1mm-0 [+6.50in-0]

7.3-14.6M [24 - 48FT]: +317.5mm-0 [+12.50in-0]

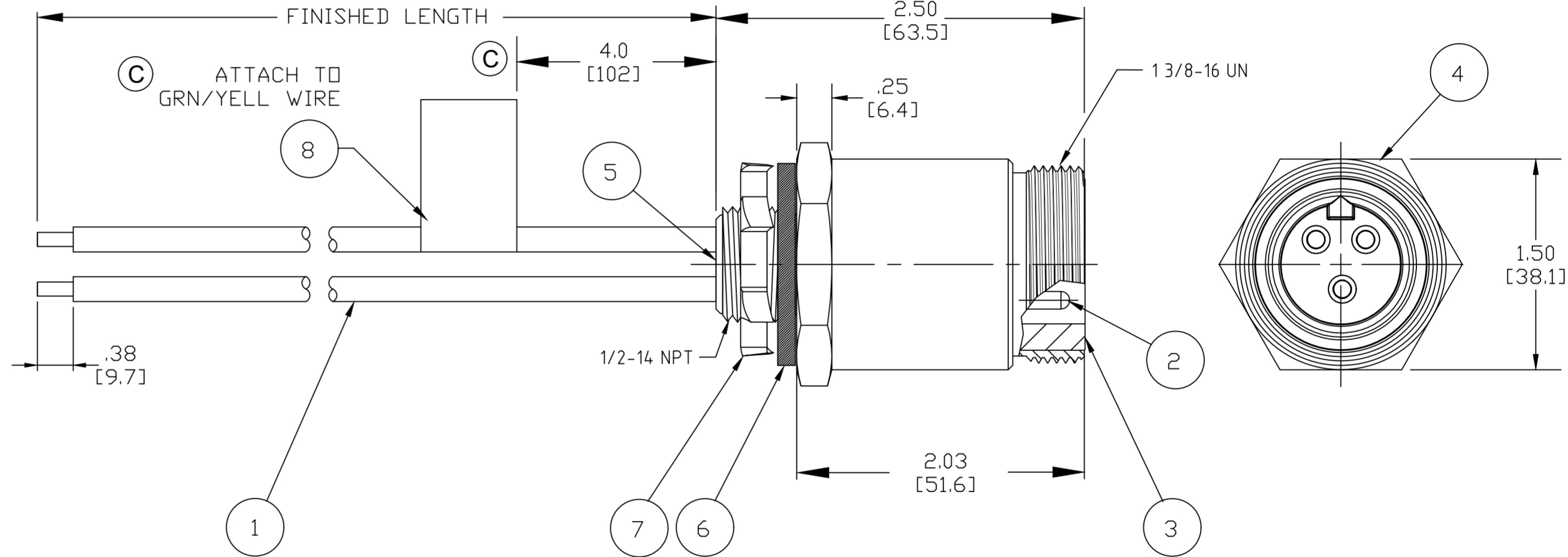
14.6 - 30.5M [48-100FT]: +622.3mm-0 [+24.50in-0]

OVER 30M [100FT] +2% OF FINISHED LENGTH

PART NUMBER	ENGINEERING NUMBER	LENGTH
1300660166	CR4006A29M003	0.3M [12.0IN]
1300662007	CR3006A29M020	6FT 7IN [2M]
1300662009	CR3006A29A120	12.0IN [0.3M]



- (C) NOTES:**
1. MATERIAL: AS NOTED
 2. FINISH: AS NOTED
 3. ELECTRICAL:
VOLTAGE PER IEC 60664: 3P 630V, 4P 500V
600V PER UL 2237
CURRENT: 3P & 4P 20A
 4. TEMP RATING: -20°C TO +90°C
 5. PROTECTION: IP67 (WHEN MATED)
 6. COUPLING THREAD: AS NOTED
 7. UL LISTED FILE: PENDING
 8. ALL DIMS ARE FOR REFERENCE UNLESS TOLERANCED OR NOTED OTHERWISE



ITEM	DESCRIPTION	MATERIAL	FINISH
8	FLAG LABEL	VINYL	YELLOW
7	LOCKNUT	STEEL	ZINC PLATE
6	GASKET	NEOPRENE	BLACK
5	POTTING MATERIAL	EPOXY	BLACK
4	RECEPTACLE SHELL	6061-T6 ALUMINUM	ANODIZED
3	MALE INSERT	TPE (C)	BLACK
2	CONTACT PIN	COPPER ALLOY	GOLD PLATED
1	WIRE, 12 AWG UL 1015	PVC JACKET	SEE FACE VIEW
ITEM	DESCRIPTION	MATERIAL	FINISH

SYMBOLS				THIS DRAWING CONTAINS INFORMATION THAT IS PROPRIETARY TO MOLEX ELECTRONIC TECHNOLOGIES, LLC AND SHOULD NOT BE USED WITHOUT WRITTEN PERMISSION			
▽ = 0	▽ = 0	▽ = 0	▽ = 0	▽ = 0	▽ = 0	▽ = 0	▽ = 0
DIMENSION UNITS		SCALE		CURRENT REV DESC: UPDATE BORDER, REMOVE GREEN WIRE OPT, PVC INSERT WAS TPE, ADD CABLE LENGTH TOLS. P/N LEGEND, UPDATED NOTES, LABEL DIM WAS 7.00			
INCH/MM		1:1		EC NO: 631946 DRWN: RSTONE 2020/02/06 CHK'D: MZIELINSKI 2020/04/03 APPR: BWOODMAN 2020/04/07			
GENERAL TOLERANCES (UNLESS SPECIFIED)							
4 PLACES	±----	mm	INCH	INITIAL REVISION: DRWN: MODELL 2008/09/10 APPR: RDEROSS 2008/09/15			
3 PLACES	±----	mm	INCH				
2 PLACES	±----	mm	INCH	DOCUMENT NUMBER: SD-130066-015 DOC TYPE: PSD DOC PART: 001 REVISION: C			
1 PLACE	±----	mm	INCH				
0 PLACES	±----	ANGULAR TOL ± 0.5 °		MATERIAL NUMBER: GENERAL MARKET CUSTOMER: GENERAL MARKET SHEET NUMBER: 1 OF 1			
□ = 0	□ = 0	DRAFT WHERE APPLICABLE MUST REMAIN WITHIN DIMENSIONS					
THIRD ANGLE PROJECTION		DRAWING		SERIES: 130066			
C-SIZE							

Mouser Electronics

Authorized Distributor

Click to View Pricing, Inventory, Delivery & Lifecycle Information:

[Molex:](#)

[1300660166](#)