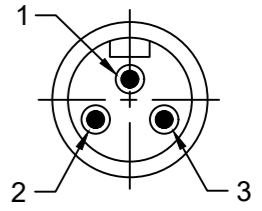
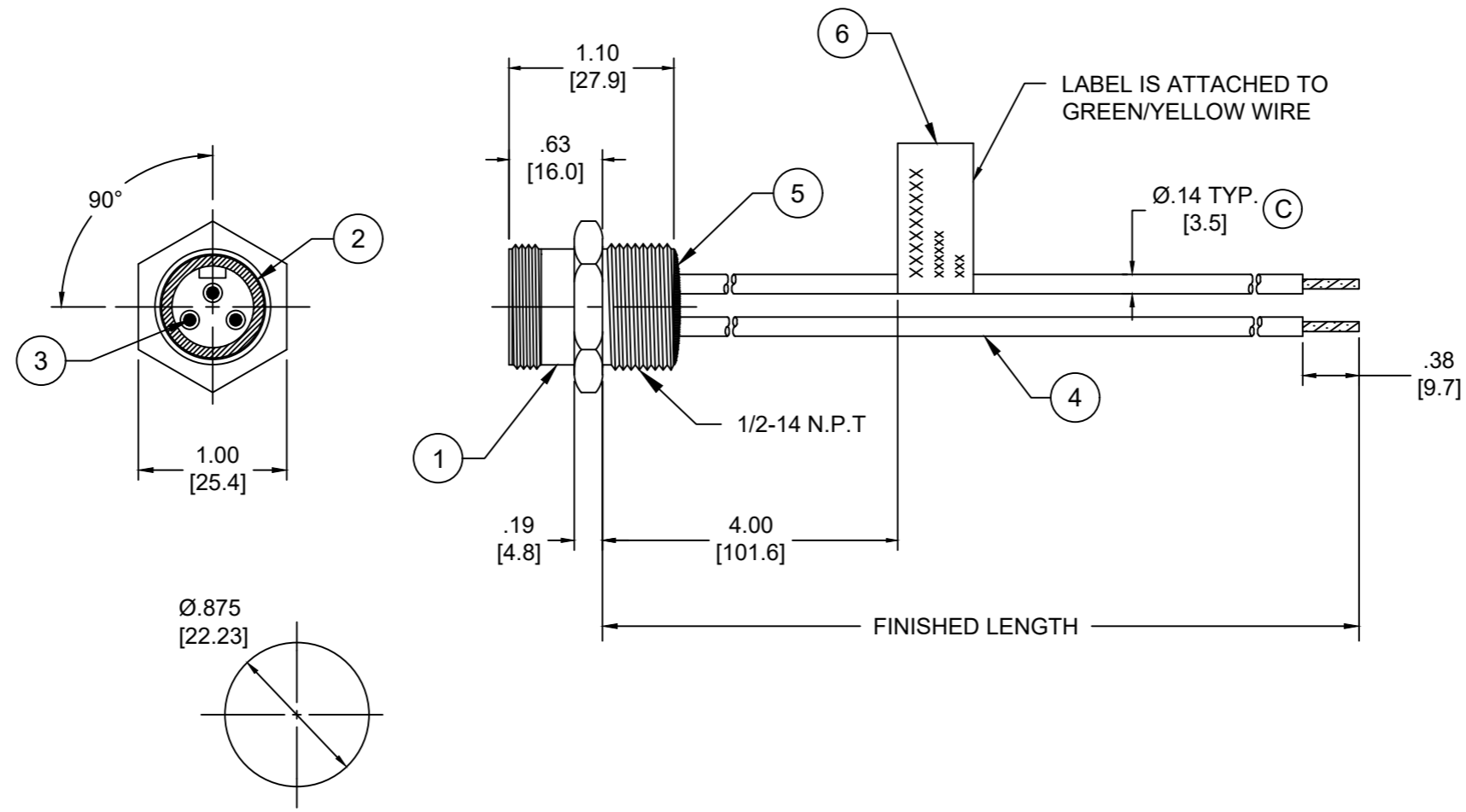


| PART NO | ENGINEERING NO. | FINISHED LENGTH |
|------------|-----------------|-------------------|
| 1300660047 | 1R3006A28A060G | 6IN [0.5 FT] |
| 1300660057 | 1R3006A28M050G | 5M [16 FT 5 IN] |
| 1300662013 | 1R3006A28M100G | 10M [32 FT 10 IN] |

FACE VIEW - MALE INSERT



1-GREEN/YELLOW
2-BLACK
3-WHITE



- NOTES:
- MATERIAL: AS NOTED
 - FINISH: AS NOTED
 - ELECTRICAL:
VOLTAGE: 500V PER IEC60664
600V PER UL2237
CURRENT: 15A
 - TEMP RATING: -20°TO +105°C (C)
 - PROTECTION: IP67 (WHEN MATED)
 - COUPLING THREAD: 7/8-16UN
 - UL LISTED FILE: E258922 (C)
 - ALL DIMENSIONS ARE FOR REFERENCE
UNLESS TOLERANCED OR NOTED OTHERWISE

REF. KNOCKOUT HOLE

PART NO. MATRIX
1R3006A28M050G

FINISHED LENGTH:
M005= 0.5 METER
M010= 1 METER
M100= 10 METER

CABLE LENGTH TOLERANCES

| | |
|--------------------------|-------------------------|
| <.3M [1FT]: | +19mm-0 [+.75in-0] |
| .3 - .9M [1 - 3FT]: | +44.5mm-0 [+1.75in-0] |
| .9 - 1.8M [3 - 6FT]: | +55.6mm-0 [+2.19in-0] |
| 1.8 - 3.7M [6 - 12FT]: | +88.9mm-0 [+3.50in-0] |
| 3.7 - 7.3M [12 - 24FT]: | +165.1mm-0 [+6.50in-0] |
| 7.3-14.6M [24 - 48FT]: | +317.5mm-0 [+12.50in-0] |
| 14.6 - 30.5M [48-100FT]: | +622.3mm-0 [+24.50in-0] |
| OVER 30M [100FT] | +2% OF FINISHED LENGTH |

| ITEM | DESCRIPTION | MATERIAL | FINISH |
|------|-----------------------|----------------|---------------|
| 6 | FLAG LABEL | VINYL | BLACK/YELLOW |
| 5 | POTTING MATERIAL | EPOXY | |
| 4 | WIRE, 14 AWG (UL1015) | PVC INSULATION | SEE FACE VIEW |
| 3 | CONTACT PIN | COPPER ALLOY | GOLD PLATED |
| 2 | MALE INSERT | TPE | BLACK |
| 1 | RECEPTACLE SHELL | ZINC DIE-CAST | BLACK |

| FUNCTIONAL SYMBOLS | THIS DRAWING CONTAINS INFORMATION THAT IS PROPRIETARY TO MOLEX ELECTRONIC TECHNOLOGIES, LLC AND SHOULD NOT BE USED WITHOUT WRITTEN PERMISSION | |
|--------------------|-----------------------------------------------------------------------------------------------------------------------------------------------|----------------|
| $F_A=0$ | DIMENSION UNITS | SCALE |
| $F_C=0$ | INCH/MM | NTS |
| $F_P=0$ | CURRENT REV DESC: ITEM #2 WAS PVC. ADDED UL & CABLE DIA. MODIFIED TEMP RATING AND MATERIAL NUMBER CHART | |
| DIVISIONAL SYMBOLS | GENERAL TOLERANCES (UNLESS SPECIFIED) | |
| | mm | INCH |
| | 4 PLACES | ±--- ±--- |
| | 3 PLACES | ±--- ±--- |
| | 2 PLACES | ±--- ±--- |
| | 1 PLACE | ±--- ±--- |
| | 0 PLACES | ±--- ±--- |
| | ANGULAR TOL ± --- ° | |
| | DRAFT WHERE APPLICABLE MUST REMAIN WITHIN DIMENSIONS | |
| | THIRD ANGLE PROJECTION | |
| | DRAWING | SERIES |
| | B-SIZE | 130066 |
| | MATERIAL NUMBER | CUSTOMER |
| | SEE CHART | GENERAL MARKET |
| | SHEET NUMBER | 1 OF 1 |

EC NO: 663067
DRWN: ABENJAMINLW 2021/02/08
CHK'D: RSTONE 2021/05/06
APPR: BWOODMAN 2021/05/13

INITIAL REVISION:
DRWN: RSTONE 2017/01/11
APPR: BWOODMAN 2017/01/26

DOCUMENT NUMBER: SD-130066-079
DOC TYPE: PSD
DOC PART: 001
REVISION: C

MOLEX
MINI-CHANGE RECEPTACLE A-SIZE
3 POLE, MALE, STRAIGHT, SINGLE KEY,
14 AWG
PRODUCT CUSTOMER DRAWING

Mouser Electronics

Authorized Distributor

Click to View Pricing, Inventory, Delivery & Lifecycle Information:

[Molex:](#)

[1300660054](#)