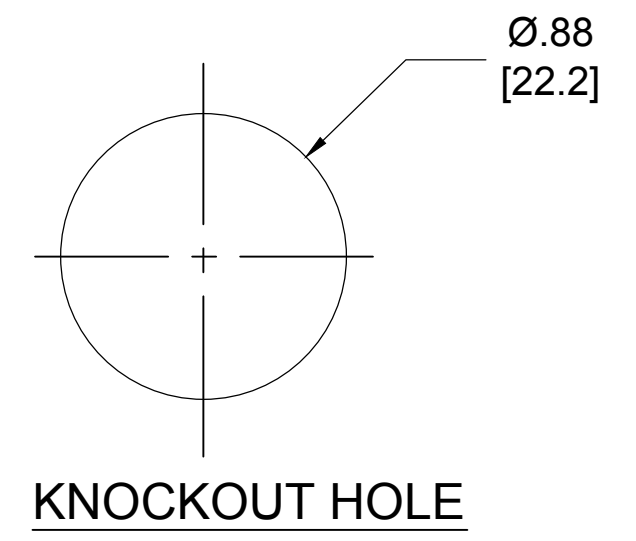


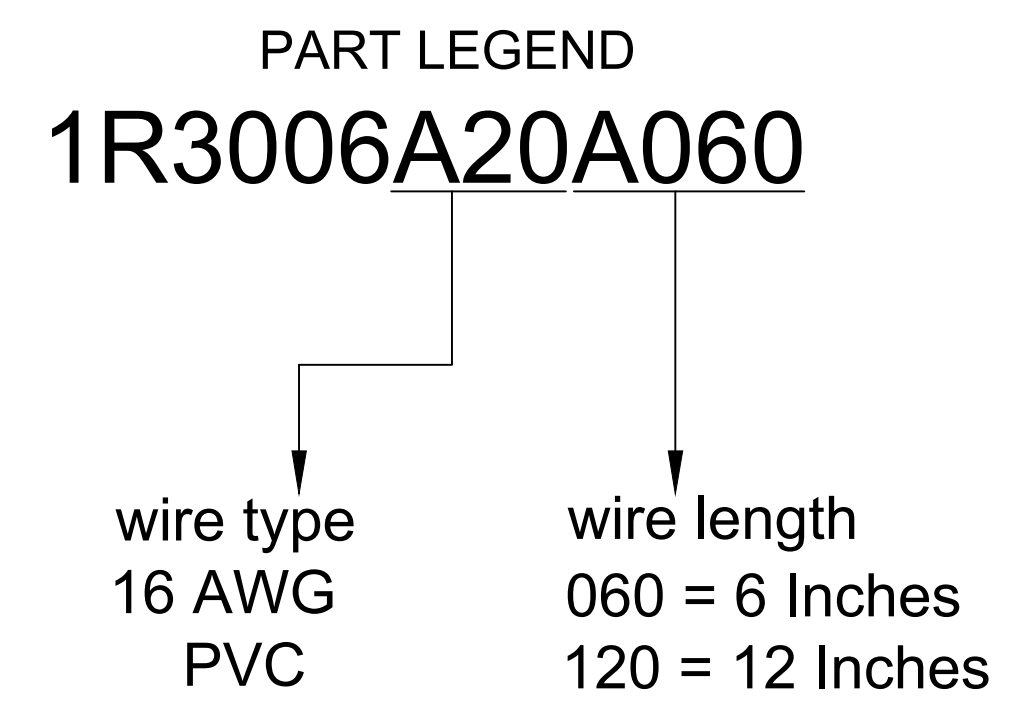
MALE FACE VIEW

| | |
|---|--------------|
| 1 | GREEN-YELLOW |
| 2 | BLACK |
| 3 | WHITE |

WIRING DIAGRAM



KNOCKOUT HOLE



- NOTES:**
1. MATERIAL: AS NOTED
 2. FINISH: AS NOTED
 3. ELECTRICAL:
VOLTAGE; 600V AC/DC
CURRENT: 13
 4. TEMP RATING: -20° TO +105°C
 5. PROTECTION: IP67 (WHEN MATED)
 6. ALL DIMS ARE FOR REFERENCE
UNLESS NOTED OTHERWISE

TABLE

| ITEM | COMPONENT | MATERIAL | FINISH |
|------|-----------------------|---------------|---------------|
| 6 | LABEL | VINYL | BLACK/YELLOW |
| 5 | POTTING | EPOXY | |
| 4 | WIRE, 16 AWG, UL 1015 | PVC INSUL. | SEE FACE VIEW |
| 3 | CONTACT PIN | Cu ALLOY | GOLD PLATED |
| 2 | INSERT | PVC | YELLOW |
| 1 | RECEPTACLE SHELL | ZINC DIE-CAST | BLACK E-COAT |

| .38 WAS .3, UPDATED DOC EC NO: IPG2017-0513 DRWN: RSTONE 11/18/16 CH'KD: M ZIELIN 2016/12/07 APPR: BWOODMAN | QUALITY SYMBOL ▽=0 ▽=0 | GENERAL TOLERANCES (UNLESS SPECIFIED) | DIMENSION STYLE IN/MM | SCALE NTS | DESIGN UNITS INCH | THIRD ANGLE PROJECTION | | | | | | | | | | | | | | | | |
|---|------------------------------|---|---|--------------------------|--------------------------------------|----------------------------|----------|------|------|----------|------|------|----------|-------|-------|---------|------|------|--------------------------------------|---|--|--|
| | | | <table border="1" style="width: 100%; border-collapse: collapse;"> <tr> <th></th> <th>mm</th> <th>INCH</th> </tr> <tr> <td>4 PLACES</td> <td>±---</td> <td>±---</td> </tr> <tr> <td>3 PLACES</td> <td>±---</td> <td>±---</td> </tr> <tr> <td>2 PLACES</td> <td>±0.13</td> <td>±0.01</td> </tr> <tr> <td>1 PLACE</td> <td>±0.3</td> <td>±---</td> </tr> </table> | | mm | INCH | 4 PLACES | ±--- | ±--- | 3 PLACES | ±--- | ±--- | 2 PLACES | ±0.13 | ±0.01 | 1 PLACE | ±0.3 | ±--- | DRAWN BY DATE GGUSTAFS 2013/12/03 | TITLE MINI-CHANGE RECEPTACLE 3 POLE MALE 1/2 NPT 16/1 AWG PVC | | |
| | | mm | INCH | | | | | | | | | | | | | | | | | | | |
| | 4 PLACES | ±--- | ±--- | | | | | | | | | | | | | | | | | | | |
| 3 PLACES | ±--- | ±--- | | | | | | | | | | | | | | | | | | | | |
| 2 PLACES | ±0.13 | ±0.01 | | | | | | | | | | | | | | | | | | | | |
| 1 PLACE | ±0.3 | ±--- | | | | | | | | | | | | | | | | | | | | |
| | | CHECKED BY DATE LH 2009/04/01 | | | | | | | | | | | | | | | | | | | | |
| | | ANGULAR ±---° | | APPROVED BY DATE ---- | MOLEX INCORPORATED | | | | | | | | | | | | | | | | | |
| | | DRAFT WHERE APPLICABLE MUST REMAIN WITHIN DIMENSIONS | | MATERIAL NO. --- | DOCUMENT NO. SD-130013-003 | SHEET NO. 1 OF 1 | | | | | | | | | | | | | | | | |

THIS DRAWING CONTAINS INFORMATION THAT IS PROPRIETARY TO MOLEX INCORPORATED AND SHOULD NOT BE USED WITHOUT WRITTEN PERMISSION

Mouser Electronics

Authorized Distributor

Click to View Pricing, Inventory, Delivery & Lifecycle Information:

[Molex:](#)

[1300660045](#)