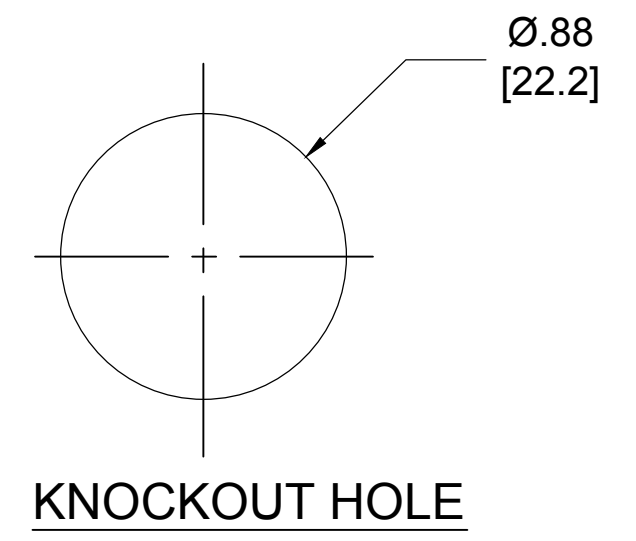


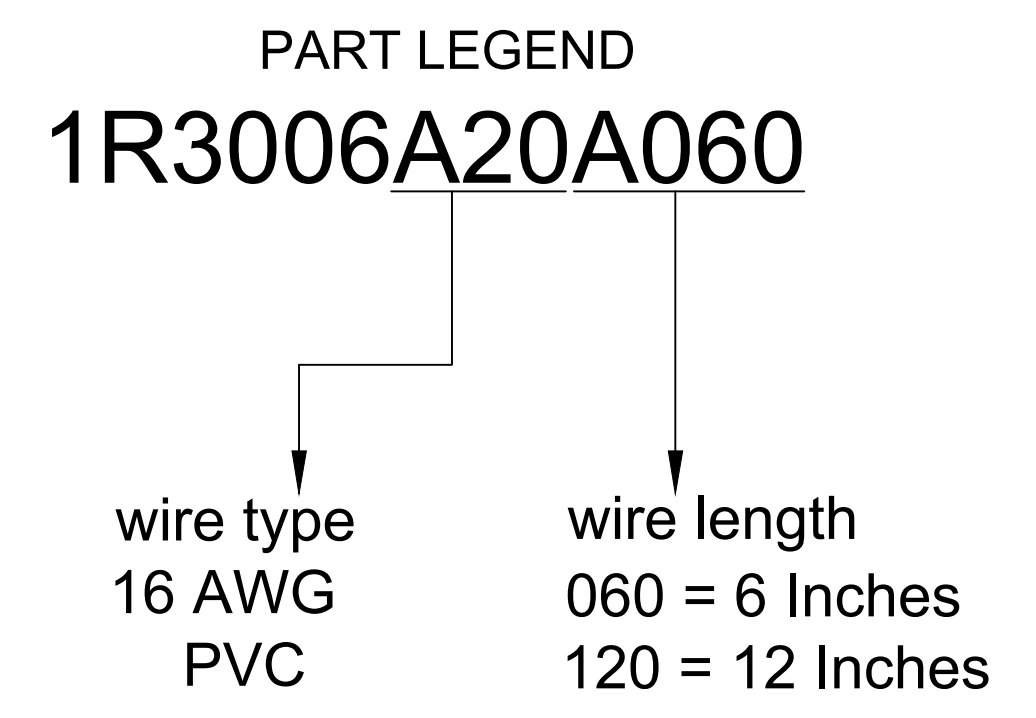
MALE FACE VIEW

1	GREEN-YELLOW
2	BLACK
3	WHITE

WIRING DIAGRAM



KNOCKOUT HOLE



- NOTES:**
- MATERIAL: AS NOTED
  - FINISH: AS NOTED
  - ELECTRICAL:  
VOLTAGE; 600V AC/DC  
CURRENT: 13
  - TEMP RATING: -20° TO +105°C
  - PROTECTION: IP67 (WHEN MATED)
  - ALL DIMS ARE FOR REFERENCE UNLESS NOTED OTHERWISE

**TABLE**

ITEM	COMPONENT	MATERIAL	FINISH
6	LABEL	VINYL	BLACK/YELLOW
5	POTTING	EPOXY	
4	WIRE, 16 AWG, UL 1015	PVC INSUL.	SEE FACE VIEW
3	CONTACT PIN	Cu ALLOY	GOLD PLATED
2	INSERT	PVC	YELLOW
1	RECEPTACLE SHELL	ZINC DIE-CAST	BLACK E-COAT

.38 WAS .3, UPDATED DOC EC NO: IPG2017-0513 DRWN: RSTONE 11/18/16 CHKD: M ZIELIN 2016/12/07 APPR: BWOODMAN	QUALITY SYMBOL	GENERAL TOLERANCES (UNLESS SPECIFIED)	DIMENSION STYLE IN/MM	SCALE NTS	DESIGN UNITS INCH	THIRD ANGLE PROJECTION
	▽=0 C=0	4 PLACES ±--- ±--- 3 PLACES ±--- ±--- 2 PLACES ±0.13 ±.01 1 PLACE ±0.3 ±---	DRAWN BY DATE GGUSTAFS 2013/12/03 CHECKED BY DATE LH 2009/04/01 APPROVED BY DATE ----	TITLE	MINI-CHANGE RECEPTACLE 3 POLE MALE 1/2 NPT 16/1 AWG PVC	
	ANGULAR ±---°	DRAFT WHERE APPLICABLE MUST REMAIN WITHIN DIMENSIONS	MATERIAL NO. ---	MOLEX MOLEX INCORPORATED	DOCUMENT NO. SD-130013-003	SHEET NO. 1 OF 1
	SIZE C		THIS DRAWING CONTAINS INFORMATION THAT IS PROPRIETARY TO MOLEX INCORPORATED AND SHOULD NOT BE USED WITHOUT WRITTEN PERMISSION			

# Mouser Electronics

Authorized Distributor

Click to View Pricing, Inventory, Delivery & Lifecycle Information:

[Molex:](#)

[1300660043](#)