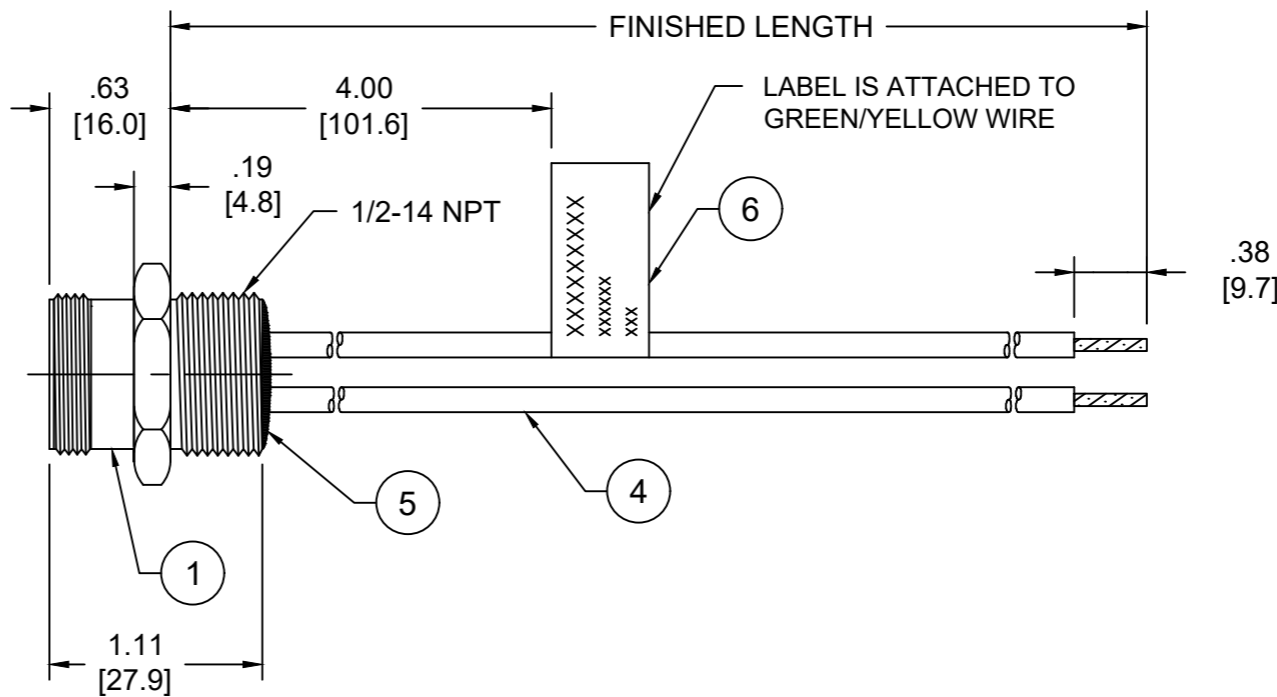
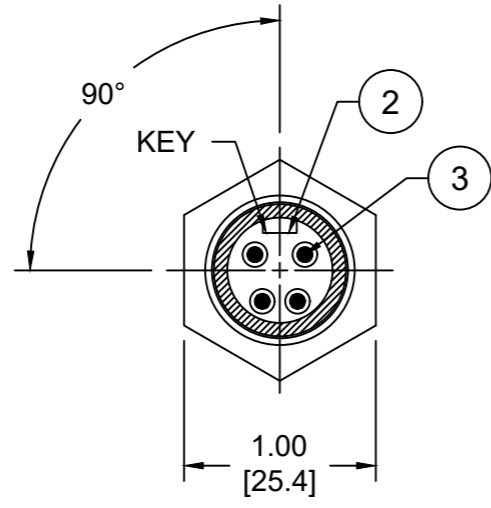
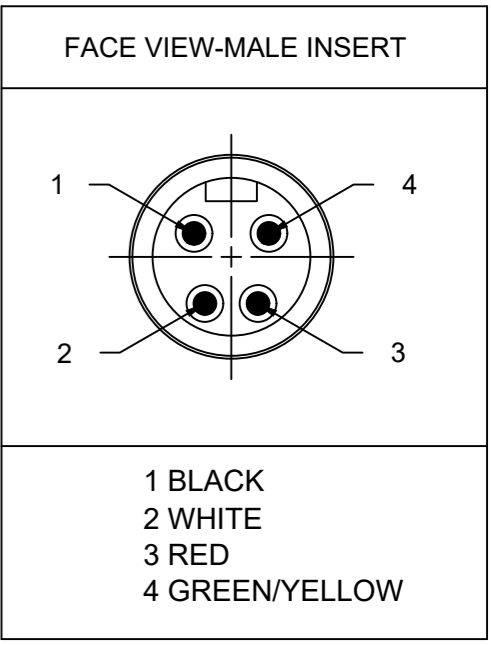
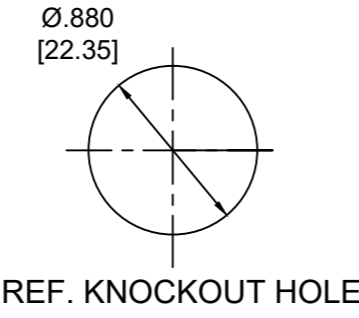


PART NO	ENGINEERING NO.	FINISHED LENGTH
1300130372	1R4006A28A060G	6IN [0.5 FT]
1300660088	1R4006A28F060G	6FT [1M 32 IN]
1300660095	1R4006A28M050G	5M [16 FT 5 IN]



- NOTES:
- MATERIAL: AS NOTED
  - FINISH: AS NOTED
  - ELECTRICAL:  
VOLTAGE: 483V PER IEC60664  
600V PER UL2237  
CURRENT: 15A
  - TEMP RATING: -20°TO +105°C (C)
  - PROTECTION: IP67 (WHEN MATED)
  - COUPLING THREAD: 7/8-16UN
  - UL LISTED FILE: E258922
  - ALL DIMENSIONS ARE FOR REFERENCE UNLESS TOLERANCED OR NOTED OTHERWISE



PART NO. MATRIX  
1R4006A28A060G

FINISHED LENGTH:  
A060= 6 IN.  
F020= 2 FEET  
M005= 1 METER  
M100= 10 METER

CABLE LENGTH TOLERANCES

<.3M [1FT]:	+19mm-0 [+1.75in-0]
.3 - .9M [1 - 3FT]:	+44.5mm-0 [+1.75in-0]
.9 - 1.8M [3 - 6FT]:	+55.6mm-0 [+2.19in-0]
1.8 - 3.7M [6 - 12FT]:	+88.9mm-0 [+3.50in-0]
3.7 - 7.3M [12 - 24FT]:	+165.1mm-0 [+6.50in-0]
7.3-14.6M [24 - 48FT]:	+317.5mm-0 [+12.50in-0]
14.6 - 30.5M [48-100FT]:	+622.3mm-0 [+24.50in-0]
OVER 30M [100FT]:	+2% OF FINISHED LENGTH

ITEM	DESCRIPTION	MATERIAL	FINISH
6	FLAG LABEL	VINYL	BLACK/YELLOW
5	POTTING MATERIAL	EPOXY	
4	WIRE, 14 AWG (UL1015)	PVC INSULATION	SEE FACE VIEW
3	CONTACT PIN	COPPER ALLOY	GOLD OVER NICKEL
2	MALE INSERT	TPE	BLACK
1	RECEPTACLE SHELL	ZINC DIE-CAST	BLACK

FUNCTIONAL SYMBOLS F=0 E=0 P=0	THIS DRAWING CONTAINS INFORMATION THAT IS PROPRIETARY TO MOLEX ELECTRONIC TECHNOLOGIES, LLC AND SHOULD NOT BE USED WITHOUT WRITTEN PERMISSION		CURRENT REV DESC: ITEM #2 WAS PVC. MODIFIED TEMP RATING & PN CHART	
	DIMENSION UNITS	SCALE	EC NO: 669893 DRWN: ABENJAMINLW 2021/04/20 CHK'D: RSTONE 2021/07/12 APPR: BWOODMAN 2021/07/14	
	INCH/MM	NTS		
	GENERAL TOLERANCES (UNLESS SPECIFIED)		INITIAL REVISION:	
4 PLACES	±----	±----	DRWN: RSTONE 2017/01/11	DOCUMENT NUMBER
3 PLACES	±----	±----	APPR: BWOODMAN 2017/01/26	DOC TYPE/DOC PART/REVISION
2 PLACES	±----	±----	ANGULAR TOL ± ---- °	SD-130066-080 PSD 001 C
1 PLACE	±----	±----	DRAFT WHERE APPLICABLE MUST REMAIN WITHIN DIMENSIONS	MATERIAL NUMBER
0 PLACES	±----	±----	THIRD ANGLE PROJECTION	CUSTOMER
		DRAWING		SHEET NUMBER
		B-SIZE		1 OF 1
		SERIES		
		130066		

# Mouser Electronics

Authorized Distributor

Click to View Pricing, Inventory, Delivery & Lifecycle Information:

[Molex:](#)

[1300660009](#)