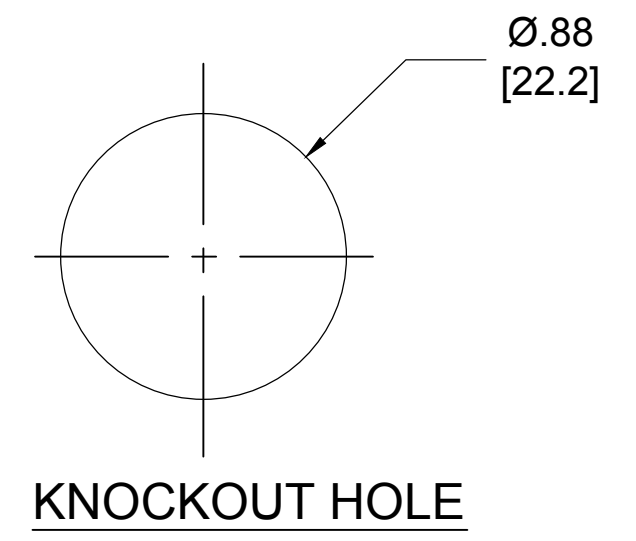


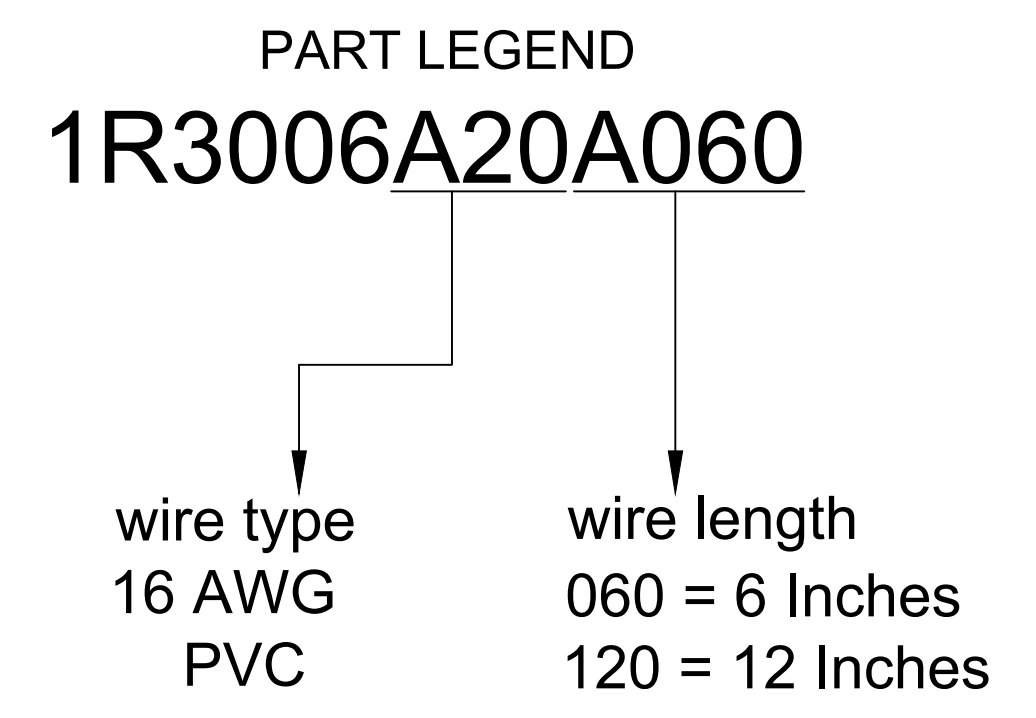
MALE FACE VIEW

1	GREEN-YELLOW
2	BLACK
3	WHITE

WIRING DIAGRAM



KNOCKOUT HOLE



- NOTES:**
1. MATERIAL: AS NOTED
 2. FINISH: AS NOTED
 3. ELECTRICAL:
VOLTAGE; 600V AC/DC
CURRENT: 13
 4. TEMP RATING: -20° TO +105°C
 5. PROTECTION: IP67 (WHEN MATED)
 6. ALL DIMS ARE FOR REFERENCE
UNLESS NOTED OTHERWISE

TABLE

ITEM	COMPONENT	MATERIAL	FINISH
6	LABEL	VINYL	BLACK/YELLOW
5	POTTING	EPOXY	
4	WIRE, 16 AWG, UL 1015	PVC INSUL.	SEE FACE VIEW
3	CONTACT PIN	Cu ALLOY	GOLD PLATED
2	INSERT	PVC	YELLOW
1	RECEPTACLE SHELL	ZINC DIE-CAST	BLACK E-COAT

.38 WAS .3, UPDATED DOC EC NO: IPG2017-0513 DRWN: RSTONE 11/18/16 CH'KD: M ZIELIN 2016/12/07 APPR: BWOODMAN	QUALITY SYMBOL ▽=0 ▽=0	GENERAL TOLERANCES (UNLESS SPECIFIED)	DIMENSION STYLE IN/MM	SCALE NTS	DESIGN UNITS INCH	THIRD ANGLE PROJECTION															
		<table border="1" style="font-size: small;"> <tr> <th></th> <th>mm</th> <th>INCH</th> </tr> <tr> <td>4 PLACES</td> <td>±---</td> <td>±---</td> </tr> <tr> <td>3 PLACES</td> <td>±---</td> <td>±---</td> </tr> <tr> <td>2 PLACES</td> <td>±0.13</td> <td>±0.01</td> </tr> <tr> <td>1 PLACE</td> <td>±0.3</td> <td>±---</td> </tr> </table>		mm	INCH	4 PLACES	±---	±---	3 PLACES	±---	±---	2 PLACES	±0.13	±0.01	1 PLACE	±0.3	±---	DRAWN BY DATE GGUSTAFS 2013/12/03	TITLE MINI-CHANGE RECEPTACLE 3 POLE MALE 1/2 NPT 16/1 AWG PVC		
		mm	INCH																		
	4 PLACES	±---	±---																		
3 PLACES	±---	±---																			
2 PLACES	±0.13	±0.01																			
1 PLACE	±0.3	±---																			
	ANGULAR ±---°	CHECKED BY DATE LH 2009/04/01																			
	DRAFT WHERE APPLICABLE MUST REMAIN WITHIN DIMENSIONS	APPROVED BY DATE ----	MOLEX INCORPORATED																		
		MATERIAL NO. ---	DOCUMENT NO. SD-130013-003	SHEET NO. 1 OF 1																	

THIS DRAWING CONTAINS INFORMATION THAT IS PROPRIETARY TO MOLEX INCORPORATED AND SHOULD NOT BE USED WITHOUT WRITTEN PERMISSION

Mouser Electronics

Authorized Distributor

Click to View Pricing, Inventory, Delivery & Lifecycle Information:

[Molex:](#)

[1300660002](#)