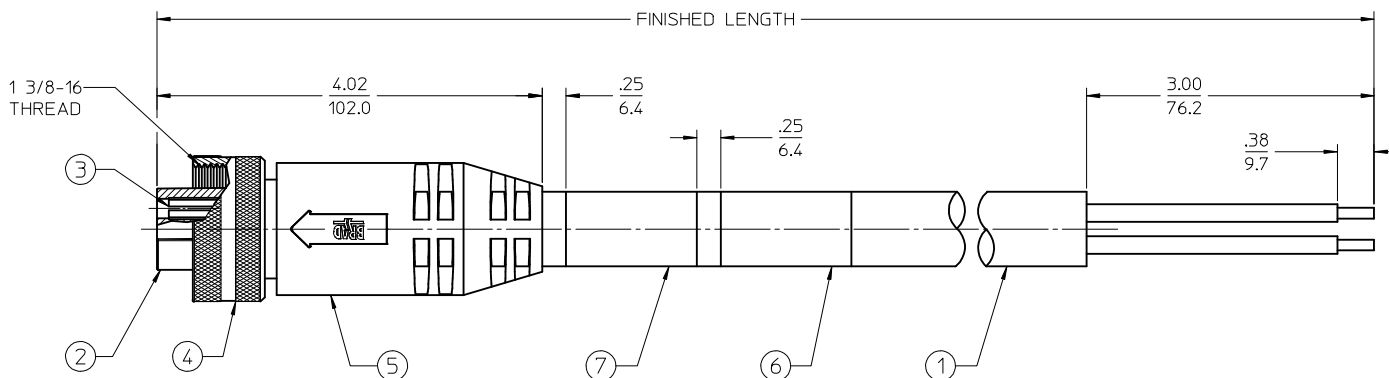
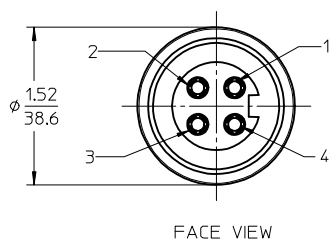


MATERIAL NO.	ENGINEERING NO.	LENGTH
1300633005	C04000K17M010G	1M
1300630273	C04000K17M020G	2M
1300633006	C04000K17M030G	3M

(B1)

CABLE LENGTH TOLERANCES

>.3M [1FT]: +19mm-0 [+1.75in-0]
 .3 - .9M [1 - 3FT]: +44.5mm-0 [+1.75in-0]
 .9 - 1.8M [3 - 6FT]: +55.6mm-0 [+2.19in-0]
 1.8 - 3.7M [6 - 12FT]: +88.9mm-0 [+3.50in-0]
 3.7 - 7.3M [12 - 24FT]: +165.1mm-0 [+6.50in-0]
 7.3-14.6M [24 - 48FT]: +317.5mm-0 [+12.50in-0]
 14.6 - 30.5M [48-100FT]: +622.3mm-0 [+24.50in-0]
 OVER 30M [100FT] +2% OF FINISHED LENGTH



(B1)

- NOTES:
- MATERIAL: AS NOTED
 - FINISHES: AS NOTED
 - ELECTRICAL SPECIFICATIONS
 VOLTAGE RATING: 500V PER IEC60664
 600V PER UL2237
 CURRENT RATING: 32 AMPS
 - PROTECTION: IP67 (WHEN MATED)
 - TEMP RANGE: -20°C TO +90°C
 - AGENCY LISTING: E258922
 - DIMS SHOWN ARE FOR REFERENCE UNLESS NOTED OTHERWISE

1	BLACK-1
2	GREEN/YELLOW
3	BLACK-3
4	BLACK-2

WIRING DIAGRAM

PART NUMBER LEGEND

C04000K17M001G

CABLE TYPE: 10 AWG TC ER, BLACK

OVERMOLD COLOR: BLACK

FINISHED LENGTH:
 M001= .1M
 M010= 1.0M
 M100= 10.0M

ITEM	DESCRIPTION	MATERIAL	FINISH
7	WARNING LABEL	VINYL	ORANGE/BLACK
6	WRAP LABEL	VINYL	BLACK/YELLOW
5	OVERMOLD	PVC	BLACK
4	COUPLING	ALUMINUM	CLEAR ANODIZE
3	CONTACT SOCKET	Cu ALLOY	GOLD PLATED
2	INSERT	PVC	BLACK
1	CABLE, 10/4 TC-ER (SEE NOTE 5)	TPE JACKET	BLACK

UPDATE NOTES, ADD P/N & LENGTH TOL TABLES EC NO: IPG2017-0977	DRWNR:STONE 2017/04/14 CHKD:M ZIEL IN 2017/04/28 APPR:WOODMAN 2017/05/24	DESCRIPTION	QUALITY SYMBOLS ▽=2 ▽=0
--	--	-------------	-------------------------------

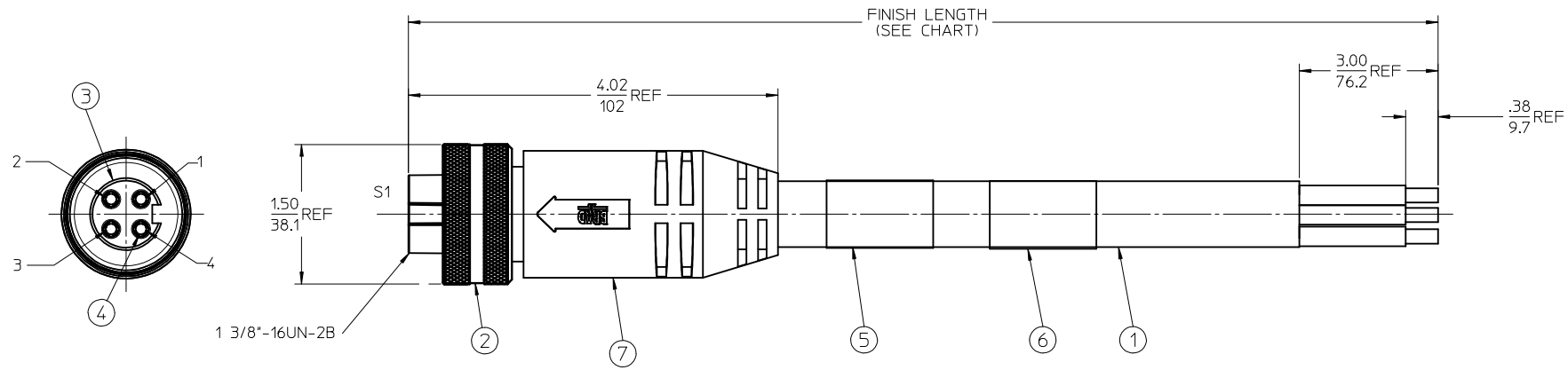
GENERAL TOLERANCES (UNLESS SPECIFIED)	
mm	INCH
4 PLACES ± ---	± ---
3 PLACES ± ---	± ---
2 PLACES ± ---	± ---
1 PLACE ± ---	± ---
0 PLACE ± ---	± ---
ANGULAR ± ---°	

DRAFT WHERE APPLICABLE MUST REMAIN WITHIN DIMENSIONS

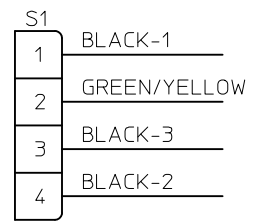
DIMENSION STYLE	
IN/MM	
DRAWN BY	DATE
RSTONE	2016/01/14
CHECKED BY	DATE
APPROVED BY	DATE
BWOODMAN	2016/03/25
MATERIAL NO.	-

SCALE	DESIGN UNITS	THIRD ANGLE PROJECTION
1:1	INCH	☉
TITLE		
QUICK CHANGE 4 POLE FEMALE STRAIGHT 10/4 TPE BLACK		
molex		
DOCUMENT NO.	SHEET NO.	
SD-130063-095	1 OF 1	

MATERIAL NO.	ENG. NO.	FINISH LENGTH
1300630229	C04000K17M080G	8M +317MM-0MM (26.25'+12.50"-0")
1300630230	C04000K17M150G	15M +621MM-0MM (49.21'+24.45"-0")
1300630231	C04000K17M200G	20M +621MM-0MM (65.61'+24.45"-0")
1300630232	C04000K17M350G	35M +700MM-0MM (114.83'+27.55"-0")
1300630234	C04000K17M100G	10M +317MM-0MM (32.81'+12.50"-0")
1300630235	C04000K17M500G	50M +999MM-0MM (164.04'+39.36"-0")



- NOTES:
- 1) MATERIAL: SEE TABLE
 - 2) FINISHES: SEE TABLE
 - 3) LABEL IS MARKED WITH P/N, DATE CODE, VOLTAGE & AMPERAGE
 - 4) MATES WITH: QC 4 POLE CONNECTORS
 - 5) ELECTRICAL DATA:
 10AWG UL TYPE: TC-ER STRANDED
 POLES: 4
 MAX VOLTAGE: 600V AC/DC
 MAX THRU CURRENT: 32A
 PROTECTION IP67
 TEMPERATURE RANGE: -20°C TO 90°C
 - 6) PACKAGING:
 CABLE ASSEMBLIES ARE BAGGED SEPERATLY IN POLY BAGS
 WITH BAR CODE LABEL ATTACHED TO OUTSIDE OF BAG.
 - 7) ASSEMBLY IS RoHS COMPLIANT
 - 8) AGENCY CERTIFICATIONS:
 UL 2237, E258922, CATEGORY PVVA (PENDING)



WIRING DIAGRAM

CUSTOMER PRODUCTION APPROVAL
 APPROVED BY: _____
 DATE: _____
 MUST BE SIGNED AND RETURNED BEFORE
 PRODUCTION WILL BEGIN.

ITEM	QTY	DESCRIPTION	MATERIAL	FINISH
7	1	OVERMOLD	PVC	BLACK
6	1	WRAP LABEL	VINYL	BLACK/YELLOW
5	1	WARNING LABEL	VINYL	----
4	4	QC SOCKET CONTACT	Cu ALLOY	GOLD PLATED
3	1	QC FEMALE INSERT	PVC	BLACK
2	1	QC FEMALE COUPLING NUT	ALUMINUM	CLEAR ANODIZE
1	1	10AWG 4 POLE CABLE	TPE	BLACK

UPDATED PROFILE EC NO: IPG2014-1160 DRAWING: GUSTAFSON 2013/12/20 CHKD: VOU 2014/01/15 APPR: BWOODMAN 2014/05/12	QUALITY SYMBOLS ▽=0 ▽=0	GENERAL TOLERANCES (UNLESS SPECIFIED)		DIMENSION STYLE IN/MM	SCALE 1:1	DESIGN UNITS INCH	THIRD ANGLE PROJECTION
		4 PLACES ± --- ± --- 3 PLACES ± --- ± .005 2 PLACES ± 0.13 ± .010 1 PLACE ± 0.25 ± .020 0 PLACE ± --- ± ---	mm INCH DRAWN BY: BRUPERT DATE: 2013/05/21 CHECKED BY: DATE:	TITLE QC 4 POLE FEMALE STRAIGHT		APPROVED BY: BWOODMAN DATE: 2013/07/24	molex
DRAFT WHERE APPLICABLE MUST REMAIN WITHIN DIMENSIONS		ANGULAR ± ---°		MATERIAL NO. SEE CHART	DOCUMENT NO. SD-84701-092	SHEET NO. 1 OF 1	
THIS DRAWING CONTAINS INFORMATION THAT IS PROPRIETARY TO MOLEX INCORPORATED AND SHOULD NOT BE USED WITHOUT WRITTEN PERMISSION							

Mouser Electronics

Authorized Distributor

Click to View Pricing, Inventory, Delivery & Lifecycle Information:

[Molex:](#)

[1300630230](#)