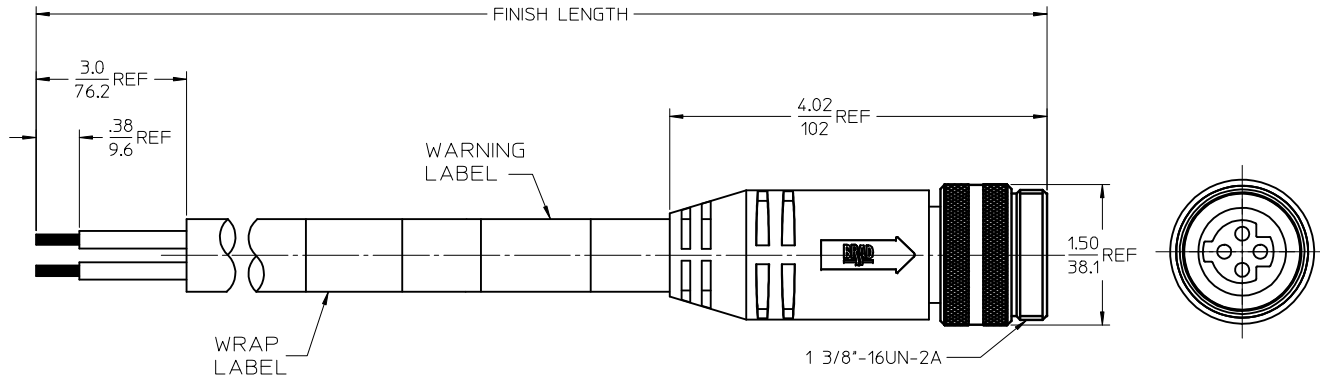
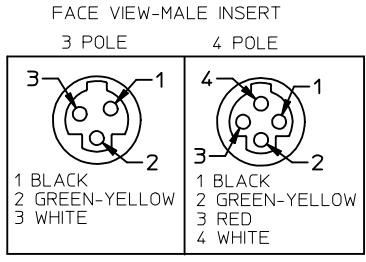


POLES	MATERIAL NO.	ENG. NO.	AMPS	LENGTH
3	1300630200	C03106A48M020	32	2M +89-0MM (6'7"+3.50-0)
4	1300630012	C04106A48M020	32	2M +89-0MM (6'7"+3.50-0)



SPECS:
 OVERMOLD: GRAY PVC W/BLACK STRIP
 INSERT: BLACK PVC
 COUPLING NUT: ANODIZED ALUMINUM
 CABLE: #10AWG GRAY PVC
 DUAL RATED UL TC/OPEN WIRING & ST00W
 ELECTRICAL: 600V AC/DC

UPDATED PROFILE IEC NO: IPG2014-1160 DRWNG:GGUSTAFSON 2013/12/26 CHKD:VOU 2014/01/15 APPR:RWOODMAN 2014/05/12	QUALITY SYMBOLS ▽=0 ▽=0	GENERAL TOLERANCES (UNLESS SPECIFIED) <table border="1"> <thead> <tr> <th></th> <th>mm</th> <th>INCH</th> </tr> </thead> <tbody> <tr> <td>4 PLACES</td> <td>± .---</td> <td>± .---</td> </tr> <tr> <td>3 PLACES</td> <td>± .---</td> <td>± .005</td> </tr> <tr> <td>2 PLACES</td> <td>± .---</td> <td>± .010</td> </tr> <tr> <td>1 PLACE</td> <td>± .---</td> <td>± .020</td> </tr> </tbody> </table>		mm	INCH	4 PLACES	± .---	± .---	3 PLACES	± .---	± .005	2 PLACES	± .---	± .010	1 PLACE	± .---	± .020	DIMENSION STYLE IN/MM DRAWN BY DATE B. RUPERT 01/12/2010 CHECKED BY DATE B. WOODMAN 01/12/2010 APPROVED BY DATE JFMURPHY 2010/01/15	SCALE DESIGN UNITS INCH THIRD ANGLE PROJECTION	TITLE QUICK CHANGE MALE STRAIGHT ALT KEY 3 & 4 POLE PORTABLES MOLEX INCORPORATED	MATERIAL NO. SEE CHART DOCUMENT NO. SD-130063-200	SHEET NO. 1 OF 1
		mm	INCH																			
4 PLACES	± .---	± .---																				
3 PLACES	± .---	± .005																				
2 PLACES	± .---	± .010																				
1 PLACE	± .---	± .020																				
DRAFT WHERE APPLICABLE MUST REMAIN WITHIN DIMENSIONS	SIZE C	THIS DRAWING CONTAINS INFORMATION THAT IS PROPRIETARY TO MOLEX INCORPORATED AND SHOULD NOT BE USED WITHOUT WRITTEN PERMISSION																				

Mouser Electronics

Authorized Distributor

Click to View Pricing, Inventory, Delivery & Lifecycle Information:

[Molex:](#)

[1300630059](#)