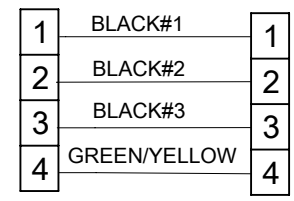


- NOTE:**
- 1) MATERIAL: SEE TABLE
 - 2) FINISHES: SEE TABLE
 - 3) FLAG LABEL IS MARKED WITH PART No., DATE CODE, VOLTAGE AND AMPERAGE
 - 4) ELECTRICAL DATA
POLE: 4
MAX. VOLTAGE: IEC60664 600V
UL2237 600V
MAX. CURRENT: 25A
 - 5) ENVIRONMENTAL PROTECTION: IP67
TEMPERATURE RATING: -20C TO 90C
 - 6) PACKAGING:
ASSEMBLIES ARE BAGGED SEPARATELY IN POLY BAGS WITH BAR CODE LABEL ATTACHED TO OUTSIDE OF BAG
 - 7) ASSEMBLY IS RoHS COMPLIANT
 - 8) CERTIFICATION
UL2237
 - 9) ADDITIONAL CABLE INFORMATION
MINIMUM BEND RADIUS: 7.5X CABLE DIAMETER (0.656")
 - 10) DIMENSIONS ARE REFERENCE UNLESS OTHERWISE SPECIFIED

WIRING DIAGRAM



PART NUMBER MATRIX
334T30K26M005A3

CABLE TYPE
12/4C AWG TYPE
SHIELDED

FINISH LENGTH
M005 = 0.5 METER
M010 = 1 METER
M100 = 10 METER

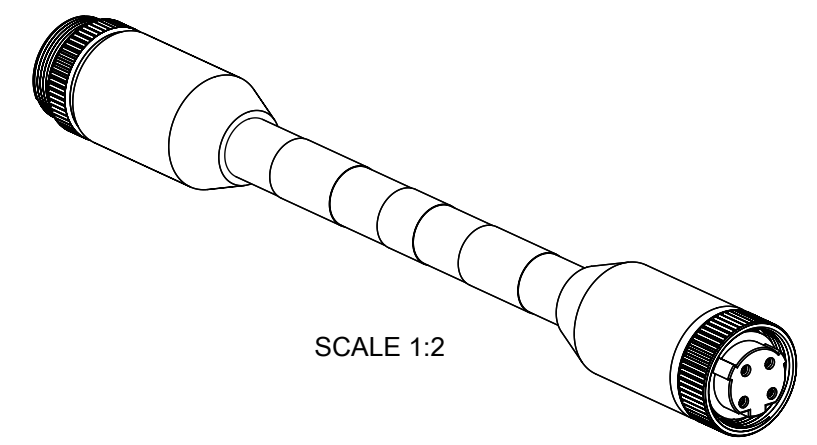


CHART	PART NO.	ENGINEERING NO.	FINISHED LENGTH
	1300620300	334T30K26M020A3	2.0M (78.7")
	1300611064	304T06K26M040A3	4.0M (157.5")
	1300611065	304T06K26M060A3	6.0M (236.2")

ITEM	DESCRIPTION	MATERIAL	FINISH
11	WARNING LABEL	VINYL	MULTI COLOR
10	WRAP LABEL	VINYL	YELLOW
9	FEMALE COUPLING NUT	BRASS	NICKEL PLATED
8	4P FEMALE INSERT	TPE	BLACK
7	SOCKET SLEEVE	STAINLESS STEEL	
6	SOCKET CONTACT	BRASS	GOLD PLATED
5	OVER MOLD	TPE	GRAY
4	MALE COUPLING NUT	BRASS	NICKEL PLATED
3	4P MALE INSERT	TPE	BLACK
2	PIN CONTACT	BRASS	GOLD PLATED
1	12/4C AWG SHIELDED, VFD	TPE JACKET, XLPE INSUL	BLACK

CABLE LENGTH TOLERANCES

- >.3M [1FT]: +19mm-0 [+ .75in-0]
- .3 - .9M [1 - 3FT]: +44.5mm-0 [+1.75in-0]
- .9 - 1.8M [3 - 6FT]: +55.6mm-0 [+2.19in-0]
- 1.8 - 3.7M [6 - 12FT]: +88.9mm-0 [+3.50in-0]
- 3.7 - 7.3M [12 - 24FT]: +165.1mm-0 [+6.50in-0]
- 7.3-14.6M [24 - 48FT]: +317.5mm-0 [+12.50in-0]
- 14.6 - 30.5M [48-100FT]: +622.3mm-0 [+24.50in-0]
- OVER 30M [100FT] +2% OF FINISHED LENGTH

QUALITY SYMBOLS ▽ = 0 ▽ = 0 ▽ = 0 ▽ = 0 ▽ = 0 ▽ = 0 ▽ = 0 ▽ = 0 ▽ = 0	THIS DRAWING CONTAINS INFORMATION THAT IS PROPRIETARY TO MOLEX ELECTRONIC TECHNOLOGIES, LLC AND SHOULD NOT BE USED WITHOUT WRITTEN PERMISSION	ADD CABLE INFO EC NO: 176042 DRWN: MZIELINSKI CHKD: CCHRASKA APPR: BWOODMAN	GENERAL TOLERANCES (UNLESS SPECIFIED) ANGULAR TOL ± ° 4 PLACES ± 3 PLACES ± 2 PLACES ± 1 PLACE ± 0 PLACES ±	DIMENSION UNITS HYBRID	SCALE 1:1	
				DRWN BY TWOLEDGEGBRIE	DATE 2016/07/08	
		DRAFT WHERE APPLICABLE MUST REMAIN WITHIN DIMENSIONS		DRAWING SIZE B	THIRD ANGLE PROJECTION	PRODUCT CUSTOMER DRAWING SERIES: 130062 MATERIAL NUMBER: SEE CHART CUSTOMER:
RELEASE STATUS: P1		RELEASE DATE: 2018/05/03 13:34:18		DOCUMENT NUMBER: 1300620300		DOC TYPE: PSD DOC PART: 000 SHEET NUMBER: 1 OF 1

Mouser Electronics

Authorized Distributor

Click to View Pricing, Inventory, Delivery & Lifecycle Information:

[Molex:](#)

[1300621086](#)