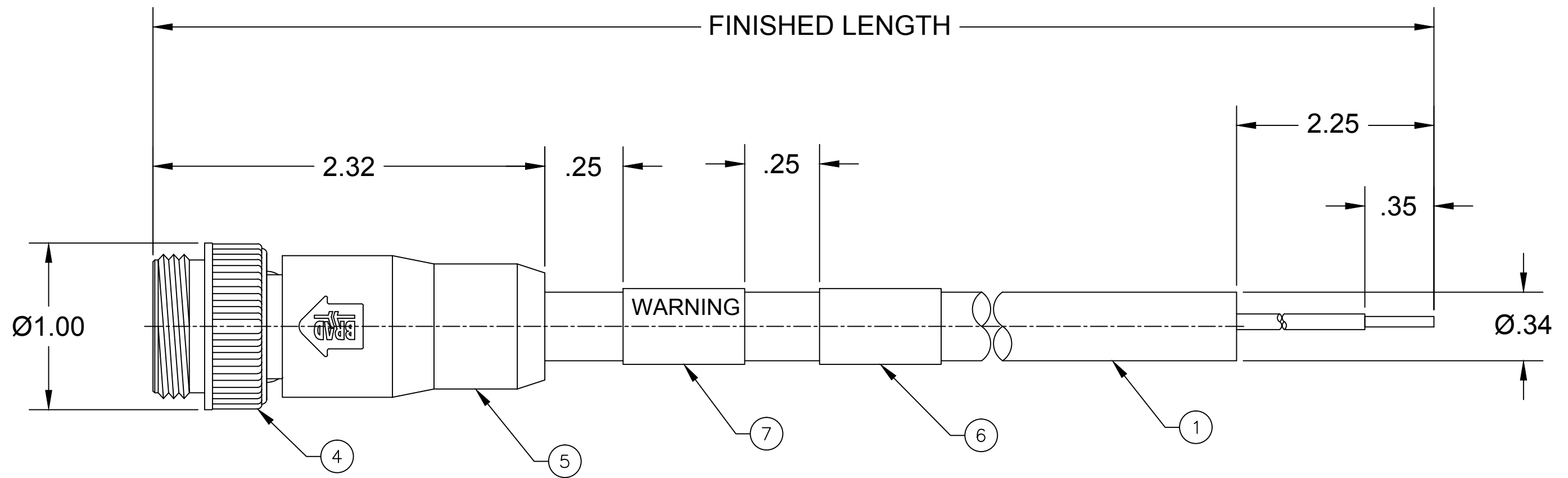
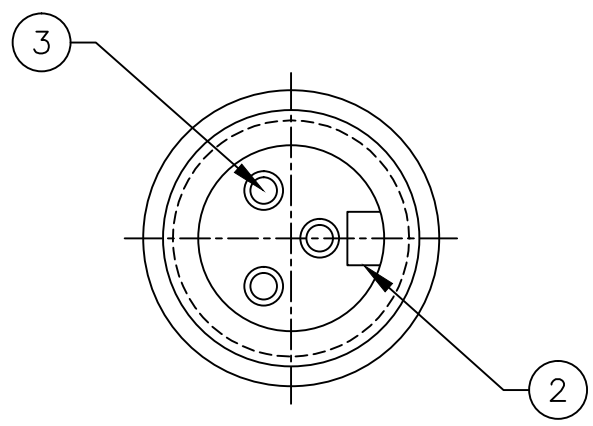


PART NO.	ENGINEERING NO.	FINISHED LENGTH	COLOR
1300610282	103006K20M010E	1.0M [3'3"]	RED
1300610278	103006K20M020E	2.0M [6'7"]	RED
(C1) 1300611104	103006K20M030G	3.0M [9'10"]	BLACK



- NOTES:**
- MATERIAL: AS NOTED
  - FINISH: AS NOTED
  - ELECTRICAL:  
VOLTAGE: 500V PER IEC60664  
600V PER UL2237  
CURRENT: 15A
  - TEMP RATING: -20°TO +90°C
  - PROTECTION: IP67 (WHEN MATED)
  - COUPLING THREAD: 7/8-16UN
  - UL LISTED FILE: E258922
  - ALL DIMS ARE FOR REFERENCE UNLESS TOLERANCED OR NOTED OTHERWISE

**PART NUMBER LEGEND**

(C1) **103006K20M010E**

CABLE TYPE: 14 AWG TC-ER  
TPE/PVC, BLACK

OVERMOLD COLOR  
BLANK = GRAY  
E = RED  
G = BLACK

LENGTH  
M001 = .1 METER  
M010 = 1 METER  
M100 = 10 METER

**CABLE LENGTH TOLERANCES**

>.3M [1FT]:	+19mm-0 [+1.75in-0]
.3 - .9M [1 - 3FT]:	+44.5mm-0 [+1.75in-0]
.9 - 1.8M [3 - 6FT]:	+55.6mm-0 [+2.19in-0]
1.8 - 3.7M [6 - 12FT]:	+88.9mm-0 [+3.50in-0]
3.7 - 7.3M [12 - 24FT]:	+165.1mm-0 [+6.50in-0]
7.3-14.6M [24 - 48FT]:	+317.5mm-0 [+12.50in-0]
14.6 - 30.5M [48-100FT]:	+622.3mm-0 [+24.50in-0]
OVER 30M [100FT]:	+2% OF FINISHED LENGTH

ITEM	DESCRIPTION	MATERIAL	FINISH
7	WARNING LABEL	VINYL	BLACK/ORANGE
6	WRAP LABEL	VINYL	BLACK/YELLOW
5	OVERMOLD	PVC	SEE P/N LEGEND
4	COUPLING	ZINC DIE-CAST	BLACK
3	CONTACT PIN	COPPER ALLOY	GOLD PLATED
2	MALE INSERT (A-SIZE)	PVC	BLACK
1	CABLE, 14/3 TC-ER	TPE JACKET	BLACK

REVD PIN LEGEND, TABLE & NOTES EC NO.: IPG2019-0484 DRWN: RSTONE 4/9/19 CH'KD: C CHRAST 2019/02/05 APPR: BWOODMAN2014/12/08	QUALITY SYMBOL	GENERAL TOLERANCES (UNLESS SPECIFIED)	DIMENSION STYLE	SCALE	DESIGN UNITS	THIRD ANGLE PROJECTION
	▼=0 ▽=0	mm INCH 4 PLACES ±--- ±--- 3 PLACES ±--- ±--- 2 PLACES ±--- ±--- 1 PLACE ±--- ±---	INCH	NTS	INCH	
		ANGULAR ±---° DRAFT WHERE APPLICABLE MUST REMAIN WITHIN DIMENSIONS	DRAWN BY DATE BARDEN 2014/11/26 CHECKED BY DATE C CHRAST 2019/04/11 APPROVED BY DATE JFMURPHY 2014/12/08	TITLE BRAD POWER ASSEMBLY 3P M/MP STRAIGHT #14AWG CABLE		
	C1		MATERIAL NO. SEE TABLE SIZE C	MOLEX INCORPORATED DOCUMENT NO. SD-130061-028 SHEET NO. 1 OF 1		

THIS DRAWING CONTAINS INFORMATION THAT IS PROPRIETARY TO MOLEX INCORPORATED AND SHOULD NOT BE USED WITHOUT WRITTEN PERMISSION

# Mouser Electronics

Authorized Distributor

Click to View Pricing, Inventory, Delivery & Lifecycle Information:

Molex:

[1300610282](#)