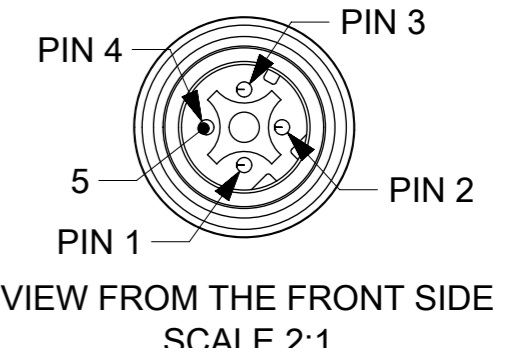
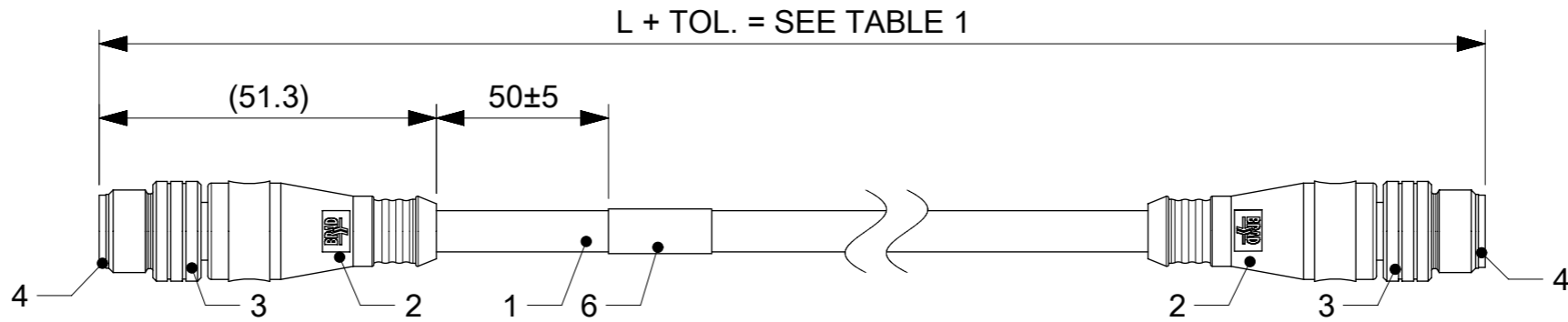
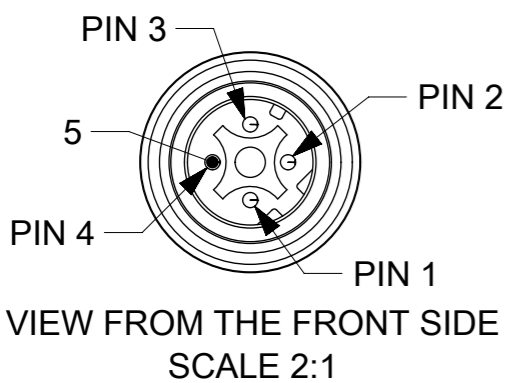
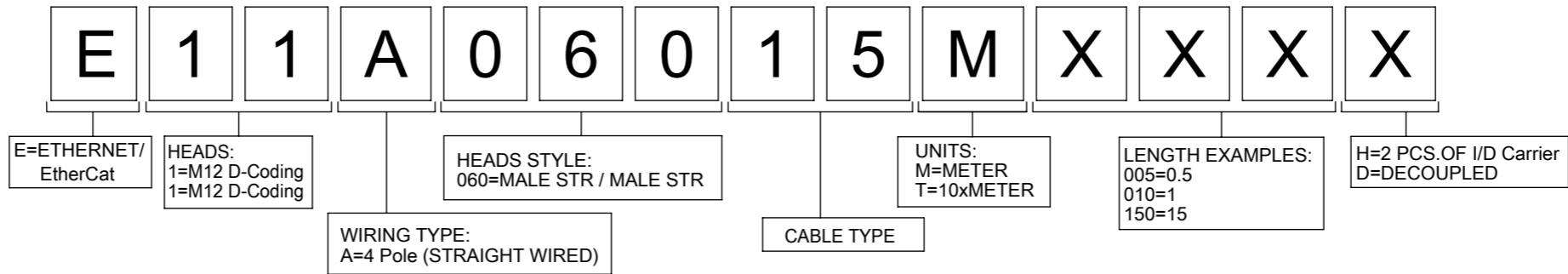


# CABLE SPECIFICATION

CONDUCTOR:  
 MATERIAL: TINED COPPER  
 SECTION: 26AWG  
 INSULATION:  
 COMPOUND: POLYOLEFIN  
 JACKET:  
 COMPOUND: PVC  
 COLOR: TEAL  
 NOM. DIAMETER: 5.99mm  
 TEMPERATURE RATING:  
 -20°C TO +75°C  
 VOLTAGE RATING MAX: 300V RMS  
 DIELECTRIC WITHSTANDING MIN: 1500V RMS

# PART No MATRIX



## WIRING DIAGRAM



OVER	UP TO AND INCLUDING	TOLERANCE (+)
0	305	+19
305	915	+45
915	1830	+56
1830	3660	+89
3660	7320	+165
7320	14640	+317
14640	30500	+610
30500	>	+2% OF LENGTH

## BILL OF MATERIALS

ITEM	QTY.	DESCRIPTION	MATERIAL	FINISH
6	1	LABEL WH	-	-
5	8	CONTACT MA	COPPER ALLOY	GOLD OVER NICKEL
4	2	INSERT MA 4P DC BK	PUR	-
3	2	COUPLING NUT	BRASS	NICKEL
2	-	MOULDING MATERIAL BK	TBU	-
1	-	CABLE 4x26AWG CAT5E TEAL	PVC	-

MOLEX PN	ENGINEERING No	L [mm]	MOLEX PN	ENGINEERING No	L [mm]	MOLEX PN	ENGINEERING No	L [mm]
1300480009	E11A06015M030	3000	1300488109	E11A06015M800	80000	1300488165	E11A06015M420	42000
1300480010	E11A06015M200	20000	1300488113	E11A06015M350	35000	1300488166	E11A06015M450	45000
1300480011	E11A06015M400	40000	1300488125	E11A06015M110	11000	1300488167	E11A06015M460	46000
1300480122	E11A06015M010	1000	1300488126	E11A06015M120	12000	1300488168	E11A06015M540	54000
1300480124	E11A06015M020	2000	1300488127	E11A06015M140	14000	1300488169	E11A06015M550	55000
1300480126	E11A06015M050	5000	1300488128	E11A06015M060	6000	1300488170	E11A06015M570	57000
1300480128	E11A06015M100	10000	1300488145	E11A06015M070	7000	1300488171	E11A06015M610	61000
1300480130	E11A06015M150	15000	1300488146	E11A06015M080	8000	1300488172	E11A06015M650	65000
1300480132	E11A06015M300	30000	1300488147	E11A06015M090	9000	1300488173	E11A06015M700	70000
1300480303	E11A06015M500	50000	1300488148	E11A06015M130	13000	1300488174	E11A06015M750	75000
1300480304	E11A06015M680	68000	1300488159	E11A06015M005	500	1300488175	E11A06015M850	85000
1300488007	E11A06015M250	25000	1300488160	E11A06015M180	18000	1300488176	E11A06015M900	90000
1300488012	E11A06015M400	4000	1300488161	E11A06015M230	23000	1300488177	E11A06015M950	95000
1300488108	E11A06015M600	60000	1300488162	E11A06015M270	27000	1300480120	E11A06015M006	600
			1300488163	E11A06015M340	34000	1300488210	E11A06015M003	300
			1300488164	E11A06015M380	38000			

THIS DRAWING CONTAINS INFORMATION THAT IS PROPRIETARY TO MOLEX ELECTRONIC TECHNOLOGIES, LLC AND SHOULD NOT BE USED WITHOUT WRITTEN PERMISSION

DIMENSION UNITS: mm SCALE: 2:1

GENERAL TOLERANCES (UNLESS SPECIFIED):

ANGULAR TOL ± °

4 PLACES ±

3 PLACES ±

2 PLACES ±

1 PLACE ±

0 PLACES ±

DRAFT WHERE APPLICABLE MUST REMAIN WITHIN DIMENSIONS

THIRD ANGLE PROJECTION

DRAWING: A3-SIZE

SERIES: 130048

MATERIAL NUMBER: SEE TABLE

CUSTOMER: GENERAL MARKET

SHEET NUMBER: 1 OF 1

EC NO: 651926

DRWN: ABHISP1 2020/11/26

CHK'D: GGA 2020/12/29

APPR: GGA 2020/12/29

INITIAL REVISION:

DRWN: DSTACHOWIAK 2017/06/26

APPR: MIWASIECZKO 2017/06/28

DOCUMENT NUMBER: 1300488146

DOC TYPE: PSD

DOC PART: 000

REVISION: A2

CURRENT REV DESC: OBSOLETE PART NUMBER

**molex**

CSE M12 ETH 4P DC MA MA STR PVC XM DE

PRODUCT CUSTOMER DRAWING

# Mouser Electronics

Authorized Distributor

Click to View Pricing, Inventory, Delivery & Lifecycle Information:

[Molex:](#)

[1300488012](#)