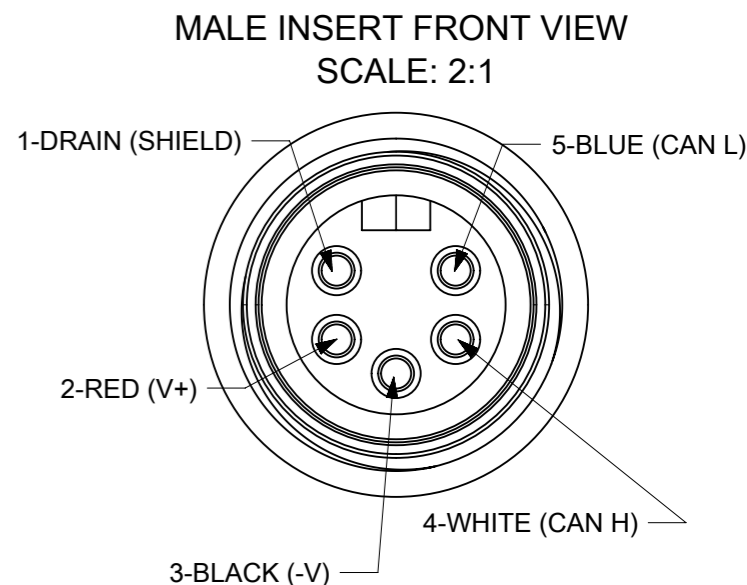
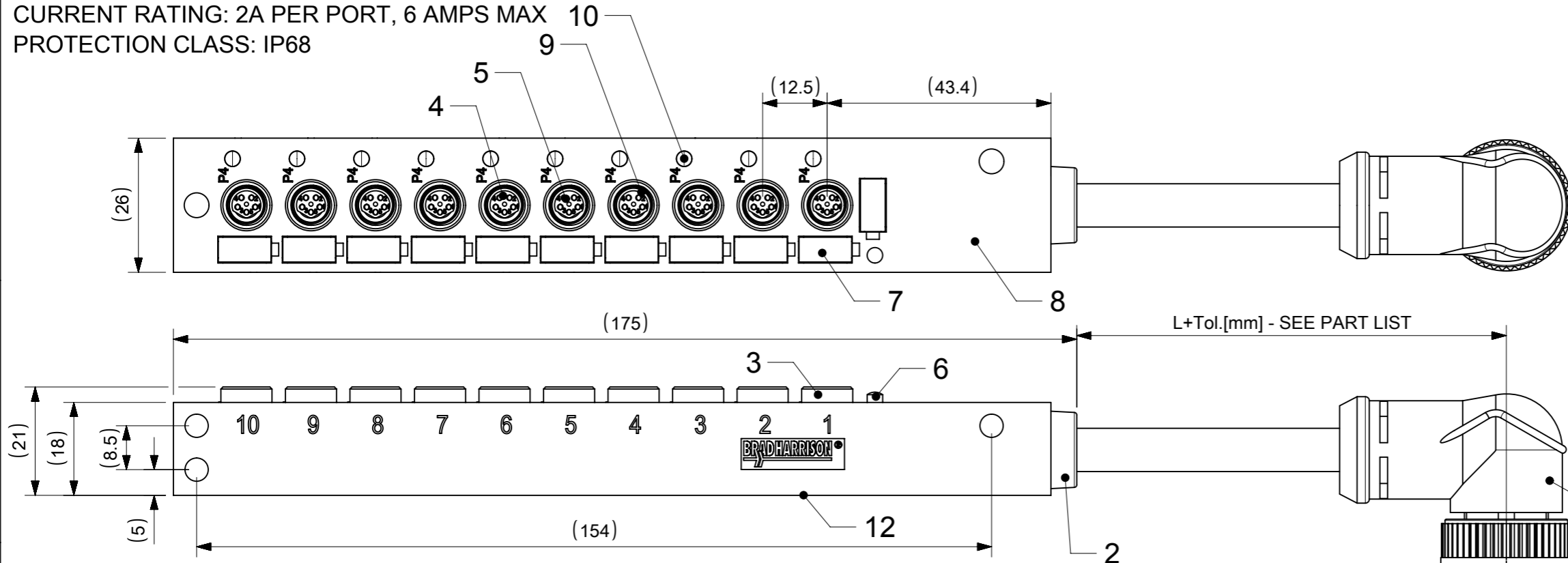
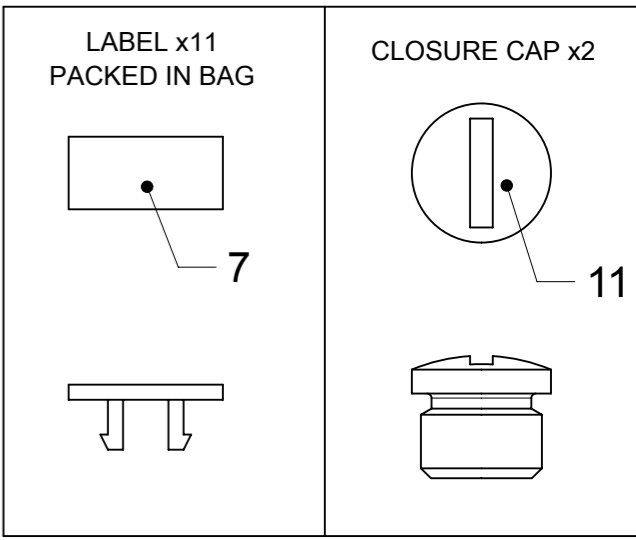
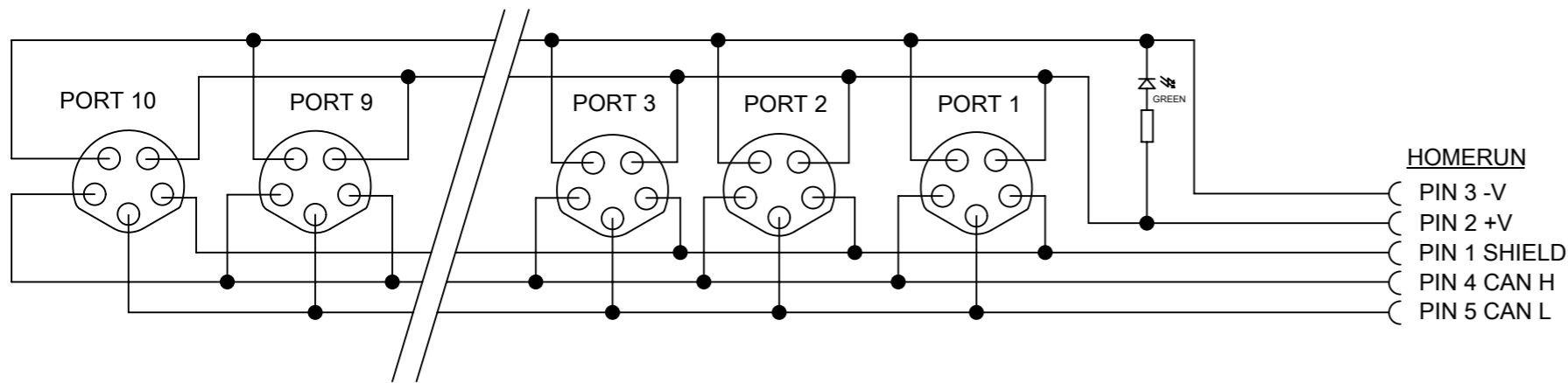


ELECTRICAL SPECIFICATION:  
 VOLTAGE: 10-30V DC  
 CURRENT RATING: 2A PER PORT, 6 AMPS MAX  
 PROTECTION CLASS: IP68



WIRING DIAGRAM



**BOM**

ITEM	QTY	DESCRIPTION	MATERIAL	FINISH/COLOR
12	-	POTTING MATERIAL	WEVO	-
11	2	BLANKING PLUG - M8 MALE	DURETHAN B30S	BLACK
10	10	MPIS-LED Lens YE single	ULTRADUR B4406 G2	YELLOW
9	10	GASKET OR FKM 5.0X0.8 RD 70	FKM	RED
8	1	M8-MPIS 3P-10 PORT HOUSING YEL	PBT	YELLOW
7	11	LABEL;M8-MPIS-PORT PLASTIC	PVC	WHITE
6	1	FIBER-OPTIC PA TR HB D3.6XL9.4 DBO MPIS	GRILLAMID TR 55 LX NATURAL	TRANSPARENT
5	50	CONTACT 10 FE TUR AG SO	BRASS	GOLD OVER Ni- PLATED
4	10	M8-5 POLE FEMALE INSERT	PUR	BLACK
3	10	SPECIAL M8-MPIS REC. SHELL	CZ121 Pb3	BRIGHT NICKEL PLATED
2	1	M8-MPIS CABLE PLATE-DIA 8.4mm	ULTRADUR B4406 G2	YELLOW
1	-	MC 5P M/MP 1M 90D MID	-	-
ITEM	QTY	DESCRIPTION	MATERIAL	FINISH/COLOR

**PART LIST**

MOLEX PN	ENGINEERING NO	L+Tol.[mm]
1300380011	BG19955-M002	200 ±25
1300380021	BG19955-M003	300 ±25
1300380022	BG19955-M005	500 ±25
1300380023	BG19955-M007	700 ±25

THIS DRAWING CONTAINS INFORMATION THAT IS PROPRIETARY TO MOLEX ELECTRONIC TECHNOLOGIES, LLC AND SHOULD NOT BE USED WITHOUT WRITTEN PERMISSION

SYMBOLS:  $\nabla = 0$ ,  $\nabla = 0$ ,  $\nabla = 0$ ,  $\nabla = 0$ ,  $\nabla = 0$ ,  $\nabla = 0$ ,  $\nabla = 0$ ,  $\nabla = 0$ ,  $\nabla = 0$ ,  $\nabla = 0$

THIS DRAWING CONTAINS INFORMATION THAT IS PROPRIETARY TO MOLEX ELECTRONIC TECHNOLOGIES, LLC AND SHOULD NOT BE USED WITHOUT WRITTEN PERMISSION

SCALE: 1:1

GENERAL TOLERANCES (UNLESS SPECIFIED):

ANGULAR TOL ± 2.0°

4 PLACES ±

3 PLACES ±

2 PLACES ±

1 PLACE ± 0.3

0 PLACES ±

DRAFT WHERE APPLICABLE MUST REMAIN WITHIN DIMENSIONS

THIRD ANGLE PROJECTION

DRAWING: A3-SIZE

SERIES: 130038

CURRENT REV DESC:

EC NO: 606442

DRWN: MKOWALCZYK01 2018/10/19

CHK'D: DSTACHOWIAK 2018/10/25

APPR: DSTACHOWIAK 2018/10/25

INITIAL REVISION:

DRWN: RSTONE 2010/12/06

APPR: JFMURPHY 2011/01/24

PRODUCT CUSTOMER DRAWING

DOCUMENT NUMBER: SD-130038-003

DOC TYPE: PSD

DOC PART: 001

REVISION: A1

MATERIAL NUMBER: SEE PART LIST

CUSTOMER: GENERAL MARKET

SHEET NUMBER: 1 OF 1

# Mouser Electronics

Authorized Distributor

Click to View Pricing, Inventory, Delivery & Lifecycle Information:

[Molex:](#)

[1300380011](#)