

MATERIAL NO.	ENGINEERING NO.	FINISHED LENGTH
1300250196	DN99A-M006	1 FT 11.6 IN (0.6M)
1300250220	DN99A-M400	131 FT 2.8 IN (40.0M)
1300250223	DN99A-M750	246 FT (75.0M)

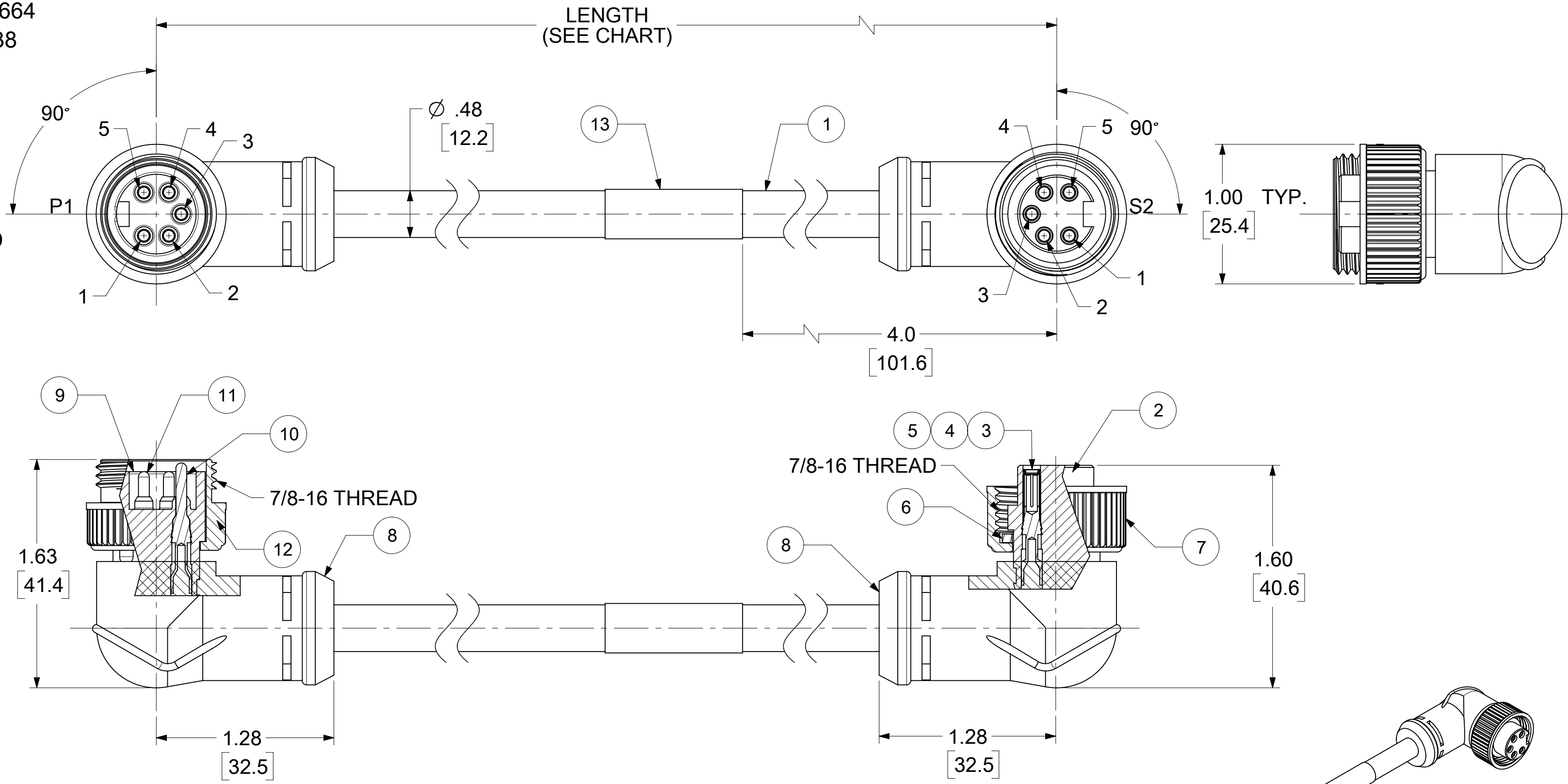
**CABLE LENGTH TOLERANCES**  
 <.3M [1FT]: +19mm-0 [ +.75in-0]  
 .3 - .9M [1 - 3FT]: +44.5mm-0 [+1.75in-0]  
 .9 - 1.8M [3 - 6FT]: +55.6mm-0 [+2.19in-0]  
 1.8 - 3.7M [6 - 12FT]: +88.9mm-0 [+3.50in-0]  
 3.7 - 7.3M [12 - 24FT]: +165.1mm-0 [+6.50in-0]  
 7.3-14.6M [24 - 48FT]: +317.5mm-0 [+12.50in-0]  
 14.6 - 30.5M [48-100FT]: +622.3mm-0 [+24.50in-0]  
 OVER 30M [100FT] +2% OF FINISHED LENGTH

**PART NO. MATRIX**  
 DN99A-M010  
 FINISHED LENGTH  
 M005= 0.5 METER  
 M010= 1 METER  
 M100= 10 METER

**WIRING DIAGRAM**

P1		S2
1	DRAIN	1
2	RED +V	2
3	BLACK -V	3
4	WHITE CAN H	4
5	BLUE CAN L	5

- NOTES:**
1. MATERIAL: AS NOTED
  2. FINISH: AS NOTED
  3. ELECTRICAL SPECIFICATIONS  
 VOLTAGE RATING: 300V PER IEC60664  
 300V PER UL2238  
 CURRENT RATING: 4A
  4. TEMP RANGE: -20°C TO +80°C
  5. PROTECTION: IP67 (WHEN MATED)
  6. UL RECOGNIZED FILE: E152210  
 CSA CERTIFIED FILE: LR6837
  7. ALL DIMENSIONS ARE FOR REFERENCE UNLESS TOLERANCED OR NOTED OTHERWISE.



13	LABEL	VINYL	BLACK/YELLOW
12	COUPLING NUT, MALE	ZINC DIE CAST	BLACK
11	CONTACT PIN, 18 AWG	BRASS	GOLD PLATED
10	CONTACT PIN, 16 AWG	BRASS	GOLD PLATED
9	INSERT, MALE, 5 POLE	TPE	GRAY
8	OVERMOLD	TPE	GRAY
7	COUPLING NUT, FEMALE	ZINC DIE CAST	BLACK
6	FRICTION RING	NYLON	WHITE
5	SOCKET SLEEVE	ST. STEEL	
4	CONTACT SOCKET, 18 AWG	BRASS	GOLD PLATED
3	CONTACT SOCKET, 16 AWG	BRASS	GOLD PLATED
2	INSERT, FEMALE, 5 POLE	TPE	GRAY
1	CABLE, DEV-NET, TRUNK, 18/2, 15/2	PVC JACKET	GRAY
ITEM	DESCRIPTION	MATERIAL	FINISH

THIS DRAWING CONTAINS INFORMATION THAT IS PROPRIETARY TO MOLEX ELECTRONIC TECHNOLOGIES, LLC AND SHOULD NOT BE USED WITHOUT WRITTEN PERMISSION

FUNCTIONAL SYMBOLS	DIMENSION UNITS	SCALE	CURRENT REV DESC: ITEM 2, 8 & 9 WERE PVC & MATERIAL TABLE MODIFIED.
$\frac{F}{A} = 0$	INCH/MM	1.5:1	
$\frac{F}{C} = 0$	GENERAL TOLERANCES (UNLESS SPECIFIED)		
$\frac{F}{P} = 0$		MM	INCH
DIVISIONAL SYMBOLS	4 PLACES	±	±
	3 PLACES	±	±
	2 PLACES	±	±
	1 PLACE	±	±
	0 PLACES	±	±
	ANGULAR TOL	±	°
	DRAFT WHERE APPLICABLE MUST REMAIN WITHIN DIMENSIONS		
	THIRD ANGLE PROJECTION	DRAWING	SERIES
		C-SIZE	130025

EC NO: 645633  
 DRWN: VBASUTHKARP 2020/05/22  
 CHK'D: RSTONE 2020/10/01  
 APPR: BWOODMAN 2020/10/23

INITIAL REVISION:  
 DRWN: RSTONE 2009/05/11  
 APPR: JFMURPHY 2009/05/15

**molex**  
 MINI-CHANGE CORDSET, A SIZE  
 5 POLE, MALE-FEMALE, 90/90 DEG, SINGLE KEY,  
 15/18 AWG, DEVICE NET

PRODUCT CUSTOMER DRAWING

DOCUMENT NUMBER	DOC TYPE	DOC PART	REVISION
SD-130025-003	PSD	001	B
MATERIAL NUMBER	CUSTOMER	SHEET NUMBER	
SEE TABLE	GENERAL MARKET	1 OF 1	

# Mouser Electronics

Authorized Distributor

Click to View Pricing, Inventory, Delivery & Lifecycle Information:

[Molex:](#)

[1300250217](#)