

NOTES:

1. ELECTRICAL:

- VOLTAGE RATING PER IEC 60664: 300V
- VOLTAGE RATING PER UL: 300V
- CURRENT: 8A

2. TEMP RATING: -25° TO +80°C

3. PROTECTION: IP67 (WHEN MATED)

4. COUPLING THREAD" 7/8-16

5. AGENCY:

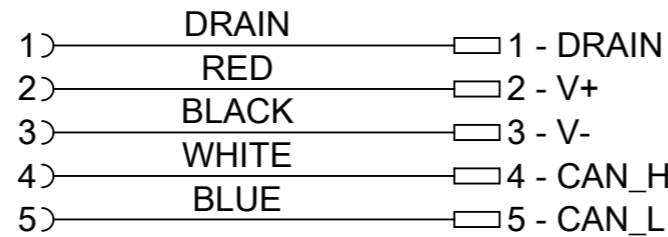
- UL RECOGNIZED, FILE: E152210
- CSA CERTIFICATION FILE: LR6837

6 ALL DIMS ARE FOR REFERENCE UNLES NOTED OTHERWISE

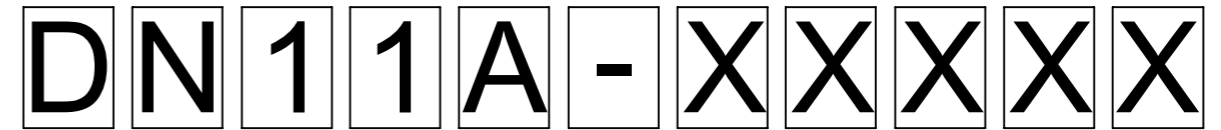
UNLES NOTED OTHERWISE

7. PART NUMBER WITH "H" HAVE TWO ID MARKERS ONE ON EACH END

WIRING DIAGRAM



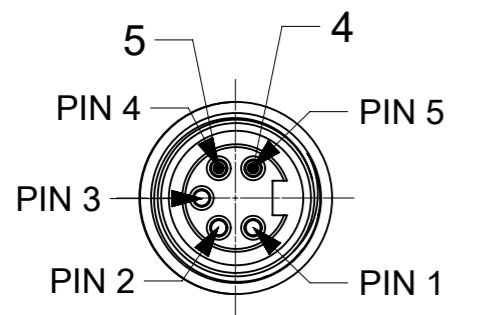
PART No. MATRIX



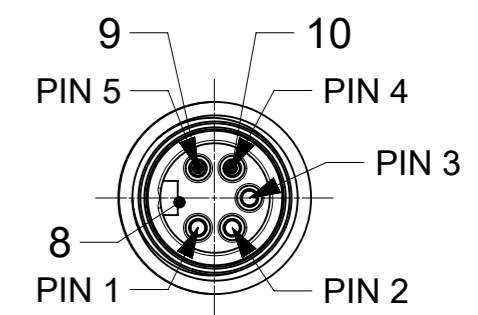
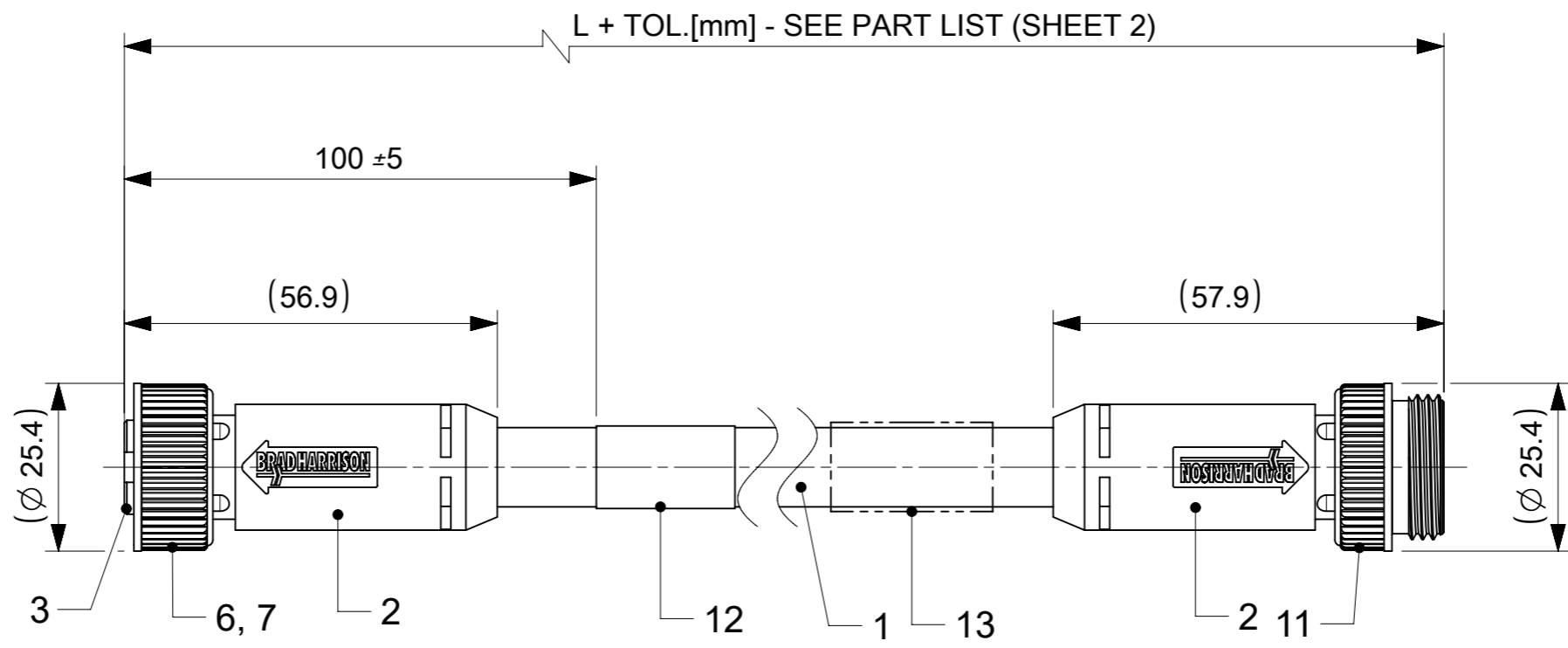
Units: M = Meter

Length Examples:  
005 = 0.5 m  
010 = 1 m  
050 = 5 m  
100 = 10 m  
150 = 15 m

OPTIONAL:  
H= ID CARRIER



VIEW FROM THE FRONT SIDE



VIEW FROM THE FRONT SIDE

BILL OF MATERIALS

ITEM	QTY	DESCRIPTION	MATERIAL	FINISH/COLOR
13	2	ID CARRIER	PVC	-
12	1	LABEL WRAP	VINYL	YELLOW
11	1	COUPLING NUT A-SIZE EXT.	ZINC	BLACK
10	2	PIN CONTACT 16 AWG	COPPER	GOLD OVER Ni-PLATED
9	3	PIN CONTACT 18 AWG	COPPER	GOLD OVER Ni-PLATED
8	1	HOUSING A-SIZE 5P MALE	ARNITEL	BLACK
7	1	FRICTION RING A-SIZE	NYLON	GRAY
6	1	MC COUPLING NUT A-SIZE	ZINC	BLACK
5	2	MC SOCKET SLEEVE ASSY 16 AWG	COPPER	GOLD OVER Ni-PLATED
4	3	MC SOCKET SLEEVE ASSY 18 AWG	COPPER	GOLD OVER Ni-PLATED
3	1	HOUSING A-SIZE 5P FEMALE	ARNITEL	BLACK
2	-	MOULDING MATERIAL	ARNITEL	BLACK
1	-	TRUNK CABLE 19X30 AWG OD=12	PVC	GRAY
ITEM	QTY	DESCRIPTION	MATERIAL	FINISH/COLOR

THIS DRAWING CONTAINS INFORMATION THAT IS PROPRIETARY TO MOLEX ELECTRONIC TECHNOLOGIES, LLC AND SHOULD NOT BE USED WITHOUT WRITTEN PERMISSION

FUNCTIONAL SYMBOLS:  $\sqrt{A} = 0$ ,  $\sqrt{E} = 0$ ,  $\sqrt{V} = 0$

DIVISIONAL SYMBOLS: 4 PLACES ±, 3 PLACES ±, 2 PLACES ± 0.05, 1 PLACE ± 0.3, 0 PLACES ± 0.5

THIS DRAWING CONTAINS INFORMATION THAT IS PROPRIETARY TO MOLEX ELECTRONIC TECHNOLOGIES, LLC AND SHOULD NOT BE USED WITHOUT WRITTEN PERMISSION

EC NO: 651030  
DRWN: MKOWALCZYK01 2020/04/27  
CHK'D: ASZELAG 2020/12/09  
APPR: DSTACHOWIAK 2020/12/10

INITIAL REVISION:  
DRWN: MKOWALCZYK01 2018/09/07  
APPR: MMATLA 2018/09/11

THIRD ANGLE PROJECTION

DRAWING: A3-SIZE  
SERIES: 130025  
MATERIAL NUMBER: SEE SHEET 2  
CUSTOMER: GENERAL MARKET

DOCUMENT NUMBER: 1300250051  
DOC TYPE: PSD  
DOC PART: 000  
REVISION: B

SHEET NUMBER: 1 OF 2

6

5

4

3

2

1

## PART LIST

MOLEX PN	ENGINEERING NO.	LENGTH + TOL.[mm]
1300240329	DN11A-M650	65000 + 1300
1300250051	DN11A-M005	500 + 45
1300250054	DN11A-M010	1000 + 56
1300250058	DN11A-M015	1500 + 56
1300250061	DN11A-M020	2000 + 89
1300250067	DN11A-M030	3000 + 89
1300250071	DN11A-M040	4000 + 165
1300250073	DN11A-M050	5000 + 165
1300250076	DN11A-M060	6000 + 165
1300250079	DN11A-M070	7000 + 165
1300250081	DN11A-M080	8000 + 317
1300250083	DN11A-M090	9000 + 317
1300250085	DN11A-M100	10000 + 317
1300250087	DN11A-M120	12000 + 317
1300250090	DN11A-M130	13000 + 317
1300250091	DN11A-M140	14000 + 317
1300250092	DN11A-M150	15000 + 610
1300250095	DN11A-M180	18000 + 610
1300250097	DN11A-M200	20000 + 610
1300250099	DN11A-M210	21000 + 610
1300250102	DN11A-M240	24000 + 610
1300250103	DN11A-M250	25000 + 610
1300250105	DN11A-M270	27000 + 610
1300250108	DN11A-M300	30000 + 610

MOLEX PN	ENGINEERING NO.	LENGTH + TOL.[mm]
1300250114	DN11A-M350	35000 + 700
1300250117	DN11A-M400	40000 + 800
1300250119	DN11A-M450	45000 + 900
1300250122	DN11A-M500	50000 + 1000
1300250128	DN11A-M750	75000 + 1500
1300250649	DN11A-M005H	500 + 45
1300250652	DN11A-M050H	5000 + 165
1300250654	DN11A-M060H	6000 + 165

FUNCTIONAL SYMBOLS	THIS DRAWING CONTAINS INFORMATION THAT IS PROPRIETARY TO MOLEX ELECTRONIC TECHNOLOGIES, LLC AND SHOULD NOT BE USED WITHOUT WRITTEN PERMISSION			
$\frac{F}{A} = 0$	DIMENSION UNITS	SCALE	CURRENT REV DESC: INSERT AND OVM MATERIAL CHANGE	
$\frac{F}{E} = 0$	mm	1:1	<p>EC NO: 651030  DRWN: MKOWALCZYK01 2020/04/27  CHK'D: ASZELAG 2020/12/09  APPR: DSTACHOWIAK 2020/12/10</p> <p>INITIAL REVISION:  DRWN: MKOWALCZYK01 2018/09/07  APPR: MMATLA 2018/09/11</p>	
$\frac{F}{P} = 0$	GENERAL TOLERANCES (UNLESS SPECIFIED)			
	ANGULAR TOL	± °		
	4 PLACES	±		
	3 PLACES	±		
DIVISIONAL SYMBOLS	2 PLACES	± 0.05	PRODUCT CUSTOMER DRAWING	
	1 PLACE	± 0.3	DOCUMENT NUMBER	
	0 PLACES	± 0.5	1300250051	
	DRAFT WHERE APPLICABLE MUST REMAIN WITHIN DIMENSIONS		THIRD ANGLE PROJECTION	DRAWING
				A4-SIZE
			SERIES	MATERIAL NUMBER
			130025	SEE PART LIST
			CUSTOMER	SHEET NUMBER
			GENERAL MARKET	2 OF 2

DOCUMENT STATUS	P1	RELEASE DATE	2020/12/10	07:46:39
-----------------	----	--------------	------------	----------

6

5

4

3

2

1

MATERIAL NUMBER	ENGINEERING NUMBER	FINISHED LENGTH
1300250048	DN11A-M003	0.3M [1FT]
1300250652	DN11A-M050H	5M [16 FT 5IN]
1300250133	DN11A-T100	100M [328FT 1IN]
1300250596	DN11A-T200	200M [656FT 2IN]

### PART NO. MATRIX

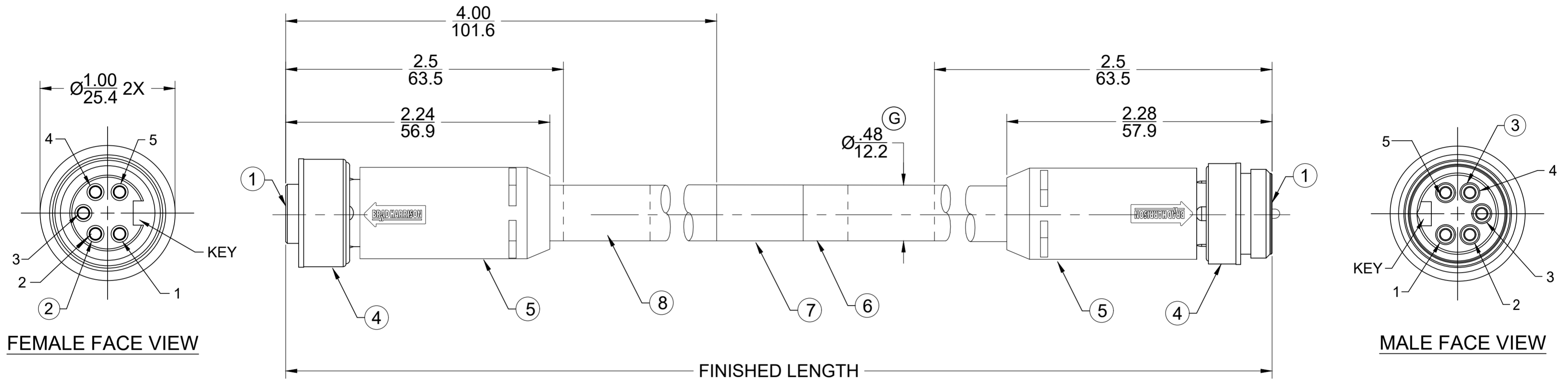
**DN11A-M003H**

FINISHED LENGTH:  
M005= 0.5 METER  
M010= 1 METER  
M100= 10 METER  
T100= 100 METER  
T200= 200 METER

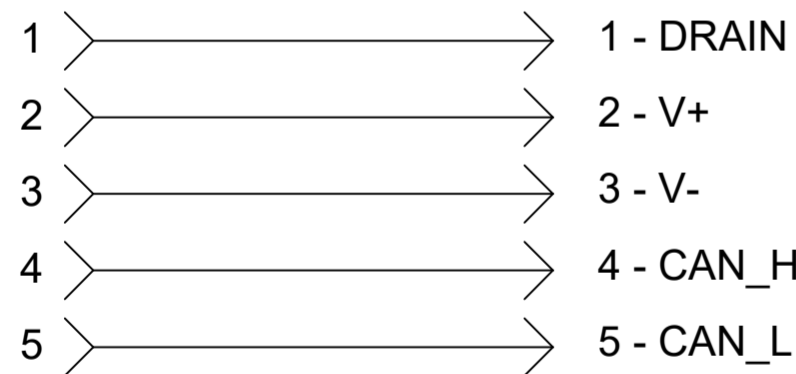
**ID CARRIER**

H - SEE NOTE 9  
BLANK - NO ID CARRIER

CABLE LENGTH TOLERANCES	
<.3M [1FT]:	+19mm-0 [ +.75in-0]
.3 - .9M [1 - 3FT]:	+44.5mm-0 [+1.75in-0]
.9 - 1.8M [3 - 6FT]:	+55.6mm-0 [+2.19in-0]
1.8 - 3.7M [6 - 12FT]:	+88.9mm-0 [+3.50in-0]
3.7 - 7.3M [12 - 24FT]:	+165.1mm-0 [+6.50in-0]
7.3-14.6M [24 - 48FT]:	+317.5mm-0 [+12.50in-0]
14.6 - 30.5M [48-100FT]:	+622.3mm-0 [+24.50in-0]
OVER 30M [100FT]	+2% OF FINISHED LENGTH

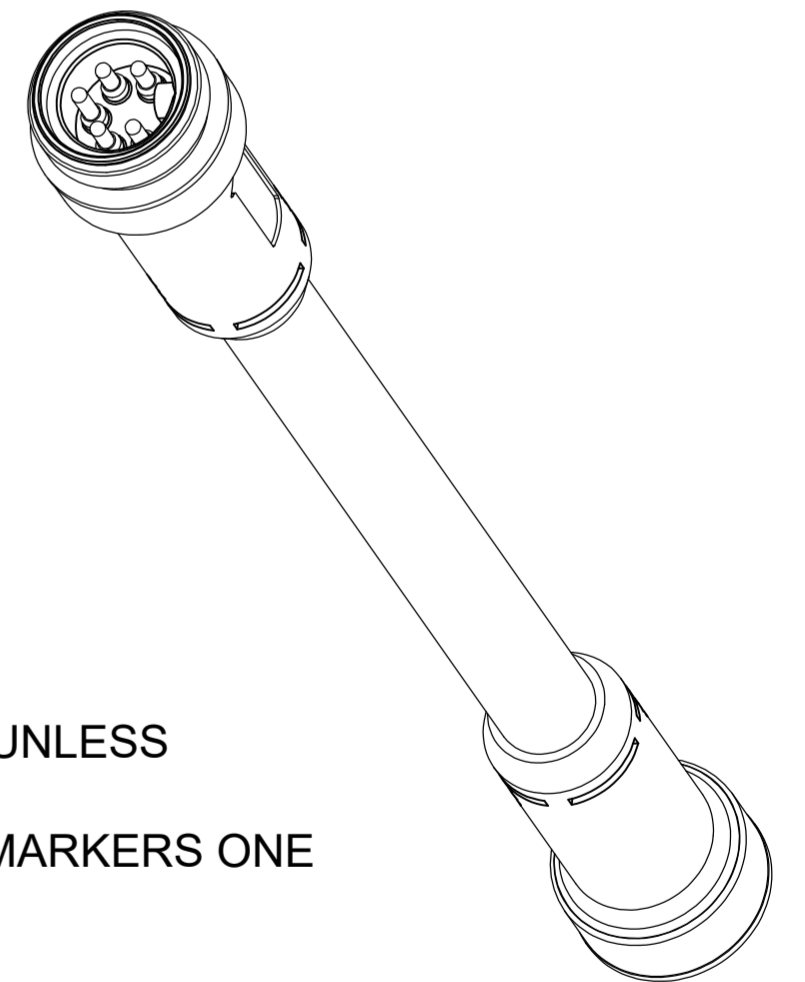


#### SCHEMATIC



#### NOTES:

1. MATERIAL: AS NOTED
2. FINISH: AS NOTED
3. ELECTRICAL:  
VOLTAGE RATING PER IEC 60664: 300V  
VOLTAGE RATING PER UL: 300V  
CURRENT: 8A
4. TEMP RATING: -20° TO +60°C
5. PROTECTION: IP67 (WHEN MATED)
6. COUPLING THREAD: 7/8-16
7. UL RECOGNIZED FILE: E152210  
CSA CERTIFIED FILE: LR6837
8. ALL DIMENSIONS ARE FOR REFERENCE UNLESS TOLERANCED OR NOTED OTHERWISE
9. PART NUMBERS WITH "H" HAVE TWO ID MARKERS ONE ON EACH END



ITEM	COMPONENT	MATERIAL	FINISH
1	INSERTS	TPE	GRAY
2	CONTACT SOCKET	COPPER ALLOY	GOLD OVER NICKEL
3	CONTACT PIN	COPPER ALLOY	GOLD OVER NICKEL
4	COUPLING NUTS	ZINC DIE CAST	BLACK E-COATED
5	OVERMOLDS	TPE	GRAY
6	TRUNK CABLE 2TPR CORD 15/18AWG	PVC	GRAY
7	LABEL	VINYL	BLACK/YELLOW
8	ID CARRIER	PVC	CLEAR

THIS DRAWING CONTAINS INFORMATION THAT IS PROPRIETARY TO MOLEX ELECTRONIC TECHNOLOGIES, LLC AND SHOULD NOT BE USED WITHOUT WRITTEN PERMISSION													
FUNCTIONAL SYMBOLS	DIMENSION UNITS	SCALE	CURRENT REV DESC: ITEM# 1 & 5 WERE PVC. UPDATED TEMP RATING. ADDED CABLE DIA. MODIFIED MATERIAL NUMBER TABLE										
	INCH/MM	NTS	EC NO: 645633 DRWN: ABENJAMINLW 2020/09/02 CHK'D: RSTONE 2020/09/29 APPR: BWOODMAN 2020/10/23 INITIAL REVISION: DRWN: BWOODMAN 2009/03/16 APPR: JFMURPHY 2009/03/31										
GENERAL TOLERANCES (UNLESS SPECIFIED)													
DIVISIONAL SYMBOLS	mm		INCH		DOCUMENT NUMBER							DOC TYPE/DOC PART REVISION	
	4 PLACES	±----	±----	SD-130025-001							PSD 001 G		
	3 PLACES	±----	±----	MATERIAL NUMBER							SEE CHART		
	2 PLACES	±----	±----	CUSTOMER							GENERAL MARKET		
1 PLACE		±----	±----	SERIES							130025		
0 PLACES		±----	±----	SHEET NUMBER							1 OF 1		
ANGULAR TOL ± ---- °				THIRD ANGLE PROJECTION		DRAWING		C-SIZE					
DRAFT WHERE APPLICABLE MUST REMAIN WITHIN DIMENSIONS													

# Mouser Electronics

Authorized Distributor

Click to View Pricing, Inventory, Delivery & Lifecycle Information:

[Molex:](#)

[1300250124](#)