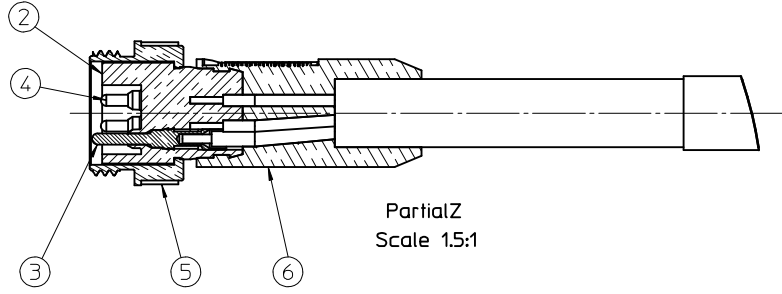
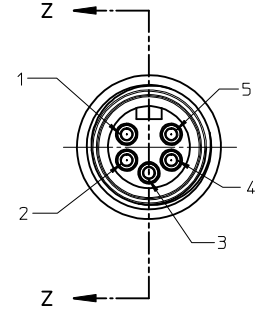
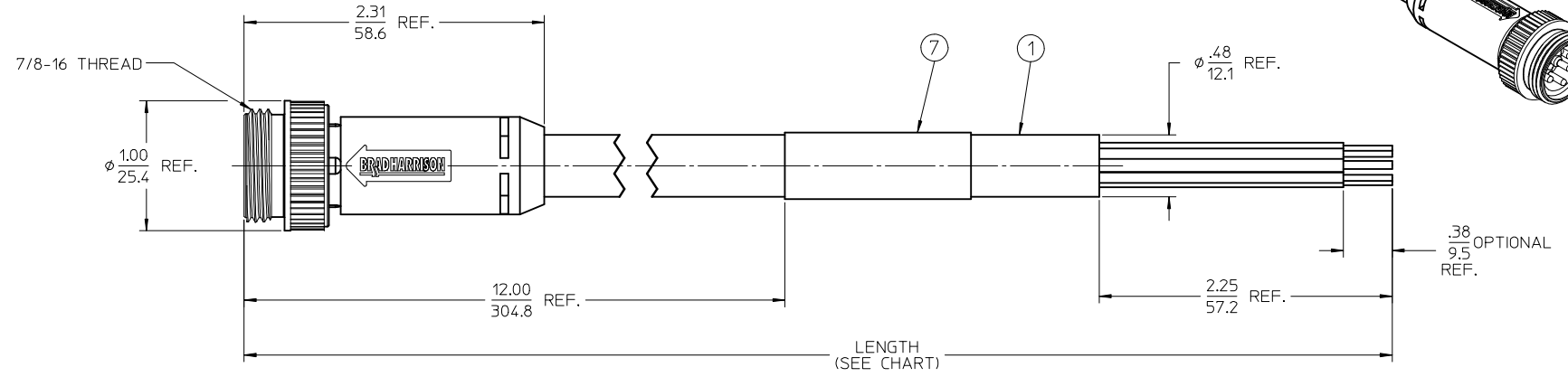
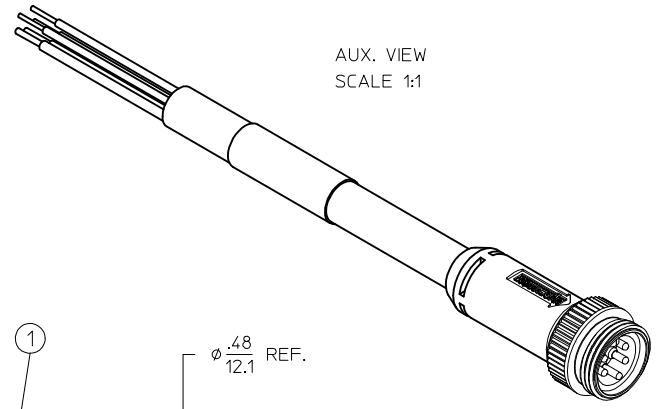


PART NUMBER	ENGINEERING NO.	LENGTH
1300240028	DN01A-M010	3' 3" +2.19 - 0 [1.0M +55.6 - 0]
1300240031	DN01A-M020	6' 7" +3.50 - 0 [2.0M +88.9 - 0]
1300240032	DN01A-M030	9' 10" +3.50 - 0 [3.0M +88.9 - 0]
1300240034	DN01A-M050	16' 5" +6.50 - 0 [5.0M +165.1 - 0]



Partial Z
Scale 1.5:1

P1	
1	DRAIN
2	RED +V
3	BLACK -V
4	WHITE CAN H
5	BLUE CAN L

WIRING DIAGRAM

- NOTES:
1. MATERIAL: SEE TABLE
 2. FINISHES: SEE TABLE
 3. CABLE ASSEMBLIES ARE BAGGED SEPARATELY IN POLY BAGS WITH BARCODE LABEL ATTACHED TO OUTSIDE OF BAG
 4. WRAP LABEL IS MARKED WITH P/N, DATE CODE VOLTAGE & AMPERAGE
 5. MATES WITH: MINI CHANGE, A-SIZE 5 POLE RECEPTACLE
 6. ELECTRICAL SPECIFICATIONS:
VOLTAGE RATING: 300V
CURRENT RATING: 4 AMPS
 7. ASSEMBLY IS RoHS COMPLIANT

ITEM	QTY.	DESCRIPTION	MATERIAL	FINISH
7	1	LABEL	VINYL	BLACK/YELLOW
6	1	OVERMOLD	PVC	GRAY
5	1	COUPLING NUT	ZINC DIE CAST	BLACK
4	3	CONTACT PIN, 18 AWG	BRASS	GOLD PLATED
3	2	CONTACT PIN, 16 AWG	BRASS	GOLD PLATED
2	1	INSERT, MALE, 5 POLE	PVC	GRAY
1	1	CABLE, DEV-NET, TRUNK, 18/2, 15/2	PVC JACKET	GRAY

ADD P/N 1300240031	2013/06/07
EC NO: IFG2013-1904	2013/06/11
DRWR:RSTONE	CHKD:BW
APPR:BMWOODMAN	2013/07/24

QUALITY SYMBOLS	GENERAL TOLERANCES (UNLESS SPECIFIED)
▽=0	mm INCH
▽=0	4 PLACES ± --- ± ---
	3 PLACES ± --- ± ---
	2 PLACES ± --- ± .01
	1 PLACE ± 0.3 ± ---
	ANGULAR ± 1/2°
	DRAFT WHERE APPLICABLE MUST REMAIN WITHIN DIMENSIONS

DIMENSION STYLE	SCALE	DESIGN UNITS	THIRD ANGLE PROJECTION
IN/MM	1.5:1	INCH	
DRAWN BY	DATE	TITLE	
R.STONE	2009/04/24	MINI-CHANGE 5 POLE, MALE DEV-NET CORD ASSEMBLY	
CHECKED BY	DATE	APPROVED BY	
B. WOODMAN	2009/04/27	J. MURPHY	
MATERIAL NO.	DATE	DATE	
SEE CHART	2009/04/29	2009/04/29	

MOLEX INCORPORATED		DOCUMENT NO.	SHEET NO.
SD-130024-001			1 OF 1
THIS DRAWING CONTAINS INFORMATION THAT IS PROPRIETARY TO MOLEX INCORPORATED AND SHOULD NOT BE USED WITHOUT WRITTEN PERMISSION			

Mouser Electronics

Authorized Distributor

Click to View Pricing, Inventory, Delivery & Lifecycle Information:

[Molex:](#)

[1300240028](#) [1300240032](#) [1300240034](#) [1300240031](#)