

PART NUMBER	ENGINEERING NUMBER	FINISH LENGTH
1300060217	103000A01F030	3.00 FT [0.9M]
1300060221	103000A01F060	6.00 FT [1.8M]
1300060229	103000A01F090	9.00 FT [2.7M]
1300060232	103000A01F120	12.00 FT [3.7M]
1300060237	103000A01F150	15.00 FT [4.6M]
1300060241	103000A01F200	20.00 FT [6.1M]
1300060246	103000A01F250	25.00 FT [7.6M]
1300060250	103000A01F300	30.00 FT [9.1M]
1300060253	103000A01F350	35.00 FT [10.7M]
1300060254	103000A01F400	40.00 FT [12.2M]

PART NUMBER	ENGINEERING NUMBER	FINISH LENGTH
1300060268	103000A01M050	5M [16 FT 5 IN]
1300060270	103000A01M300	30M [98 FT 5 IN]

PART NUMBER LEGEND

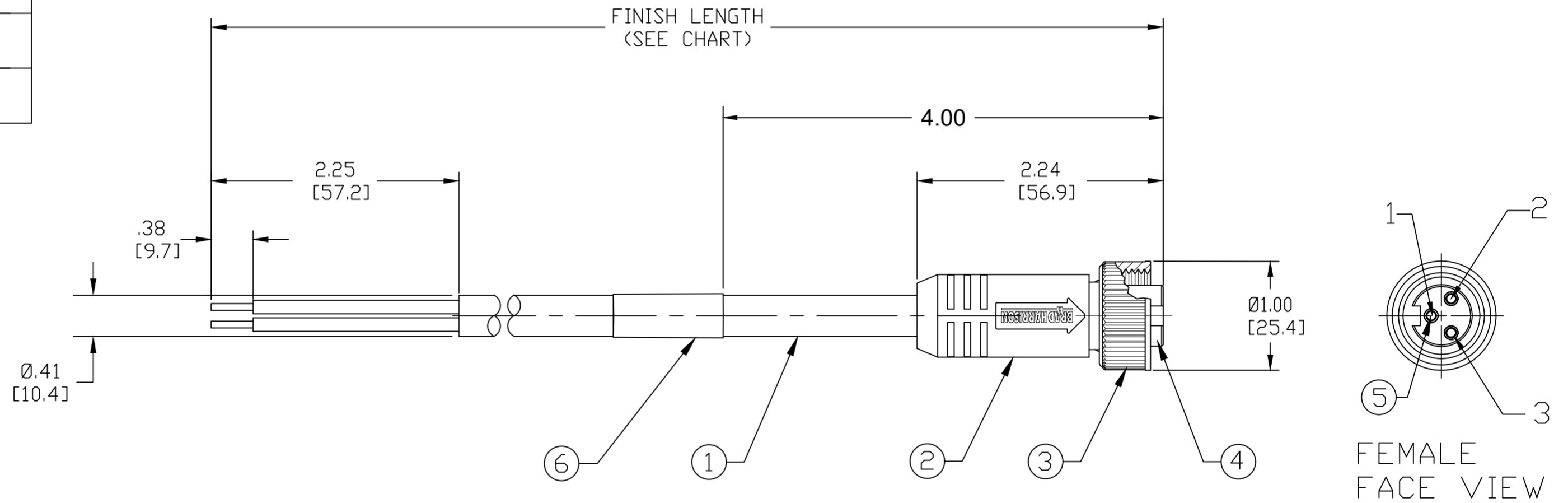
103000A01F030

FINISHED LENGTH:
 F020= 2 FEET
 M005= 0.5 METER
 M010= 1.0 METER
 M100= 10.0 METERS

CABLE LENGTH TOLERANCES

>.3M [1FT]:	+19mm-0 [+1.75in-0]
.3 - .9M [1 - 3FT]:	+44.5mm-0 [+1.75in-0]
.9 - 1.8M [3 - 6FT]:	+55.6mm-0 [+2.19in-0]
1.8 - 3.7M [6 - 12FT]:	+88.9mm-0 [+3.50in-0]
3.7 - 7.3M [12 - 24FT]:	+165.1mm-0 [+6.50in-0]
7.3-14.6M [24 - 48FT]:	+317.5mm-0 [+12.50in-0]
14.6 - 30.5M [48-100FT]:	+622.3mm-0 [+24.50in-0]
OVER 30M [100FT]	+2% OF FINISHED LENGTH

- NOTES:**
- MATERIAL: AS NOTED
 - FINISH: AS NOTED
 - ELECTRICAL:
 VOLTAGE: 500V PER IEC 60664 ©
 600V PER UL 2238 ©
 CURRENT: 13A
 - TEMP RATING: -20°C TO +105°C
 - PROTECTION: IP67 (WHEN MATED)
 - COUPLING THREAD: 7/8-16 UN
 - UL RECOGNIZED FILE: E152210
 CSA CERTIFIED FILE: LR6837
 - ALL DIMS ARE FOR REFERENCE UNLESS TOLERANCED OR NOTED OTHERWISE ©



MC CONNECTOR

GREEN/YELLOW-GRD	1
BLACK	2
WHITE	3

WIRING DIAGRAM

ITEM	QTY.	DESCRIPTION	MATERIAL	FINISH
6	1	LABEL	VINYL	BLACK/YELLOW
5	3	CONTACT SOCKET	COPPER ALLOY	GOLD PLATED
4	1	INSERT	TPE ©	YELLOW
3	1	COUPLING NUT	ZINC DIE CAST	BLACK
2	1	OVERMOLD	TPE ©	YELLOW
1	1	CABLE, 16AWG-3 TYPE ST00W	PVC	YELLOW

THIS DRAWING CONTAINS INFORMATION THAT IS PROPRIETARY TO MOLEX ELECTRONIC TECHNOLOGIES, LLC AND SHOULD NOT BE USED WITHOUT WRITTEN PERMISSION											
FUNCTIONAL SYMBOLS	DIMENSION UNITS	SCALE	CURRENT REV DESC: INSERT AND O-MOLD WAS PVC, UPDATED NOTES FOR IEC AND REF. DIMS								
	INCH/MM	1:1	molex MINI CHANGE ASSEMBLY 3-POLE FEMALE ST 16/3AWG PVC								
	GENERAL TOLERANCES (UNLESS SPECIFIED)										
	mm		INCH								
DIVISIONAL SYMBOLS	4 PLACES	±----	±----	EC NO: 639458							
	3 PLACES	±----	±----	DRWN: RSTONE 2020/06/11							
	2 PLACES	±----	±----	CHK'D: MZIELINSKI 2020/06/12							
	1 PLACE	±----	±----	APPR: BWOODMAN 2020/06/15							
	0 PLACES	±----	±----	INITIAL REVISION:							
ANGULAR TOL ± ---- °		THIRD ANGLE PROJECTION		DRAWING		SERIES		MATERIAL NUMBER		CUSTOMER	
DRAFT WHERE APPLICABLE MUST REMAIN WITHIN DIMENSIONS		C-SIZE		130006		2009/07/10		SD-130006-008		GENERAL MARKET	
						2009/08/10		PSD 001		C	
										SHEET NUMBER	
										1 OF 1	

Mouser Electronics

Authorized Distributor

Click to View Pricing, Inventory, Delivery & Lifecycle Information:

Molex:

[1300060232](#) [103000A01F120](#)