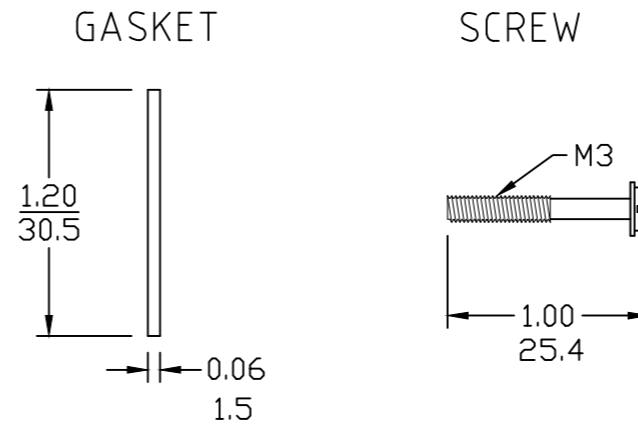


PART NUMBER	ENGINEERING NUMBER	FINISH LENGTH	CABLE MATERIAL
1211810033	E130D4A23M010	3 FT 3 IN [1M]	PVC, BLACK
1211810035	E130D4A23M020	6 FT 7 IN [2M]	
1211810036	E130D4A23M030	9 FT 10 IN [3M]	

DIN ACCESSORIES



CABLE LENGTH TOLERANCES	
>.3M [1FT]:	+19mm-0 [+ .75in-0]
.3 - .9M [1 - 3FT]:	+44.5mm-0 [+1.75in-0]
.9 - 1.8M [3 - 6FT]:	+55.6mm-0 [+2.19in-0]
1.8 - 3.7M [6 - 12FT]:	+88.9mm-0 [+3.50in-0]
3.7 - 7.3M [12 - 24FT]:	+165.1mm-0 [+6.50in-0]
7.3-14.6M [24 - 48FT]:	+317.5mm-0 [+12.50in-0]
14.6 - 30.5M [48-100FT]:	+622.3mm-0 [+24.50in-0]
OVER 30M [100FT]:	+2% OF FINISHED LENGTH

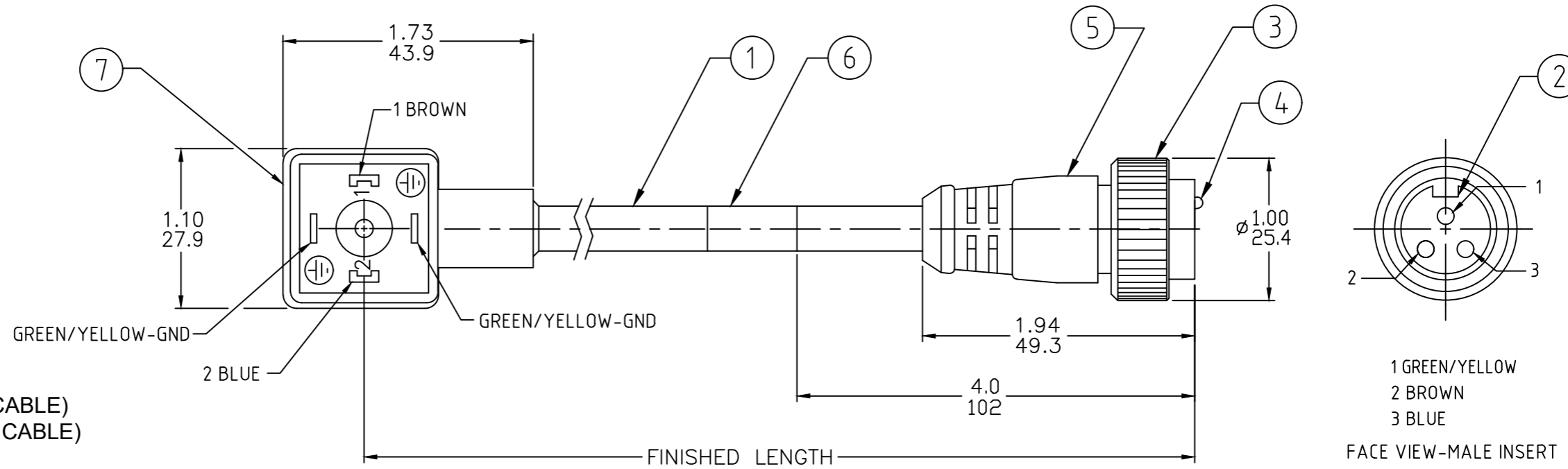
PART NUMBER LEGEND

E130D4A23M010

CABLE MAT: A23: PVC
P12: PUR

FINISHED LENGTH:
M005= 0.5 METER
M010= 1.0 METER
M100= 10 METER

- NOTES:
1. MATERIAL: AS NOTED
 2. FINISH: AS NOTED
 3. ELECTRICAL:
VOLTAGE: 115V, 5A
 4. TEMP RATING: -15°C TO +70°C (PVC CABLE)
(DYNAMIC) -15°C TO +90°C (PUR CABLE)
 5. PROTECTION: IP65 (WHEN MATED)
 6. COUPLING THREAD: 7/8-16UN
 7. ALL DIMS ARE FOR REFERENCE UNLESS NOTED OR TOLERANCED OTHERWISE



ITEM	DESCRIPTION	MATERIAL	FINISH
7	DIN CONNECTOR	PVC	BLACK
6	WRAP LABEL	VINYL	BLACK/YELLOW
5	OVERMOLD	TPE	YELLOW
4	CONTACT PIN	COPPER ALLOY	GOLD PLATED
3	COUPLING, FEMALE	ZINC DIE-CAST	BLACK
2	MALE INSERT (A-SIZE)	TPE	YELLOW
1	CABLE 3X0.75MM ² (18AWG)	SEE P/N TABLE	SEE P/N TABLE

FUNCTIONAL SYMBOLS	THIS DRAWING CONTAINS INFORMATION THAT IS PROPRIETARY TO MOLEX ELECTRONIC TECHNOLOGIES, LLC AND SHOULD NOT BE USED WITHOUT WRITTEN PERMISSION		CURRENT REV DESC: INITIAL RELEASE		
	$F=0$ $E=0$ $P=0$	DIMENSION UNITS: INCH/MM	SCALE: 1:1	EC NO: 641840	
DIVISIONAL SYMBOLS	GENERAL TOLERANCES (UNLESS SPECIFIED)		DRWN: RSTONE 2020/07/20	CHK'D: MZIELINSKI 2020/07/20	1211810033
	4 PLACES ±----	3 PLACES ±----	APPR: BWOODMAN 2020/07/28	INITIAL REVISION:	
	2 PLACES ±----	1 PLACE ±----	DRWN: RSTONE 2020/06/02	APPR: BWOODMAN 2020/07/28	DOCUMENT NUMBER: 1211810033
	0 PLACES ±----	ANGULAR TOL ± 0.5°	DRAFT WHERE APPLICABLE MUST REMAIN WITHIN DIMENSIONS	THIRD ANGLE PROJECTION	DOC TYPE: PSD
				DRAWING: B-SIZE	SHEET NUMBER: 1 OF 1
				SERIES: 121181	CUSTOMER: GENERAL MARKET

Mouser Electronics

Authorized Distributor

Click to View Pricing, Inventory, Delivery & Lifecycle Information:

[Molex:](#)

[1211810023](#)