

PLEASE CHECK WWW.MOLEX.COM FOR LATEST PART INFORMATION

Part Number: [1210230464](#)

Status: **Active**

Overview: mPm DIN Valve Connectors

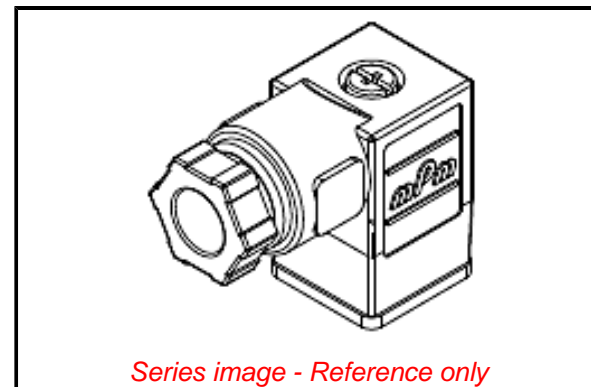
Description: mPm DIN Valve Connector, Form C-Micro 9.4mm, PG7 Internal Threads, 3 Pole Plus Ground Terminal, 250V AC/300V DC, Black, Nitrile Gasket and Screw, Bulk Pack Mounted

Documents:

[Drawing \(PDF\)](#)

[RoHS Certificate of Compliance \(PDF\)](#)

[Packaging Specification PK-121023-C19-001 \(PDF\)](#)



Series image - Reference only

Agency Certification

UL E218123

General

Product Family Field Attachable / Accessories
 Series [121023](#)
 Form C - Micro 9.4mm
 IP Rating IP65, IP67
 Material - Contact Brass
 Overview [mPm DIN Valve Connectors](#)
 Product Name mPm
 Type Field Attachable Connector
 UPC 883906249076

Physical

Cable Diameter N/A
 Coupling Type Internal Thread
 Diagnostics / LEDs No
 Diagnostics Port No
 Gender N/A
 Keyway None
 Material - Connector Body Polypropylene
 Material - Coupling Nut N/A
 Material - Plating Mating Silver
 Net Weight 11.553/g
 Orientation 90° Angle
 Pitch - Mating Interface 9.40mm
 Poles 3
 Temperature Range - Operating -40°C to +90°C
 Wire Size AWG N/A

Electrical

Current - Maximum per Contact 16.0A
 Voltage - Maximum 250V AC / 300V DC

Material Info

Engineering Number C19307N21

Reference - Drawing Numbers

Packaging Specification PK-121023-C19-001
 Sales Drawing SD-121023-005-001

EU ELV

Not Relevant

EU RoHS

Compliant with Exemption 6(c)

REACH SVHC

Contained Per - D(2020)9139-DC (19 Jan 2021)

Lead

Halogen-Free

Status

Low-Halogen

For more information, please visit [Contact US](#)

China ROHS

50 Image

ELV

Not Relevant

RoHS Phthalates

Not Contained

Search Parts in this Series

[121023 Series](#)

Mouser Electronics

Authorized Distributor

Click to View Pricing, Inventory, Delivery & Lifecycle Information:

[Molex:](#)

[121023-0464](#)