

PLEASE CHECK WWW.MOLEX.COM FOR LATEST PART INFORMATION

Part Number: [1210130233](#)
Status: **Active**
Overview: mPm DIN Valve Connectors
Description: mPm DIN Base, Form A-18mm, B28 Base, 3 Pole Plus Ground Terminal, 250V AC/300V DC, Black, Nitrile Gasket with Screw, UL94-V0 Rated

Documents:

[Drawing \(PDF\)](#) [Test Summary STR-1467-001 \(PDF\)](#)
[Packaging Specification PK-121012-B28-001 \(PDF\)](#) [RoHS Certificate of Compliance \(PDF\)](#)

Agency Certification

UL E218123

General

Product Family Field Attachable / Accessories
Series [121013](#)
Form A - 18mm
IP Rating IP65, IP67
Material - Contact Brass
Overview [mPm DIN Valve Connectors](#)
Product Name mPm
Type Field Attachable Connector
UPC 884982414105

Physical

Cable Diameter N/A
Coupling Type N/A
Diagnostics / LEDs No
Diagnostics Port No
Gender N/A
Keyway None
Material - Connector Body Polypropylene
Material - Coupling Nut N/A
Material - Plating Mating Silver
Orientation Straight
Pitch - Mating Interface 18.00mm
Poles 3
Temperature Range - Operating -40°C to +125°C
Wire Size AWG N/A

Electrical

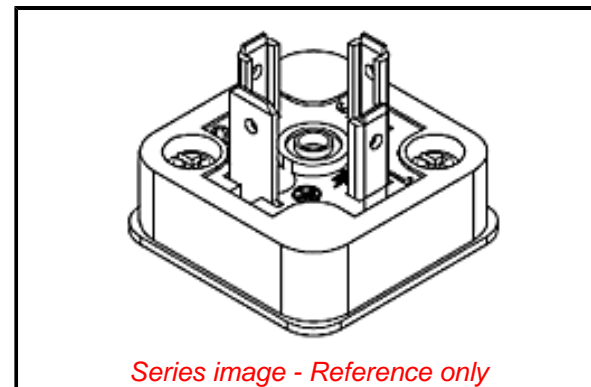
Current - Maximum per Contact 16.0A
Voltage - Maximum 250V AC / 300V DC

Material Info

Engineering Number B283000W2SA

Reference - Drawing Numbers

Packaging Specification PK-121012-B28-001
Sales Drawing SD-121012-003
Test Summary STR-1467-001



Series image - Reference only

EU ELV

Not Relevant

EU RoHS

Not Reviewed

REACH SVHC

Not Reviewed

Halogen-Free

Status

Not Reviewed

For more information, please visit [Contact US](#)

China ROHS

Not Reviewed

ELV

Not Relevant

RoHS Phthalates

Not Reviewed

Search Parts in this Series

[121013 Series](#)

Mouser Electronics

Authorized Distributor

Click to View Pricing, Inventory, Delivery & Lifecycle Information:

[Molex:](#)

[1210130233](#)