

PLEASE CHECK WWW.MOLEX.COM FOR LATEST PART INFORMATION

Part Number: [1210130199](#)
Status: **Active**
Overview: mPm DIN Valve Connectors
Description: mPm DIN Base, Form A-18mm, B28 Base, 2 Pole Plus Ground Terminal, 250V AC/300V DC, Black, Nitrile Gasket with Screw, UL94-V0 Rated

Documents:

[Drawing \(PDF\)](#) [Test Summary STR-1467-001 \(PDF\)](#)
[Packaging Specification PK-121012-B28-001 \(PDF\)](#) [RoHS Certificate of Compliance \(PDF\)](#)

General

Product Family	Field Attachable / Accessories
Series	121013
Form	A - 18mm
IP Rating	IP65, IP67
Material - Contact	Brass
Overview	mPm DIN Valve Connectors
Product Name	mPm
Type	Field Attachable Connector
UPC	78172503074

Physical

Cable Diameter	N/A
Coupling Type	N/A
Diagnostics / LEDs	No
Diagnostics Port	No
Gender	N/A
Keyway	None
Material - Connector Body	Polypropylene
Material - Coupling Nut	N/A
Material - Plating Mating	Silver
Orientation	Straight
Pitch - Mating Interface	18.00mm
Poles	2
Temperature Range - Operating	-40°C to +125°C
Wire Size AWG	N/A

Electrical

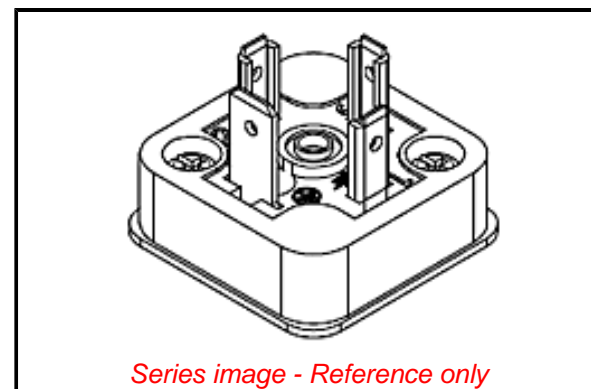
Current - Maximum per Contact	16.0A
Voltage - Maximum	250V AC / 300V DC

Material Info

Engineering Number	B282000W2SA
--------------------	-------------

Reference - Drawing Numbers

Packaging Specification	PK-121012-B28-001
Sales Drawing	SD-121012-003
Test Summary	STR-1467-001



Series image - Reference only

EU ELV

Not Relevant

EU RoHS

Not Reviewed

REACH SVHC

Not Reviewed

Halogen-Free

Status

Not Reviewed

For more information, please visit [Contact US](#)

China ROHS

Not Reviewed

ELV

Not Relevant

RoHS Phthalates

Not Reviewed

China RoHS

Search Parts in this Series

[121013 Series](#)

Mouser Electronics

Authorized Distributor

Click to View Pricing, Inventory, Delivery & Lifecycle Information:

[Molex:](#)

[1210130199](#)