

**PLEASE CHECK WWW.MOLEX.COM FOR LATEST PART INFORMATION**

**Part Number:** [1201095002](#)  
**Status:** **Active**  
**Overview:** Brad Industrial Ethernet Solutions  
**Description:** Ultra-Lock (M12) Ethernet Receptacle, 4 Poles, FPM M16, Female (Straight), , D-Code, 0.050m (1.97") Length

**Documents:**

[Drawing \(PDF\)](#) [RoHS Certificate of Compliance \(PDF\)](#)

**General**

Product Family	Industrial Receptacles
Series	<a href="#">120109</a>
IP Rating	IP67
NEMA Rating	NEMA 6
Overview	<a href="#">Brad Industrial Ethernet Solutions</a>
Product Name	Ultra-Lock (M12)
Type	Single Ended (pigtail)
UPC	883906436834

**Physical**

Coupling Type	Internal Thread
Gender	Female
Keyway	D-coded
Length	0.050m
Material - Component	Nickel-plated Brass
Mounting Thread Size	M16 x 1.5
Net Weight	22.679/g
Orientation	Straight
Panel Mount	N/A
Poles	4
Temperature Range - Operating	N/A
Wire Size AWG	22
Wire/Cable Type	N/A

**Electrical**

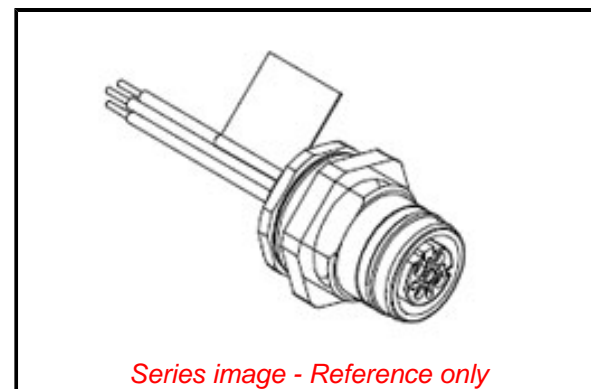
Current - Maximum per Contact	4.0A
Voltage - Maximum	250V

**Material Info**

Engineering Number	ERWAAU7000C050
--------------------	----------------

**Reference - Drawing Numbers**

Sales Drawing	SD-120109-002-001
---------------	-------------------



*Series image - Reference only*

**EU ELV**

**Not Relevant**

**EU RoHS**

**Compliant with Exemption 6(c)**

**REACH SVHC**

Contained Per -  
D(2020)9139-DC (19  
Jan 2021)

Lead

**Halogen-Free**

**Status**

**Not Low-Halogen**

For more information, please visit [Contact US](#)

China ROHS

50 Image

ELV

Not Relevant

RoHS Phthalates

Not Contained

**Search Parts in this Series**

[120109 Series](#)

**Mates With**

Ultra Lock M12 Cordsets

# Mouser Electronics

Authorized Distributor

Click to View Pricing, Inventory, Delivery & Lifecycle Information:

[Molex:](#)

[120109-5002](#)