

F

E

D

C

B

A

F

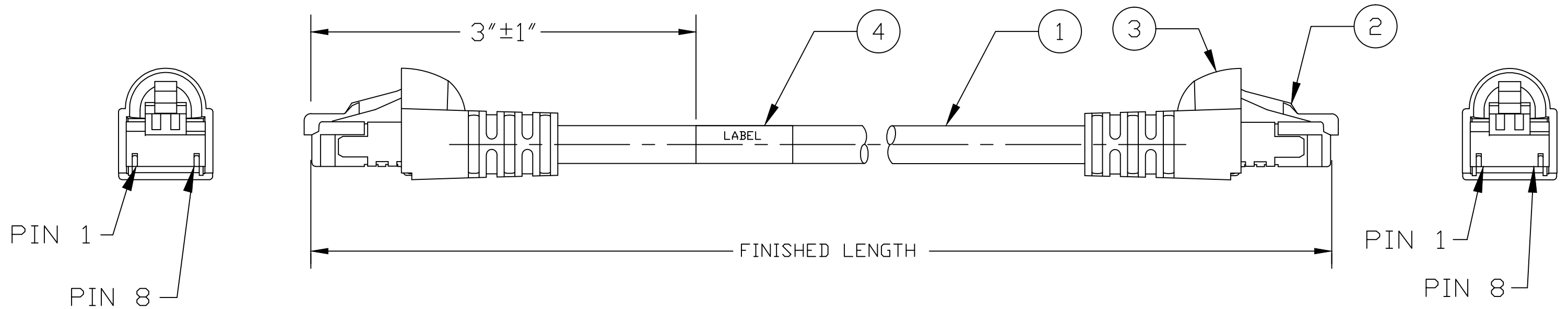
E

D

C

B

A

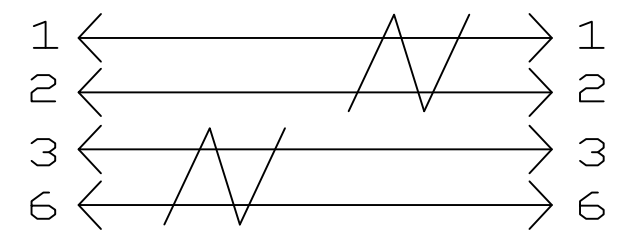


PART NUMBER LEGEND

(B)

E66A06004M005

LENGTH
 M005= 0.5 X LENGTH
 M010= 1.0 X LENGTH
 M100= 10.0 X LENGTH



(B)

CABLE LENGTH TOLERANCES

>.3M [1FT]:	+19mm-0 [+1.75in-0]
.3 - .9M [1 - 3FT]:	+44.5mm-0 [+1.75in-0]
.9 - 1.8M [3 - 6FT]:	+55.6mm-0 [+2.19in-0]
1.8 - 3.7M [6 - 12FT]:	+88.9mm-0 [+3.50in-0]
3.7 - 7.3M [12 - 24FT]:	+165.1mm-0 [+6.50in-0]
7.3-14.6M [24 - 48FT]:	+317.5mm-0 [+12.50in-0]
14.6 - 30.5M [48-100FT]:	+622.3mm-0 [+24.50in-0]
OVER 30M [100FT]	+2% OF FINISHED LENGTH

NOTES:

1. MATERIALS: AS NOTED
2. FINISHES: AS NOTED
3. PACKAGING: PARTS ARE PLACED IN CLEAR POLY BAG WITH BAR-CODE LABEL ATTACHED
4. TIA/EIA RATING: CAT 5E
5. TEMPERATURE RATING: -20°C TO 75°C
6. JACKET RESISTANCE: WELD SLAG, SUN & OIL

(B)

PART NO.	ENGINEERING NO.	FINISHED LENGTH
1201080687	E66A06004M005	0.5M [1'8"]
1201080557	E66A06004M010	1.0M [3'3"]
1201080561	E66A06004M100	10.0M [6'7"]

ITEM	QTY	COMPONENT	MATERIAL	FINISH
4	1	WRAP LABEL	VINYL	BLACK/YELLOW
3	2	BOOT (HOODED)	POLYOLEFIN	BLACK
2	2	RJ45 PLUG	PHOS BRNZ & PC	GOLD PLATE & CLEAR
1	1	CABLE, 24 AWG, 2 PAIR	TPE JACKET	TEAL

CORRECTED PIN LEGEND
 EC NO: IPG2019-0537
 DRWN: RSTONE 6/4/19
 CHKD: C CHRAST 2019/06/06
 APPR: BWOODMAN 2015/04/10

QUALITY SYMBOLS
 ▽=0
 ▽C=0

GENERAL TOLERANCES (UNLESS SPECIFIED)

	mm	INCH
4 PLACES	±---	±---
3 PLACES	±---	±---
2 PLACES	±---	±.01
1 PLACE	±---	±---

ANGULAR ±---°

DRAFT WHERE APPLICABLE MUST REMAIN WITHIN DIMENSIONS

DIMENSION STYLE
INCH

DRAWN BY: RSTONE DATE: 2015/04/06
 CHECKED BY: B ARDEN DATE: 2015/04/08
 APPROVED BY: KJOZWIK DATE: 2015/04/10

MATERIAL NO. -

SIZE **B**

SCALE ---
 DESIGN UNITS INCH
 THIRD ANGLE PROJECTION

TITLE
**MALE/MALE RJ45 CORDSET
 2PR 10 BASE-T
 24 AWG TEAL TPE CABLE**

MOLEX INCORPORATED

DOCUMENT NO. SD-120108-080
 SHEET NO. 1 OF 1

THIS DRAWING CONTAINS INFORMATION THAT IS PROPRIETARY TO MOLEX INCORPORATED AND SHOULD NOT BE USED WITHOUT WRITTEN PERMISSION

Mouser Electronics

Authorized Distributor

Click to View Pricing, Inventory, Delivery & Lifecycle Information:

[Molex:](#)

[1201080613](#)