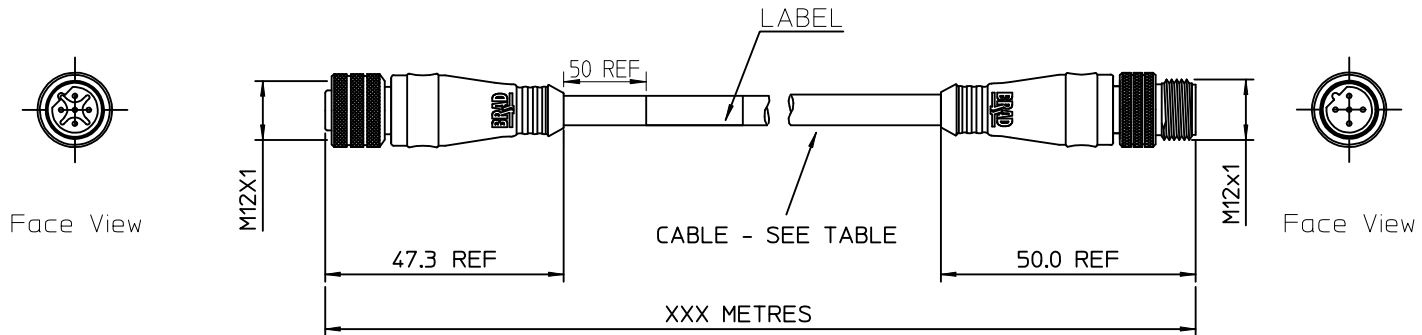
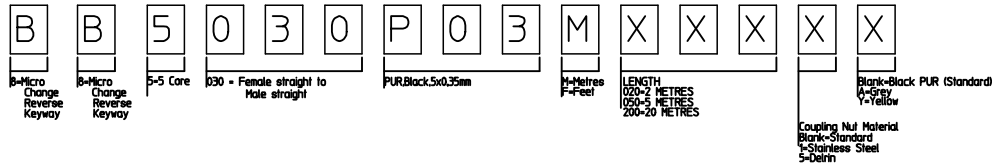


| Table of length tolerances |                     |               |
|----------------------------|---------------------|---------------|
| Over                       | Up to and including | Tolerance     |
| 0                          | 305                 | +19           |
| 305                        | 915                 | +45           |
| 915                        | 1830                | +56           |
| 1830                       | 3660                | +89           |
| 3660                       | 7320                | +165          |
| 7320                       | 14640               | +317          |
| 14640                      | 30500               | +610          |
| 30500                      | >                   | +2% of length |

| CHART 1    |                |       |
|------------|----------------|-------|
| MOLEX PN   | ENGINEERING PN | L(mm) |
| 1200988066 | BB5030P03M003  | 300   |
| 1200988067 | BB5030P03M005  | 500   |
| 1200988063 | BB5030P03M006  | 600   |
| 1200988062 | BB5030P03M007  | 700   |
| 1200988068 | BB5030P03M008  | 800   |
| 1200980042 | BB5030P03M010  | 1000  |
| 1200988031 | BB5030P03M020  | 2000  |
| 1200988059 | BB5030P03M030  | 3000  |
| 1200988060 | BB5030P03M040  | 4000  |
| 1200988032 | BB5030P03M050  | 5000  |
| 1200988061 | BB5030P03M060  | 6000  |
| 1200988069 | BB5030P03M070  | 7000  |
| 1200988070 | BB5030P03M080  | 8000  |

PART No MATRIX



Specification.

- Insert Material - PUR (30% Glass Filled)
- Contact Material - Brass (CuZn36)
- Contact Plating - 2um Ni, 0.70um Gold
- Coupling Nuts - See Table
- Seal - Viton O-Ring
- Protection Class - IP68
- Voltage Rating - 300V
- Contact Current Rating - 4 Amps
- Overmoulding - PUR
- Cable,PUR,Black,5 x 0.34mm

|   |                               |                                       |                             |   |                               |   |                        |                        |  |  |
|---|-------------------------------|---------------------------------------|-----------------------------|---|-------------------------------|---|------------------------|------------------------|--|--|
| ORIGINAL RELEASE<br>EC NO: IPG2014-1452<br>DRWN:FGAIK 2014/02/12<br>CHKD:MSZWAJKOWSKI 2014/02/12<br>APPR:MIWASIECZKO 2014/02/13 | QUALITY SYMBOLS<br>▽=0<br>◻=0 | GENERAL TOLERANCES (UNLESS SPECIFIED) |                             | DIMENSION STYLE<br>MM ONLY  |                               | SCALE<br>---                            | DESIGN UNITS<br>METRIC | THIRD ANGLE PROJECTION |  |  |
|   |                               | mm                                    | INCH                        | DRAWN BY<br>FGAIK   | DATE<br>2014/02/12            | TITLE<br>MMC-5P-AC(E)-F/MM-ST/ST-XM-PUR |                        |                        |  |  |
|   |                               | 4 PLACES ± --- ± ---                  | 3 PLACES ± --- ± ---        | CHECKED BY<br>MSZWAJKOWSKI  | DATE<br>2014/02/12            |   |                        |                        |  |  |
|   |                               | 2 PLACES ± 0.05 ± ---                 | 1 PLACE ± 0.3 ± ---         | APPROVED BY<br>MIWASIECZKO  | DATE<br>2014/02/13            |   |                        |                        |  |  |
| 0 PLACE ± 0.5 ± ---   | ANGULAR ± 1 °                 |                                       | MATERIAL NO.<br>SEE CHART 1 |   | DOCUMENT NO.<br>SD-120098-044 |   | SHEET NO.<br>1 OF 1    |                        |  |  |
| DRAFT WHERE APPLICABLE MUST REMAIN WITHIN DIMENSIONS  |                               | SIZE<br>A3                            |                             | THIS DRAWING CONTAINS INFORMATION THAT IS PROPRIETARY TO MOLEX INCORPORATED AND SHOULD NOT BE USED WITHOUT WRITTEN PERMISSION |                               |   |                        |                        |  |  |

# Mouser Electronics

Authorized Distributor

Click to View Pricing, Inventory, Delivery & Lifecycle Information:

[Molex:](#)

[1200988059](#)