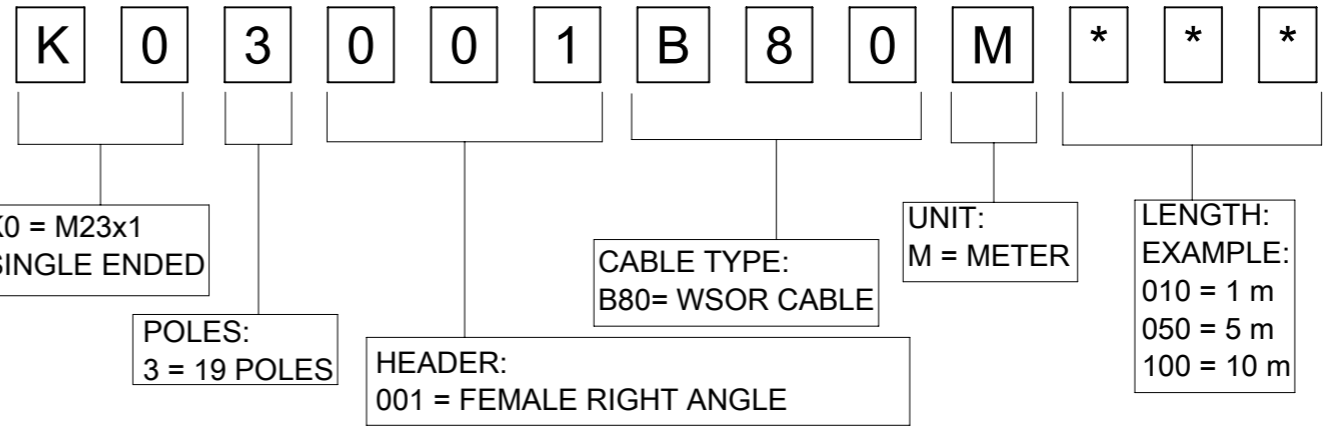


Wiring Diagram

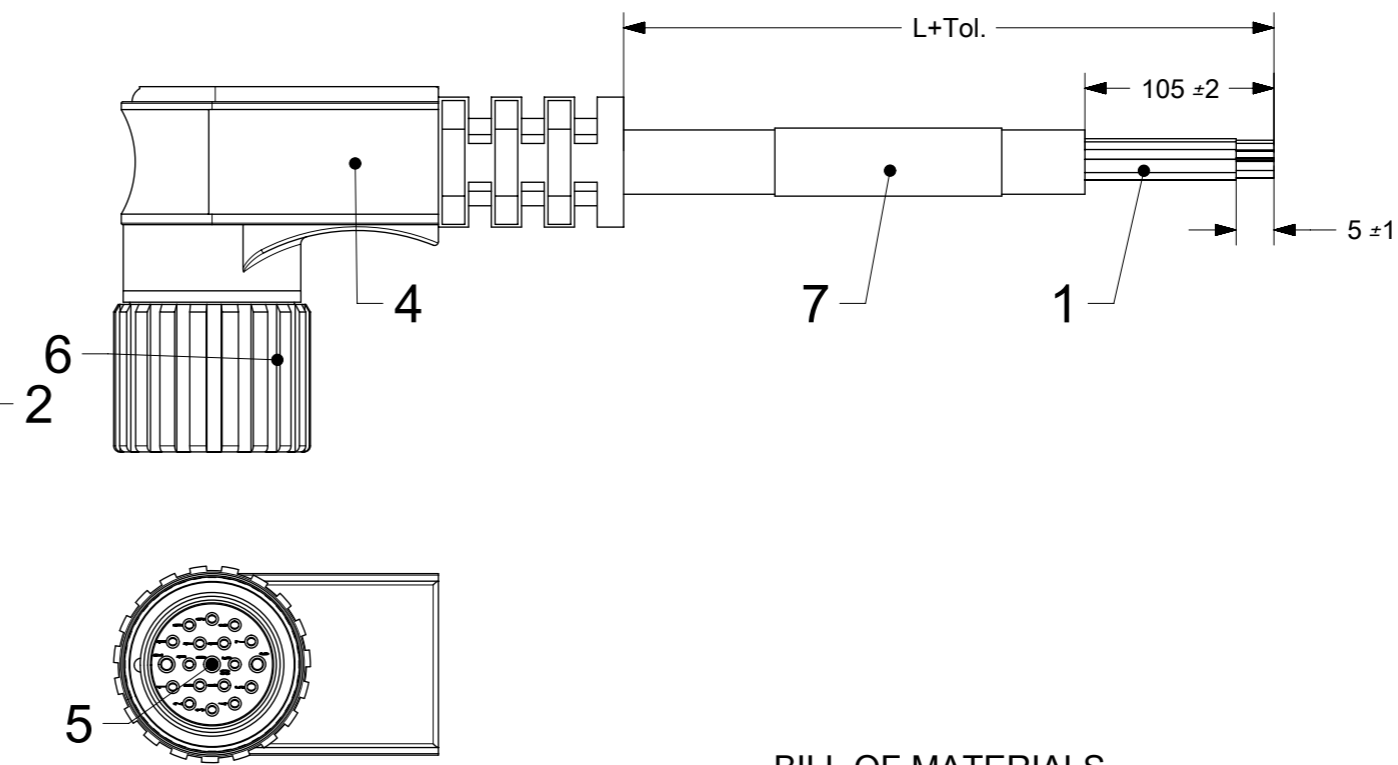
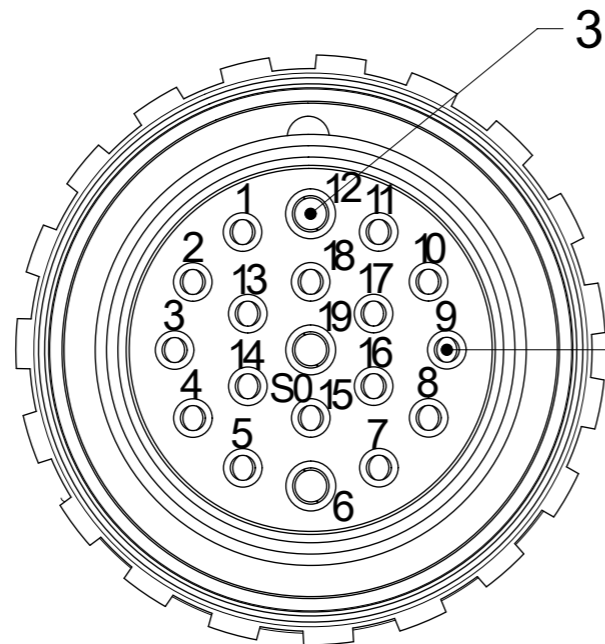
CHANGES SEE REVISION MARKING B WIRING DIAGRAM

PART NO MATRIX



- 1 Violet
- 2 Red
- 3 Gray
- 4 Red/Blue
- 5 Green
- 6 Blue
- 7 Gray/Pink
- 8 White/Green
- 9 White/Yellow
- 10 White/Gray
- 11 Black
- 12 Green/Yellow
- 13 Yellow/Brown
- 14 Brown/Green
- 15 White
- 16 Yellow
- 17 Pink
- 18 Gray/Brown
- 19 Brown

Connector Pin Assignment for M23 19 Pole Front Side View



CABLE SPECIFICATION:

CONDUCTOR A:
 MATERIAL: BARE COPPER
 SECTION: 0.75mm²/19AWG
 STRANDING: 42X0.15mm

INSULATION A:
 COMPOUND: TPE
 DIAMETER: 1.75±0.10mm

CONDUCTOR B:
 MATERIAL: BARE COPPER
 SECTION: 0.34mm²/22AWG
 STRANDING: 42X0.10mm

INSULATION B:
 COMPOUND: TPE
 DIAMETER: 1.30±0.10mm

JACKET:
 COMPOUND: TPU
 COLOR: BLACK
 DIAMETER: 10.50±0.30mm

TEMPERATURE RATING: -40°C TO +90°C
 VOLTAGE RATING: 600V

Scale : 3:1

View From The Front Side

BILL OF MATERIALS

QTY	DESCRIPTION	MATERIAL	FINISH
7 1	STANDARD WRAP LABEL	Vinyl	Yellow
6 1	M23 Female coupling nut	Brass	Nickel Plated
5 1	M23 Female insert 19P	TPU	Black
4 1	Overmould	TPU	Black
3 3	Contacts	Brass	Nickel Plated
2 16	Contacts	Bronze	Nickel Plated
1 L	CABLE:3X19AWG+16X22AWG	TPU WSOR	Black

Table 1

Molex P/N	Engineering P/N	Length L[mm]	Tol.[mm]
1200948161	K03001B80M010	1000	+40
1200948162	K03001B80M050	5000	+60
1200948163	K03001B80M100	10000	+80
1200948164	K03001B80M150	15000	+140
1200948165	K03001B80M200	20000	+140
1200948166	K03001B80M250	25000	+160
1200948167	K03001B80M300	30000	+160

THIS DRAWING CONTAINS INFORMATION THAT IS PROPRIETARY TO MOLEX ELECTRONIC TECHNOLOGIES, LLC AND SHOULD NOT BE USED WITHOUT WRITTEN PERMISSION

SYMBOLS: DIMENSION UNITS: mm SCALE: 1:1

GENERAL TOLERANCES (UNLESS SPECIFIED): ANGULAR TOL ± °

CURRENT REV DESC: EC NO: 177844
 DRWN: MCELEJEWSKI 2018/06/08
 CHK'D: MIWASIECZKO 2018/06/08
 APPR: MIWASIECZKO 2018/06/08

INITIAL REVISION: DRWN: MMAJGAT 2016/04/15
 APPR: MIWASIECZKO 2016/08/02

THIRD ANGLE PROJECTION: DRAWING: A3-SIZE SERIES: 120094

molex
 CSE M23 19P FE RA WSOR XM SE
 PRODUCT CUSTOMER DRAWING

DOCUMENT NUMBER: 1200948161 DOC TYPE: PSD DOC PART: 00P REVISION: B1

MATERIAL NUMBER: CUSTOMER: SHEET NUMBER: 1 OF 1

Mouser Electronics

Authorized Distributor

Click to View Pricing, Inventory, Delivery & Lifecycle Information:

[Molex:](#)

[1200948163](#)